



Product:
ADF P100v2

Edit date 2016-04-06

Number of pages 8

=ADF P100v2/001



This document is the sole property of Comsys AB and may not without the written consent of the owner be copied, transmitted or otherwise disclosed to any third party

Doc. Rev. Hist.

ADF P100v2
 Title page / cover sheet

Doc/Drawing no: 100383	Date: 2016-04-06	Revision: REV 01
Document type: Design Doc	Design: MaKr	Approval: AlTh
File name: ADF P100v2	Page: 000	

Connection list

Connection	Source	Wire termination Source	Target	Wire termination Target	Cross-section	Color	Length	Page / column 1	Page / column 2	Function definition
	+CM100-3W-X4:1		+CM100-3W-X4:2					+CM100-3W/011.5	+CM100-3W/011.5	Saddle jumper
001	+CM100-3W-X10:L1		+PEM-3W-Z101:U1					+CM100-3W/011.0	+PEM-3W/021.4	Conductor / wire Comsys article
002	+CM100-3W-X10:L2		+PEM-3W-Z101:V1					+CM100-3W/011.0	+PEM-3W/021.4	Conductor / wire Comsys article
003	+CM100-3W-X10:L3		+PEM-3W-Z101:W1					+CM100-3W/011.0	+PEM-3W/021.4	Conductor / wire Comsys article
004	+CM100-3W-F501:2	Wire ferrule 8mm	+CM100-3W-Z101:U1	Wire ferrule 8mm	AWG16	White	370 mm	+CM100-3W/011.2	+CM100-3W/011.2	Conductor / wire UL-AVLV 2/8, 600V, 105°C
005	+CM100-3W-X1:1:1	Wire ferrule 10mm	+CM100-3W-Z101:U2	Wire ferrule 8mm	AWG16	White	400 mm	+CM100-3W/011.3	+CM100-3W/011.2	Conductor / wire UL-AVLV 2/8, 600V, 105°C
006	+CM100-3W-F501:4	Wire ferrule 8mm	+CM100-3W-Z101:V1	Wire ferrule 8mm	AWG16	White	360 mm	+CM100-3W/011.2	+CM100-3W/011.2	Conductor / wire UL-AVLV 2/8, 600V, 105°C
007	+CM100-3W-X2:1:1	Wire ferrule 10mm	+CM100-3W-Z101:V2	Wire ferrule 8mm	AWG16	White	400 mm	+CM100-3W/011.3	+CM100-3W/011.2	Conductor / wire UL-AVLV 2/8, 600V, 105°C
008	+CM100-3W-F501:6	Wire ferrule 8mm	+CM100-3W-Z101:W1	Wire ferrule 8mm	AWG16	White	350 mm	+CM100-3W/011.2	+CM100-3W/011.2	Conductor / wire UL-AVLV 2/8, 600V, 105°C
009	+CM100-3W-X3:1:1	Wire ferrule 10mm	+CM100-3W-Z101:W2	Wire ferrule 8mm	AWG16	White	400 mm	+CM100-3W/011.4	+CM100-3W/011.2	Conductor / wire UL-AVLV 2/8, 600V, 105°C
010	+CM100-3W-PE2:2	Blade female crimp terminal 6,3x0,8	+CM100-3W-Z101:PE	Ring crimp terminal M6	AWG16	Green/Yellow	190 mm	+CM100-3W/011.3	+CM100-3W/011.3	Conductor / wire UL-AVLV 2/8, 600V, 105°C
011	+CM100-3W-SCC2:X4:1	Wire ferrule 7mm	+CM100-3W-X1:1:2	Wire ferrule 10mm	AWG16	White	330 mm	+CM100-3W/012.5	+CM100-3W/011.3	Conductor / wire UL-AVLV 2/8, 600V, 105°C
012	+CM100-3W-K500:1	Wire ferrule 10mm	+CM100-3W-X1:1:3	Wire ferrule 10mm	AWG16	White	150 mm	+CM100-3W/011.3	+CM100-3W/011.3	Conductor / wire UL-AVLV 2/8, 600V, 105°C
013	+CM100-3W-T101:P1	Wire ferrule 7mm	+CM100-3W-X1:1:4	Wire ferrule 10mm	AWG16	White	350 mm	+CM100-3W/011.5	+CM100-3W/011.3	Conductor / wire UL-AVLV 2/8, 600V, 105°C
014	+CM100-3W-SCC2:X4:3	Wire ferrule 7mm	+CM100-3W-X2:1:3	Wire ferrule 10mm	AWG16	White	310 mm	+CM100-3W/012.6	+CM100-3W/011.3	Conductor / wire UL-AVLV 2/8, 600V, 105°C
015	+CM100-3W-K500:3	Wire ferrule 10mm	+CM100-3W-X2:1:2	Wire ferrule 10mm	AWG16	White	110 mm	+CM100-3W/011.3	+CM100-3W/011.3	Conductor / wire UL-AVLV 2/8, 600V, 105°C
016	+CM100-3W-T101:P2	Wire ferrule 7mm	+CM100-3W-X2:1:4	Wire ferrule 10mm	AWG16	White	320 mm	+CM100-3W/011.5	+CM100-3W/011.3	Conductor / wire UL-AVLV 2/8, 600V, 105°C
017	+CM100-3W-K500:2	Wire ferrule 10mm	+CM100-3W-X8:1	Mini fit male crimp terminal	AWG16	White	320 mm	+CM100-3W/011.3	+CM100-3W/011.8	Conductor / wire UL-AVLV 2/8, 600V, 105°C
018	+CM100-3W-K500:4	Wire ferrule 10mm	+CM100-3W-X8:3	Mini fit male crimp terminal	AWG16	White	310 mm	+CM100-3W/011.3	+CM100-3W/011.8	Conductor / wire UL-AVLV 2/8, 600V, 105°C
019	+CM100-3W-SCC2:X4:5	Wire ferrule 7mm	+CM100-3W-X3:1:3	Wire ferrule 10mm	AWG16	White	280 mm	+CM100-3W/012.6	+CM100-3W/011.4	Conductor / wire UL-AVLV 2/8, 600V, 105°C
020	+CM100-3W-K500:6	Wire ferrule 10mm	+CM100-3W-X8:5	Mini fit male crimp terminal	AWG16	White	300 mm	+CM100-3W/011.4	+CM100-3W/011.8	Conductor / wire UL-AVLV 2/8, 600V, 105°C
021	+CM100-3W-K500:5	Wire ferrule 10mm	+CM100-3W-X3:1:2	Wire ferrule 10mm	AWG16	White	110 mm	+CM100-3W/011.4	+CM100-3W/011.4	Conductor / wire UL-AVLV 2/8, 600V, 105°C
022	+CM100-3W-T101:S1	Wire ferrule 7mm	+CM100-3W-X4:1:1	Wire ferrule 10mm	AWG16	White	450 mm	+CM100-3W/011.5	+CM100-3W/011.5	Conductor / wire UL-AVLV 2/8, 300V, 105°C
023	+CM100-3W-G301:N	Wire ferrule 7mm	+CM100-3W-X4:1:3	Wire ferrule 10mm	AWG16	White	190 mm	+CM100-3W/011.5	+CM100-3W/011.5	Conductor / wire UL-AVLV 2/8, 300V, 105°C
024	+CM100-3W-G301:V+	Twin wire ferrule 7mm	+CM100-3W-X7:1	Mini fit male crimp terminal	AWG16	White	170 mm	+CM100-3W/011.5	+CM100-3W/011.8	Conductor / wire UL-AVLV 2/8, 300V, 105°C
025	+CM100-3W-G301:V+	Twin wire ferrule 7mm	+CM100-3W-SCC2:X1:3	Wire ferrule 7mm	AWG16	White	440 mm	+CM100-3W/011.5	+CM100-3W/012.3	Conductor / wire UL-AVLV 2/8, 300V, 105°C
026	+CM100-3W-PE1:1	Blade female crimp terminal 6,3x0,8	+CM100-3W-X4:1:2	Wire ferrule 10mm	AWG16	Green/Yellow	130 mm	+CM100-3W/011.5	+CM100-3W/011.5	Conductor / wire UL-AVLV 2/8, 300V, 105°C
027	+CM100-3W-X4:1:4	Wire ferrule 10mm	+CM100-3W-X7:4	Mini fit male crimp terminal	AWG16	White	250 mm	+CM100-3W/011.5	+CM100-3W/011.8	Conductor / wire UL-AVLV 2/8, 300V, 105°C
028	+CM100-3W-G301:V+	Wire ferrule 7mm	+CM100-3W-X7:7	Mini fit male crimp terminal	AWG16	White	170 mm	+CM100-3W/011.5	+CM100-3W/011.8	Conductor / wire UL-AVLV 2/8, 300V, 105°C
029	+CM100-3W-G301:PE	Wire ferrule 7mm	+CM100-3W-PE1:2	Blade female crimp terminal 6,3x0,8	AWG16	Green/Yellow	200 mm	+CM100-3W/011.5	+CM100-3W/011.5	Conductor / wire UL-AVLV 2/8, 300V, 105°C
030	+CM100-3W-T101:S2	Wire ferrule 7mm	+CM100-3W-X5:1:1	Wire ferrule 10mm	AWG16	White	450 mm	+CM100-3W/011.5	+CM100-3W/011.5	Conductor / wire UL-AVLV 2/8, 300V, 105°C
031	+CM100-3W-G301:L	Wire ferrule 7mm	+CM100-3W-X5:1:3	Wire ferrule 10mm	AWG16	White	180 mm	+CM100-3W/011.5	+CM100-3W/011.5	Conductor / wire UL-AVLV 2/8, 300V, 105°C
032	+CM100-3W-K701:11	Wire ferrule 7mm	+CM100-3W-X5:1:2	Wire ferrule 10mm	AWG16	White	100 mm	+CM100-3W/011.6	+CM100-3W/011.5	Conductor / wire UL-AVLV 2/8, 300V, 105°C
033	+CM100-3W-G301:V-	Wire ferrule 7mm	+CM100-3W-X4:2:1	Wire ferrule 10mm	AWG16	White	210 mm	+CM100-3W/011.5	+CM100-3W/011.5	Conductor / wire UL-AVLV 2/8, 300V, 105°C
034	+CM100-3W-X4:2:2	Wire ferrule 10mm	+CM100-3W-X7:8	Mini fit male crimp terminal	AWG16	White	300 mm	+CM100-3W/011.5	+CM100-3W/011.8	Conductor / wire UL-AVLV 2/8, 300V, 105°C
035	+CM100-3W-PE2:1	Blade female crimp terminal 6,3x0,8	+CM100-3W-T101:PE		AWG16	Green/Yellow		+CM100-3W/011.5	+CM100-3W/011.5	Conductor / wire UL-AVLV 2/8, 300V, 105°C
036	+CM100-3W-K500:A2	Wire ferrule 10mm	+CM100-3W-X4:2:3	Wire ferrule 10mm	AWG16	White	200 mm	+CM100-3W/012.1	+CM100-3W/011.5	Conductor / wire UL-AVLV 2/8, 300V, 105°C
037	+CM100-3W-K701:14	Wire ferrule 7mm	+CM100-3W-X7:3	Mini fit male crimp terminal	AWG16	White	360 mm	+CM100-3W/011.6	+CM100-3W/011.8	Conductor / wire UL-AVLV 2/8, 300V, 105°C
038	+CM100-3W-SCC2:X3:1	Wire ferrule 7mm	+CM100-3W-X7:2	Mini fit male crimp terminal	AWG16	White	460 mm	+CM100-3W/012.5	+CM100-3W/011.8	Conductor / wire UL-AVLV 2/8, 300V, 105°C
039	+CM100-3W-SCC2:X6:1	Wire ferrule 7mm	+CM100-3W-X7:9	Mini fit male crimp terminal	AWG16	White	480 mm	+CM100-3W/012.7	+CM100-3W/011.8	Conductor / wire UL-AVLV 2/8, 300V, 105°C
040	+CM100-3W-K500:A1	Wire ferrule 10mm	+CM100-3W-SCC2:X1:4	Wire ferrule 7mm	AWG16	White	480 mm	+CM100-3W/012.1	+CM100-3W/012.3	Conductor / wire UL-AVLV 2/8, 300V, 105°C
041	+CM100-3W-K500:A2	Wire ferrule 10mm	+CM100-3W-SCC2:X2:4	Twin wire ferrule 7mm	AWG16	White	340 mm	+CM100-3W/012.1	+CM100-3W/012.4	Conductor / wire UL-AVLV 2/8, 300V, 105°C
042	+CM100-3W-SCC2:I/O-BUS2		+CM100-3W-TEMPO	USB				+CM100-3W/012.3	+CM100-3W/012.1	Conductor / wire Comsys article
043	+CM100-3W-SCC2:X2:1	Wire ferrule 7mm	+CM100-3W-X11:1	Wire ferrule 10mm	AWG16	White	80 mm	+CM100-3W/012.4	+CM100-3W/012.2	Conductor / wire UL-AVLV 2/8, 300V, 105°C
044	+CM100-3W-SCC2:X2:2	Wire ferrule 7mm	+CM100-3W-X11:2	Wire ferrule 10mm	AWG16	White	80 mm	+CM100-3W/012.4	+CM100-3W/012.2	Conductor / wire UL-AVLV 2/8, 300V, 105°C
045	+CM100-3W-SCC2:X2:3	Wire ferrule 7mm	+CM100-3W-X11:3	Wire ferrule 10mm	AWG16	White	80 mm	+CM100-3W/012.4	+CM100-3W/012.2	Conductor / wire UL-AVLV 2/8, 300V, 105°C
046	+CM100-3W-SCC2:X6:2	Twin ferrule 7mm	+CM100-3W-X11:4	Wire ferrule 10mm	AWG16	White	350 mm	+CM100-3W/012.7	+CM100-3W/012.2	Conductor / wire UL-AVLV 2/8, 300V, 105°C
047	+CM100-3W-SCC2:I/O-BUS1		+PEM-3W-HMI-PIB:USB MINI B					+CM100-3W/012.3	+PEM-3W/022.6	Conductor / wire Comsys article
048	+CM100-3W-SCC2:X1:1	Wire ferrule 7mm	+CM100-3W-X11:6	Wire ferrule 10mm	AWG16	White	80 mm	+CM100-3W/012.3	+CM100-3W/012.3	Conductor / wire UL-AVLV 2/8, 300V, 105°C
049	+CM100-3W-SCC2:X1:2	Wire ferrule 7mm	+CM100-3W-X11:7	Wire ferrule 10mm	AWG16	White	80 mm	+CM100-3W/012.3	+CM100-3W/012.3	Conductor / wire UL-AVLV 2/8, 300V, 105°C
050	+CM100-3W-SCC2:X1:7	Wire ferrule 7mm	+CM100-3W-X11:12	Wire ferrule 10mm	AWG16	White	100 mm	+CM100-3W/012.3	+CM100-3W/012.4	Conductor / wire UL-AVLV 2/8, 300V, 105°C
051	+CM100-3W-SCC2:X1:8	Wire ferrule 7mm	+CM100-3W-X11:13	Wire ferrule 10mm	AWG16	White	100 mm	+CM100-3W/012.3	+CM100-3W/012.4	Conductor / wire UL-AVLV 2/8, 300V, 105°C
052	+CM100-3W-SCC2:LAN		+CM100-3W-X21:1		RJ45			+CM100-3W/012.4	+CM100-3W/012.8	Conductor / wire Comsys article
053	+CM100-3W-SCC2:X2:4	Twin wire ferrule 7mm	+CM100-3W-SCC2:X2:5	Twin wire ferrule 7mm	AWG16	White	60 mm	+CM100-3W/012.4	+CM100-3W/012.4	Conductor / wire UL-AVLV 2/8, 300V, 105°C
054	+CM100-3W-SCC2:EXT		+CM100-3W-X22:1		RJ45 to HDMI			+CM100-3W/012.4	+CM100-3W/012.9	Conductor / wire Comsys article
055	+CM100-3W-SCC2:X2:5	Twin wire ferrule 7mm	+CM100-3W-SCC2:X6:2	Twin wire ferrule 7mm	AWG16	White	300 mm	+CM100-3W/012.4	+CM100-3W/012.7	Conductor / wire UL-AVLV 2/8, 300V, 105°C
056	+CM100-3W-PE4:1	Blade female crimp terminal 6,3x0,8	+CM100-3W-X11:14	Wire ferrule 10mm	AWG16	Green/Yellow	110 mm	+CM100-3W/012.4	+CM100-3W/012.4	Conductor / wire UL-AVLV 2/8, 300V, 105°C

001

003

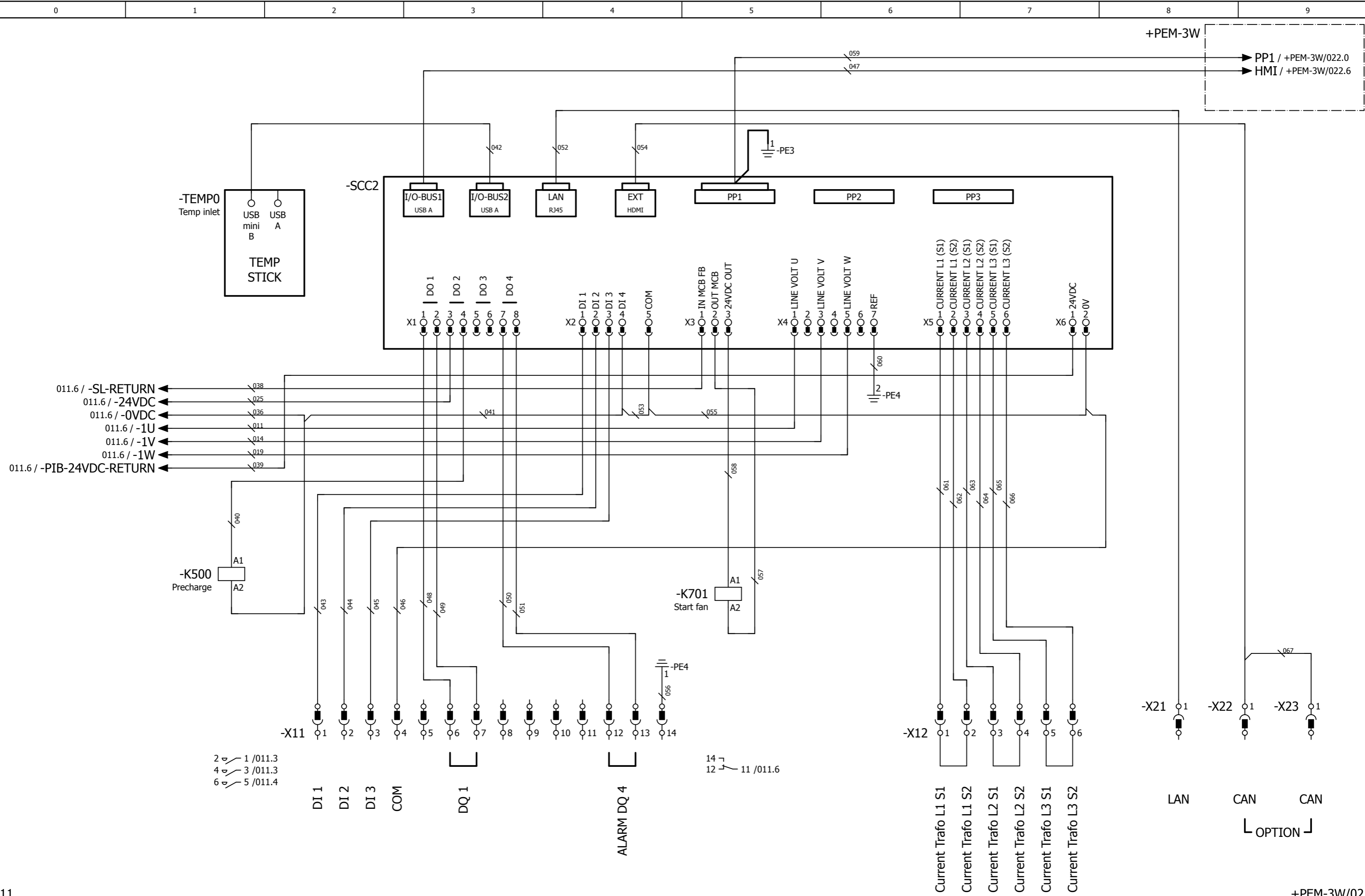


This document is the sole property of Comsys AB and may not without the written consent of the owner be copied, transmitted or otherwise disclosed to any third party

Doc. Rev. Hist.

ADF P100v2
Connection list : - 056

Doc/Drawing no: 100383	Date: 2016-04-06	Revision: REV 01
Document type: Design Doc	Design: MaKr	Approval: AlTh
File name: ADF P100v2	Page:	002



011

+PEM-3W/021

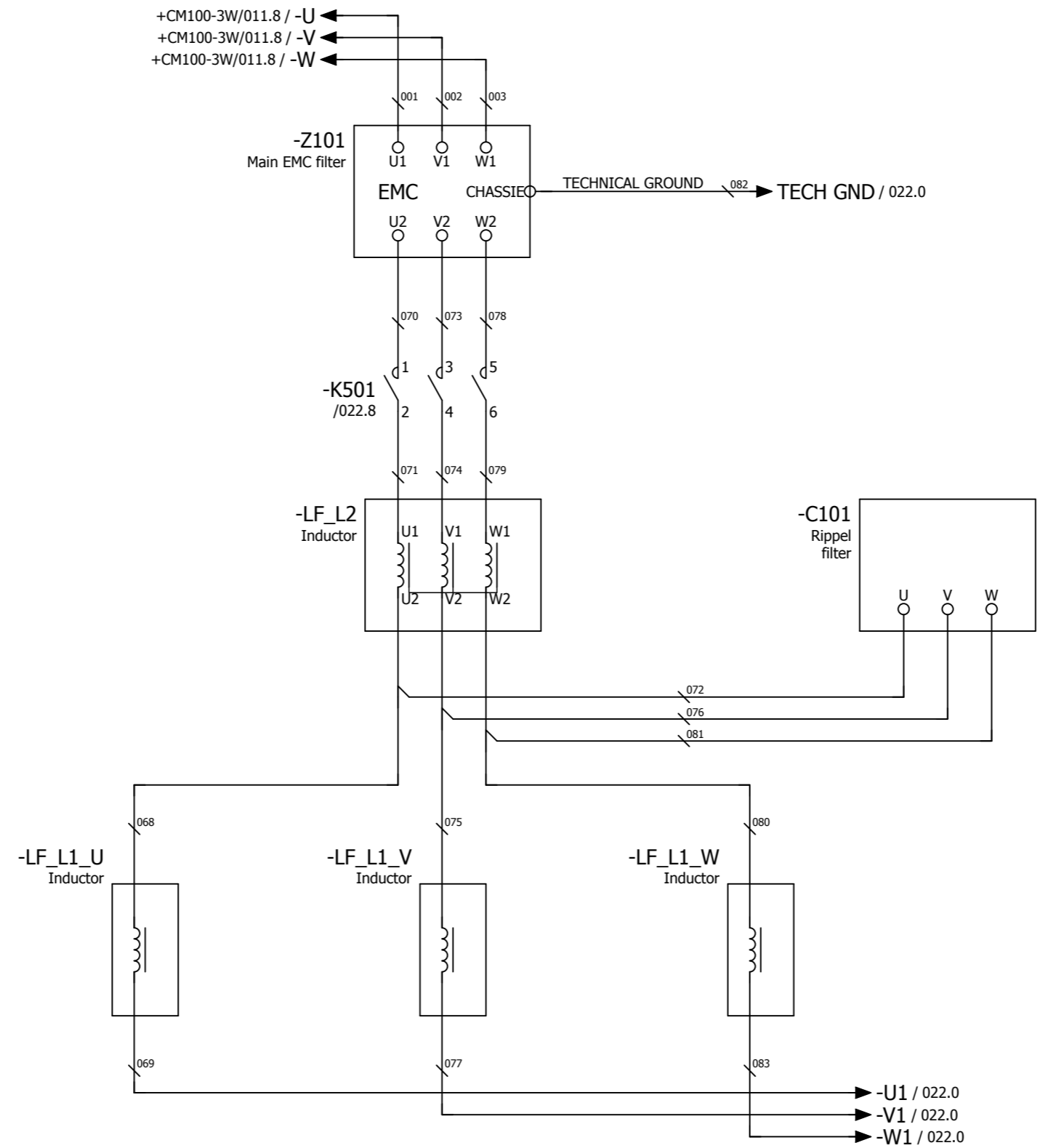


This document is the sole property of Comsys AB and may not without the written consent of the owner be copied, transmitted or otherwise disclosed to any third party

Doc. Rev. Hist.

ADF P100v2
 SCC2 P3
 CM100-3W

Doc/Drawing no: 100383	Date: 2016-04-06	Revision: REV 01
Document type: Design Doc	Design: MaKr	Approval: AlTh
File name: ADF P100v2	Page:	012

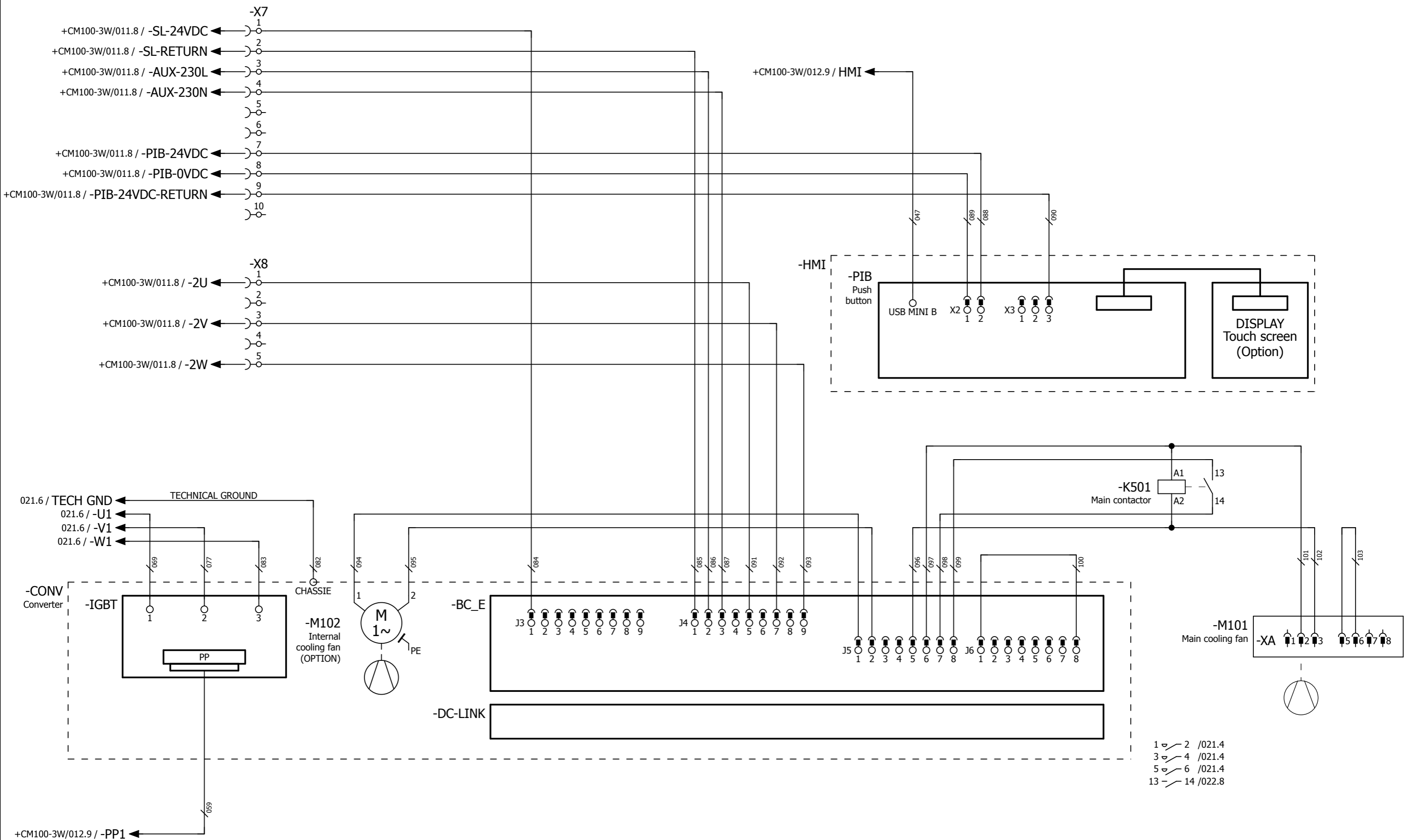


This document is the sole property of Comsys AB and may not without the written consent of the owner be copied, transmitted or otherwise disclosed to any third party

Doc. Rev. Hist.

ADF P100v2
Line Filter
PEM-3W

Doc/Drawing no: 100383	Date: 2016-04-06	Revision: REV 01
Document type: Design Doc	Design: MaKr	Approval: AlTh
File name: ADF P100v2	Page: 021	



021



This document is the sole property of Comsys AB and may not without the written consent of the owner be copied, transmitted or otherwise disclosed to any third party

Doc. Rev. Hist.

ADF P100v2
 Converter
 PEM-3W

Doc/Drawing no: 100383	Date: 2016-04-06	Revision: REV 01
Document type: Design Doc	Design: MaKr	Approval: AlTh
File name: ADF P100v2	Page: 022	