

ADF

P300, 90 – 360 A Active Dynamic Filter



- Supports Sensorless Control
- High Performance and Reliability
- Modular and Scalable Design 90 – 360 A
- Advanced Digital Control
- Easy Installation
- Insensitive to Network Conditions
- Harmonic Elimination
- Total Power Factor Correction
- Active Load Balancing
- Dynamic VAR compensation
- Sensorless operation
- Non-overloadable
- Available in 208 – 480 V and 480 – 690 V versions



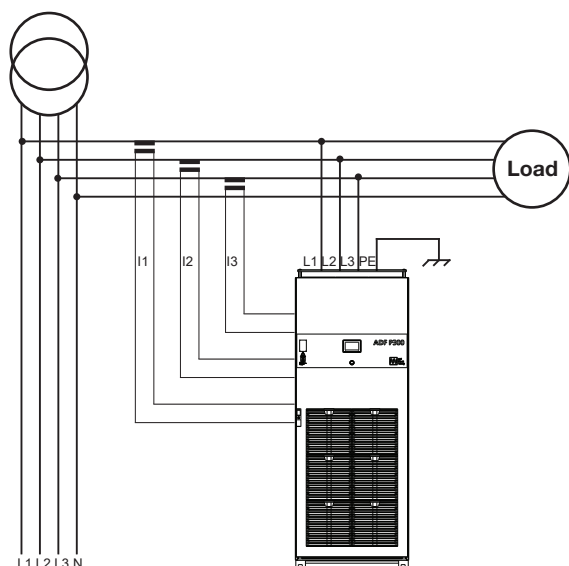
Technical Specifications

Model	ADF P300-120/480 (ADF P300-90/690)	ADF P300-240/480 (ADF P300-180/690)	ADF P300-360/480 (ADF P300-270/690)
Rated power *	83 / 100 / 94 / 108 kVA	166 / 200 / 187 / 215 kVA	249 / 299 / 281 / 323 kVA
Compensation current capacity at 50/60 Hz	120 A _{RMS} (90 A _{RMS})	240 A _{RMS} (180 A _{RMS})	360 A _{RMS} (270 A _{RMS})
System voltage (± 10 %)	480 V (208 – 480 V), 690 V (480 – 690 V)		
Nominal frequency	50/60 Hz ± 5 %		
Number of phases	3 phase 3 wire		
Connection type	3 phase without neutral (TN, TT, IT**)		
Harmonic current compensated	individual compensation up to 49 th order		
Rate of harmonic reduction	better than 98 %		
Current compensation of cos φ	up to 1.0		
Expandability	up to 15 ADF P300 units can be used in parallel		
Response time	< 1 ms		
Power dissipation 480 V (690 V)	< 2725 W (< 2969 W)	< 5325 W (< 5813 W)	< 7925 W (< 8657 W)
Maximum air flow requirement	600 m ³ /h	1200 m ³ /h	1800 m ³ /h
Noise level	< 70 dB(A)		
Environment	0 to 95 % RH non-condensing, max altitude 1000 m without derating		
Operating temperature	0 to 50 °C, up to 40 °C without derating		
Dimensions	800 x 2155 x 610 mm (W x H x D)		
Weight 480 V (690 V)	335 kg (351 kg)	472 kg (495 kg)	609 kg (639 kg)
Cabinet color	cabinet RAL 7035 (light grey), base RAL 7022 (umbra grey)		
Protection class	IP21, IP43** according to IEC 529, other ratings upon request		
Environmental conditions	chemical 3C3, mechanical 3S3		
Electromagnetic compatibility	EN55011, Class B	EN55011, Class A	
Certificates	CE, ABS, DNV GL		

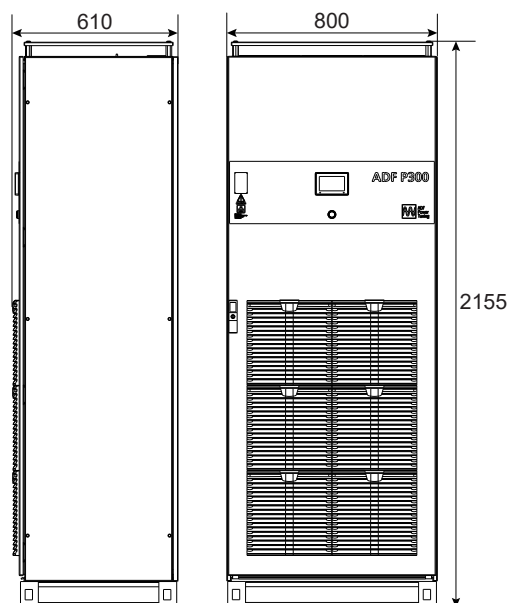
* Compensation power at 400 V / 480 V / 600 V / 690 V nominal voltage

** Option

Connection Diagram (example)



Dimensions (mm)



Comsys AB, Fältspatvägen 4, SE-224 78 Lund, Sweden
 Tel +46 10 209 6800
 info@comsys.se <http://adfpowertuning.com>

Partner: