

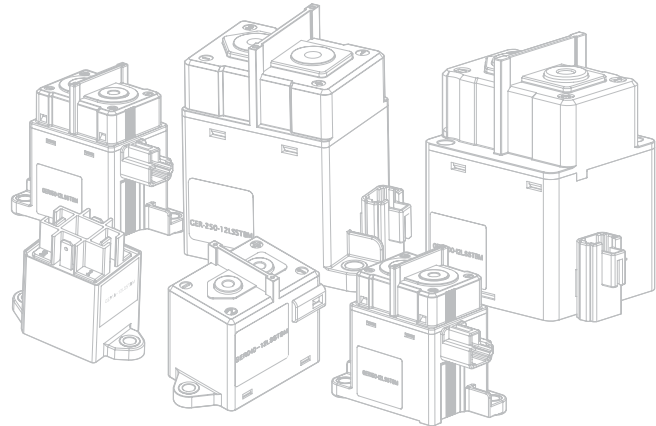


EV Relay

Technical Data

Contents

Selection Guide	03
Features	
Applications	
Model Number Structure	
Specifications	04
Detailed information	06
GER010	06
GER040	07
GER100	08
GER150	09
GER250	10
GER400	11



Precautions

SAFETY PRECAUTIONS

Specification range

Use that exceeds the specification ranges such as the coil rating, contact rating and switching life should be avoided. Doing so may lead to abnormal heating, smoke, and fire.

Installation, maintenance

Never touch live parts when power is applied to a relay. Doing so may cause electrical shock. When installing, maintaining, or trouble shooting, the power of relays and connecting parts such as terminals and sockets must be turned off.

Connection

Be warned that an incorrect connection may lead to unexpected operation error, abnormal heating, and fire.

Fail-safe

If the possibility exists that faulty adhesion or contact could endanger assets or human life, take double safety precautions and make sure that operation is foolproof.

Right Connection of HV Terminal

GER-Relays' contacts have polarity. Make sure to perform connections with the correct polarity as indicated on the frame. If the contacts are connected with the reverse polarity, the switching characteristics specified in this document cannot be assured.

Tightening Torque

Below torque guide must be followed.

M4 screw : 1.8 to 2.7 N·m

M5 screw : 3 to 4 N·m

M6 screw : 6 to 8 N·m

M8 screw : 10 to 12 N·m

Wire Size for HV connection

Model	Recommendation
GER010	2mm ²
GER040	10mm ²
GER100	35mm ²
GER150	70mm ²
GER250	150mm ²
GER400	240mm ²

USAGE AMBIENT CONDITION

To maintain initial performance, do not drop or apply physical impact to the relay.

Under normal use, the relay is designed not to be detached. To maintain initial performance, the case should not be disassembled. Relay characteristics cannot be guaranteed if the case is removed.

Magnetism

If relays are proximately installed next to each other or installed near highly-magnetized parts such as motor or speaker, the operational characteristics might get changed or malfunction can happen. Hence, please verify this point in actual installation and operational condition.

Shock

It is ideal to mount the relay that the movement of the contacts and movable parts is perpendicular to the direction of the vibration or shock. Especially, note that the vibration and shock resistance of NC contacts while the coil is not excited is greatly affected by the mounting direction of the relay. Condensation could be formed when there is a sudden change in temperature under high temperature, high humidity conditions. Note that condensation may cause deterioration of the insulation, breaking of coil, and rusting.

STORAGE, TRANSPORTATION

Transportation

Relay's functional damage may occur if strong vibration, shock or heavy weight is applied to a relay during transportation of a device in which a relay is installed. Therefore, please pack them in a way, using shock-absorbing material, so that the allowable range for vibration and shock is not exceeded.

Storage

If the relay is stored for extended periods of time (including transportation period) at high temperatures or high humidity levels or in atmospheres with organic gas or sulfide gas, sulfide film or oxide film may be formed on surface of the contacts, which may cause contact instability, contact failure and functional failure. Please check the atmosphere in which the units are to be stored and transported.

Selection Guide

Features

1. Compact Design

Achieved overall compact size with short gap cutoff, charged with Hydrogen and Nitrogen Gas.

2. Proven Safety

High Short-time short circuit current with stand value.

3. Superior Reliability

Excellent performance with electrical and mechanical endurances.

4. Customizable

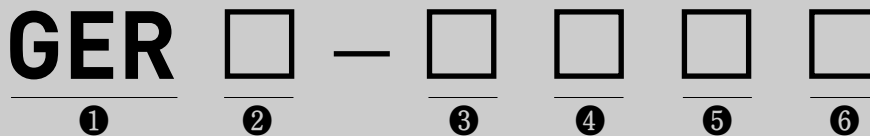
Relays are customizable to meet customers' requirements such as mounting position, etc.

Applications

High DC voltage applications such as

- Electric Vehicle
- Hybrid Vehicle
- Renewable Energy Storage
- Battery Charging System
- Fuel Cell & Solar System
- General-purpose Industrial Equipments

Model Number Structure



① Component	② Contact Rating	③ Coil Voltage	④ Customer	⑤ Model	⑥ Mount Type
G : Global E : Electric Vehicle R : Relay	010 : 10A 040 : 40A 100 : 100A 150 : 150A 250 : 250A 400 : 400A	12 : 12V DC 24 : 24V DC	LS	ST	SM : Side Mount BM : Bottom Mount PI : Plug-In type

GER010 / 040 / 100 / 150 / 250 / 400



Model	GER010	GER040	GER100	GER150	GER250	GER400
Rating	DC450V 10A	DC450V 40A	DC450V 100A	DC450V 150A	DC450V 250A	DC450V 400A
Cut-off Cut-rent	-	-	DC450V 1000A 10ps.	DC450V 1500A 10ps.	DC450V 2500A 10ps.	DC450V 3200A 10ps.

Specifications



Model		GER010	GER040	
Width(W) x Height(H) x Depth(D)		34 x 44.3 x 28	67 x 47 x 35.3	
Characteristics	Item	Specifications		
Contact	Contact Form	SPST-NO		
	Contact Structure	Double Break, Single		
	Contact Resistance	Max. 50mΩ	Max. 10mΩ	
	Short-time Current	15A(2min., 2mm ²)	65A(15min.)	
	Max. Cut-off Current	30A(30sec., 2mm ²)	100A(2min.)	
	Overload Opening/Closing Rating	-	400A 450V(1Cycle)	
Coil	Rated Voltage	12V		
	Pick-up Voltage(@20℃)	75% Max. of Rated Voltage		
	Drop-out Voltage(@20℃)	10% Min. of Rated Voltage		
	Nominal Operating Current(@20℃)			
	Power Consumption	2.5W	3W	
	Max. Allowable Voltage	16VDC		
Mechanical Characteristics	Operating Time(@20℃)	Max. 30ms		
	Release Time(@20℃)	Max. 10ms		
	Bounce Time(@20℃)	Max. 1ms	Max. 1.5ms	
	Insulation Resistance	Between Coil and Contacts	Min. 1,000MΩ (@500VDC)	
		Between Contacts of the Same Polarity		
	Dielectric Strength	Between Coil and Contacts	2,500Vrms/min.	
		Between Contacts of the Same Polarity		
	Impulse Withstand Voltage		4,500V	
	Mechanical Characteristics	Shock Resistance	Functional	Min. 196m/s ² (20G)
			Destructive	Min. 490m/s ² (50G)
Vibration Resistance		Functional	10 to 200 to 10, Min. 4.5G(Detection Time : 10us)	
		Destructive	10 to 200Hz, Min. 4.5G (Time of vibration for each direction ; X, Y, Z Direction : 4hours)	
Expected Life	Mechanical	Min. 200,000ops.	Min. 200,000ops.	
	Electrical(Resistive Load)	Cut-off : 400VDC 15A, 10,000ops.	450VDC 40A, 7,000ops.	
		-	450VDC 30A, 10,000ops.	
	400VDC 15A, 75,000ops. (only Making)	450VDC 30A, 80,000ops. (only Making)		
Ambient Operating Temp.		-40 ~ 85℃		
Ambient Operating Humidity		5~95%R.H.		
Weight		77g	140g	



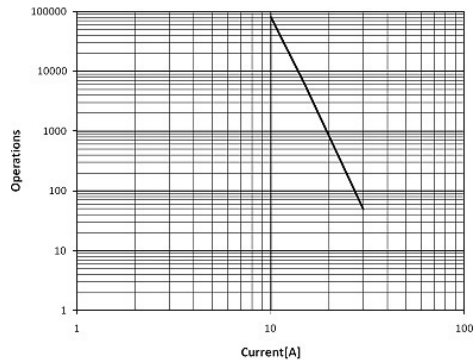
	GER100	GER150	GER250	GER400
	80.7 x 70 x 39	80.7 x 70 x 39	91.5 x 89 x 45	111 x 63 x 74.7
Specifications				
SPST-NO				
Double Break, Single				
	Max. 2mΩ	Max. 2mΩ	Max. 1mΩ	Max. 1mΩ
	150A(15min., 35mm ²)	225A(10min., 50mm ²)	350A(10min., 100mm ²)	600A(10min., 150mm ²)
	225A(2min., 35mm ²)	320A(2min., 50mm ²)	500A(2min., 100mm ²)	900A(2min., 150mm ²)
	1,000A 450VDC(1cycle)	1,500A 450VDC(1cycle)	2,500A 450VDC(1cycle)	3,200A 450VDC(1cycle)
	200A 450VDC(100cycles)	300A 450VDC(100cycles)	400A 450VDC(100cycles)	800A 450VDC(300cycles)
	12V		12V(24V)	
75% Max. of Rated Voltage				
10% Min. of Rated Voltage				
	4.5W	6W	4W(*Inrush current : 2.5A for 12V)	5W(*Inrush current : 3A for 12V)
16VDC				
Max. 30ms				
Max. 10ms				
	Max. 3ms	Max. 2ms	Max. 3ms	Max. 3ms
Min. 1,000MΩ (@500VDC)				
2,500Vrms/min.				
4,500V				
Min.196m/s ² (20G)				
Min.490m/s ² (50G)				
10 to 200 to 10, Min. 4.5G(Detection Time : 10us)				
10 to 200Hz, Min.4.5G				
(Time of vibration for each direction ; X, Y, Z Direction : 4hours)				
	Min. 250,000ops.	Min. 300,000ops.	Min. 300,000ops.	Min. 300,000ops.
	450VDC 100A 2,000ops.	450VDC 150A 1,500ops.	450VDC 250A 3,000ops.	450VDC 400A 2,000ops. 450VDC 200A 10,000ops.
	450VDC 40A 30,000ops.	-	-	-
	450VDC 120A, 80,000ops. (only Making)	-	-	-
-40 ~ 85°C				
5~95%R.H.				
	350g	380g	500g	700g

Detailed Information

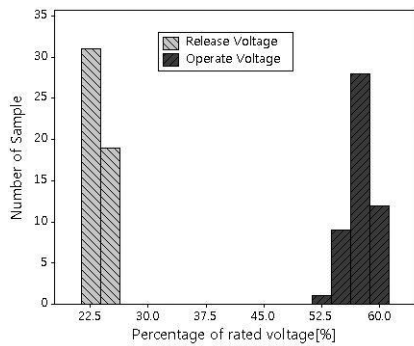
GER010

Engineering Data

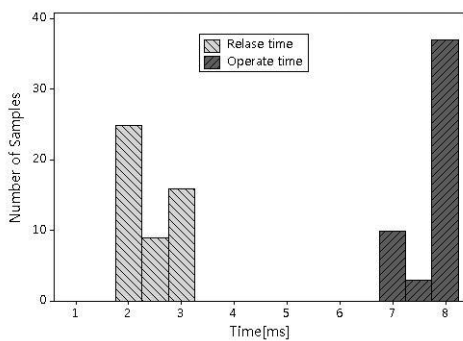
Switching Life(450V Resistive Load)



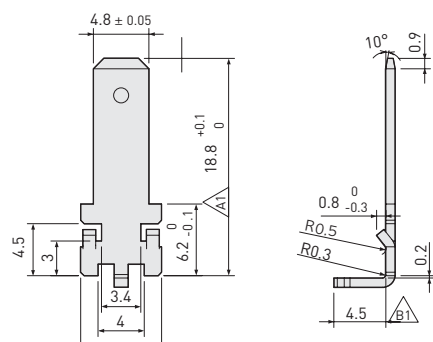
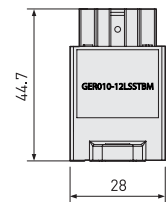
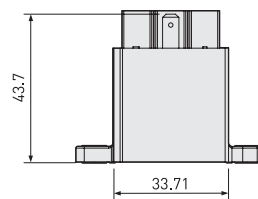
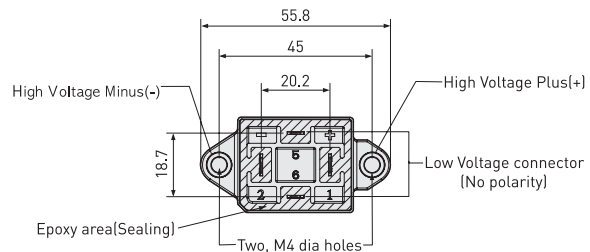
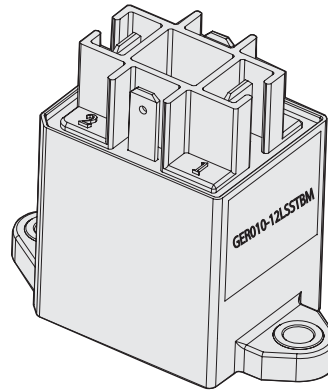
Low Voltage Distribution(# of Sample = 50)



Time Distribution(# of Sample = 50)



Dimensions



Terminal Information

Pin Type Features:

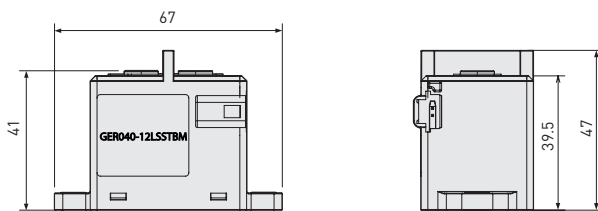
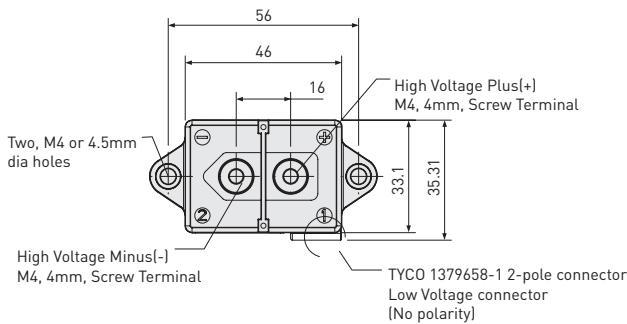
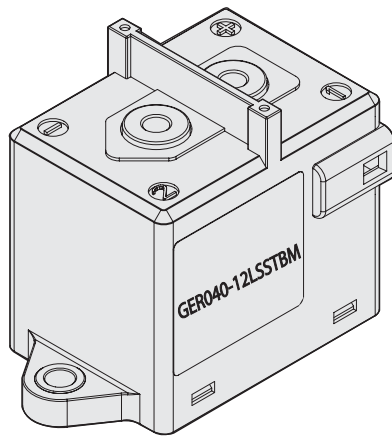
- Terminal Type = Tab
- Mating Area Interface Dimensions (mm) = 4.8 x 0.50
- Material = Brass

Applicable Connector:

- Terminal Type = Receptacle
- Tyco 9-160481-x Series
- Tyco 1-160477-x Series

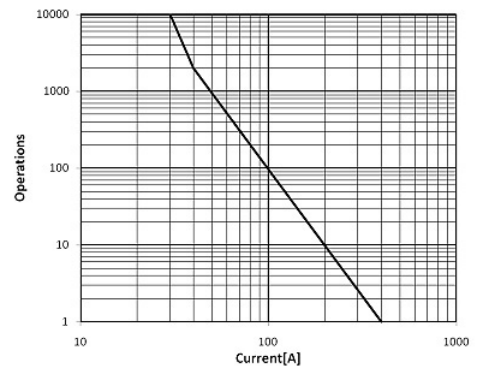
GER040

Dimensions

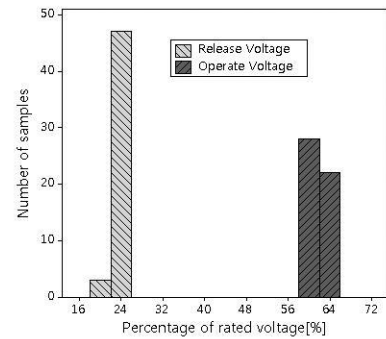


Engineering Data

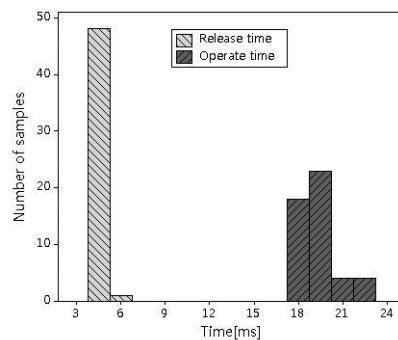
Switching Life(450V Resistive Load)



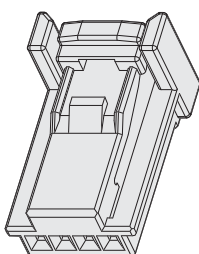
Low Voltage Distribution(# of Sample = 50)



Time Distribution(# of Sample = 50)



Connector Information



1379658-1 Product Details

0.025 Series and Hybrid Connector and Contacts (TYCO)

Product Highlights

- Product Type : Connector
- Connector Type : Housing
- Connector Style : Receptacle
- Contact Type : Pin
- Receptacle Configuration=025



1123343-1 Product Details

Multilock Connectors and Contacts

Product Highlights

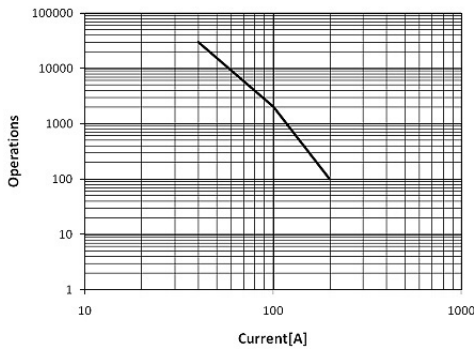
- Product Type : Contact
- Contact Type : Receptacle
- Applies To : Wire
- Wire/Cable Type : Discrete Wire
- Wire Range = 0.20-0.60²[24-20]mm[AWG]

Detailed Information

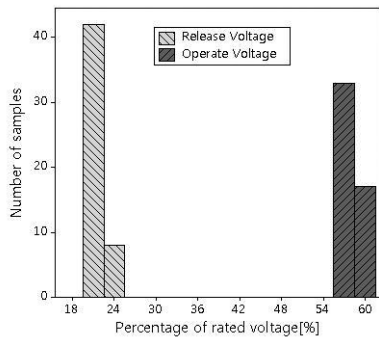
GER100

Engineering Data

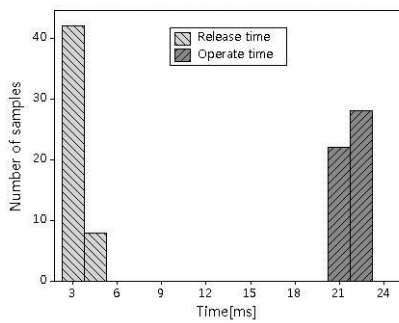
Switching Life(450V Resistive Load)



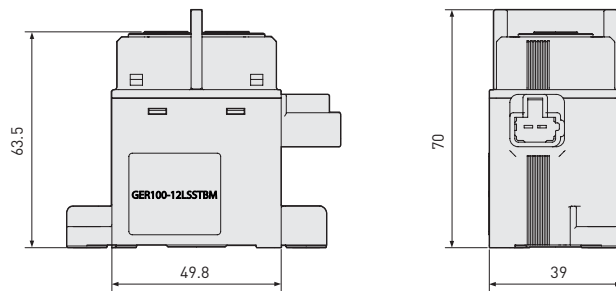
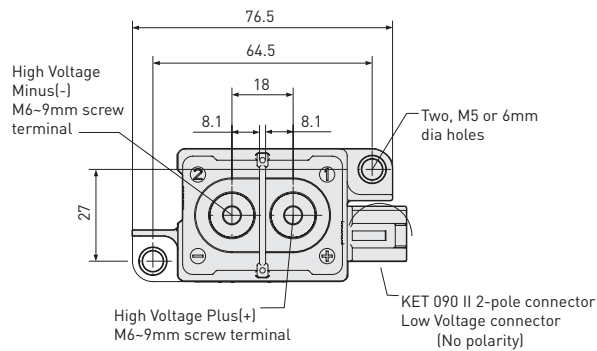
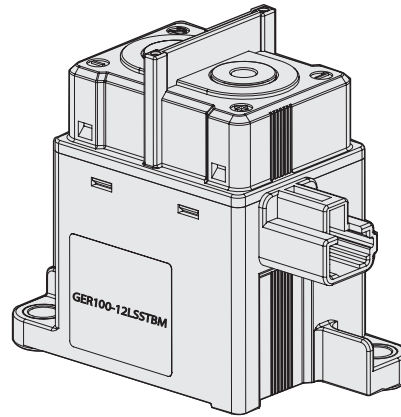
Low Voltage Distribution(# of Sample = 50)



Time Distribution(# of Sample = 50)



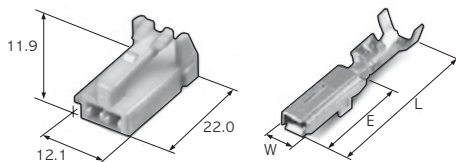
Dimensions



Connector Information

MG651026(L)

ST730676-3

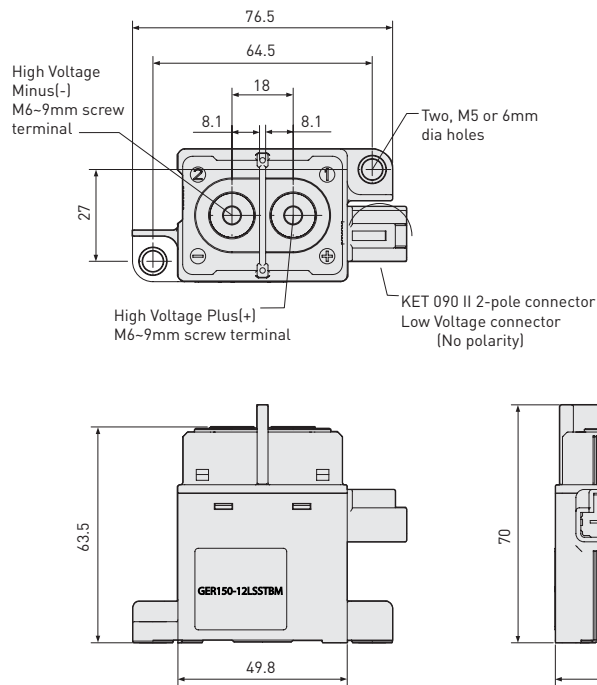
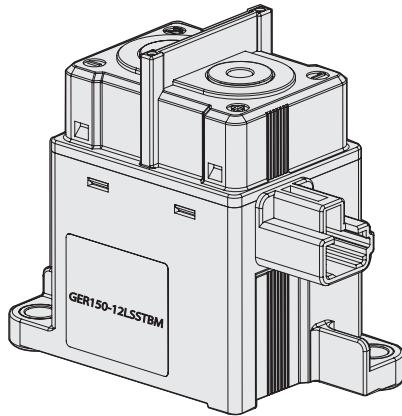


Terminal

Part No.	Wire Range		Tab Thick	Material		Dimension(mm)		
	AWG	mm ²		Thick	Finish	L	E	W
ST30676-3	18-16	AVSS(CAVS) 0.85~1.25	0.64	0.25	Copper Alloy Pre-Tin	18.0	9.0	2.9

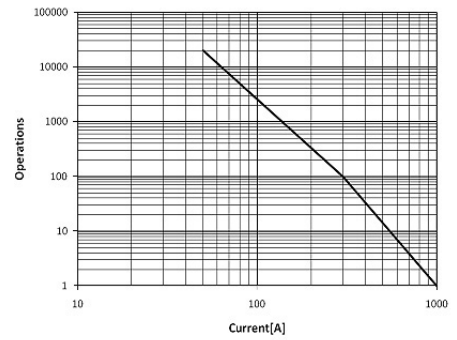
GER150

Dimensions

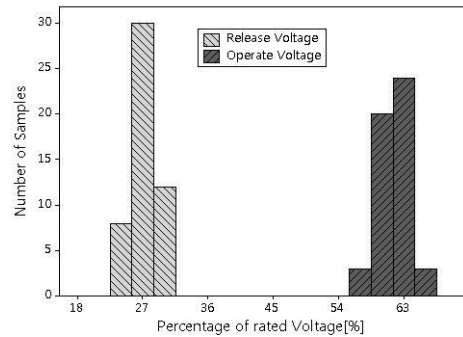


Engineering Data

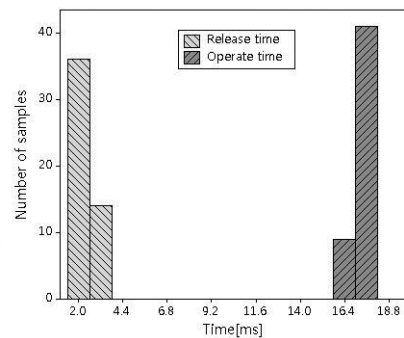
Switching Life(450V Resistive Load)



Low Voltage Distribution(# of Sample = 50)



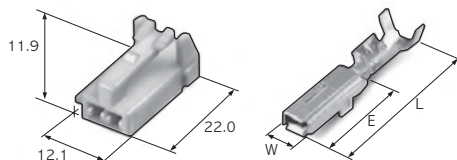
Time Distribution(# of Sample = 50)



Connector Information

MG651026(L)

ST730676-3



Terminal

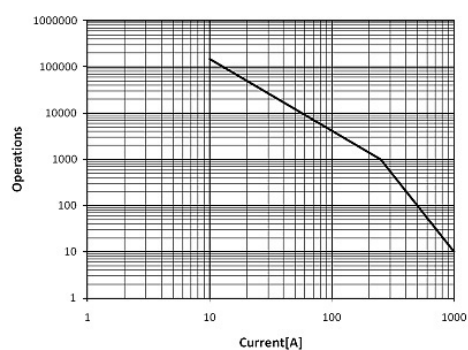
Part No.	Wire Range		Tab Thick	Material		Dimension(mm)		
	AWG	mm ²		Thick	Finish	L	E	W
ST30676-3	18-16	AVSS(CAVS) 0.85~1.25	0.64	0.25	Copper Alloy Pre-Tin	18.0	9.0	2.9

Detailed Information

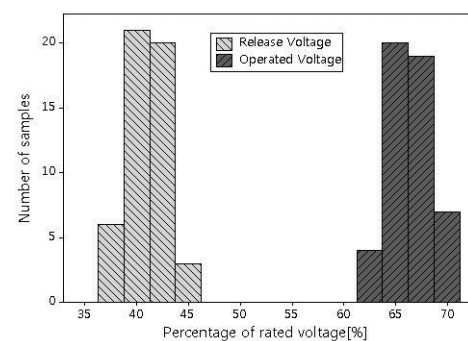
GER250

Engineering Data

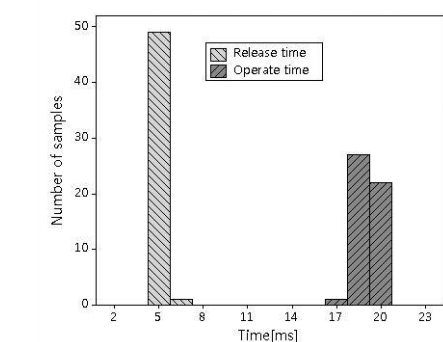
Switching Life(450V Resistive Load)



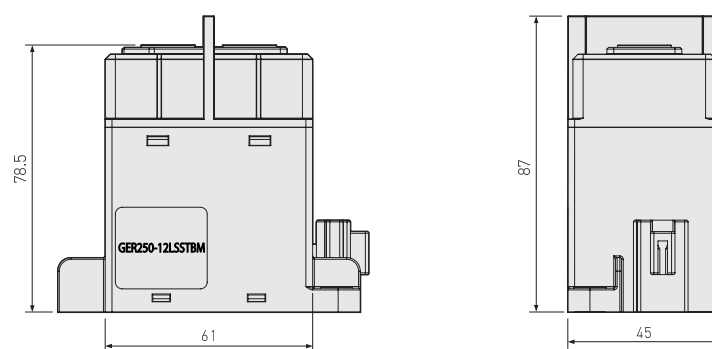
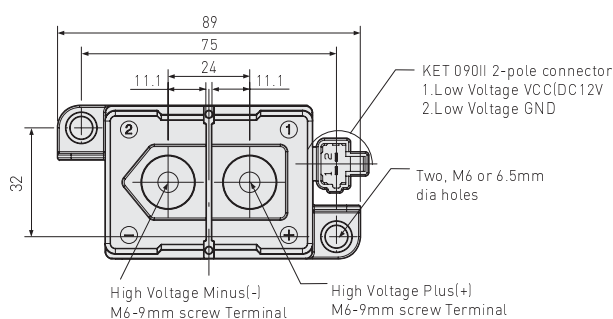
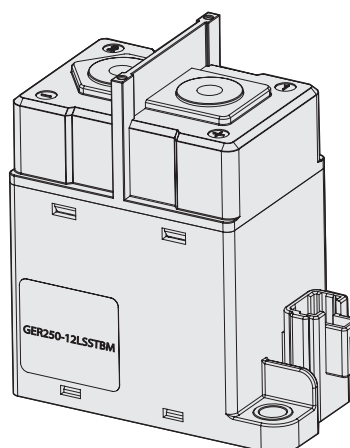
Low Voltage Distribution(# of Sample = 50)



Time Distribution(# of Sample = 50)



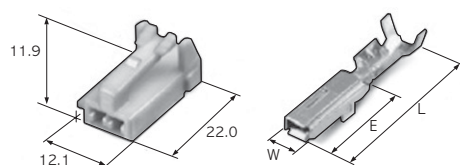
Dimensions



Connector Information

MG651026(L)

ST730676-3

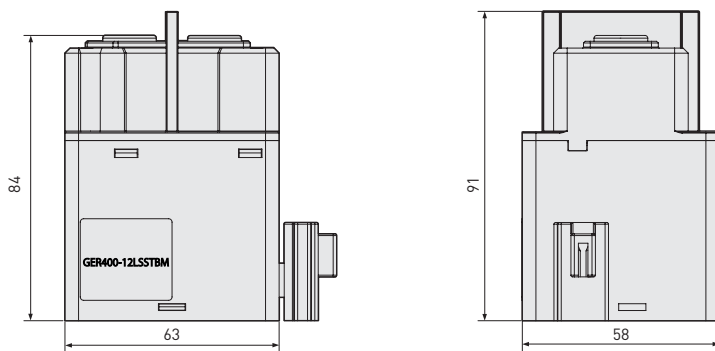
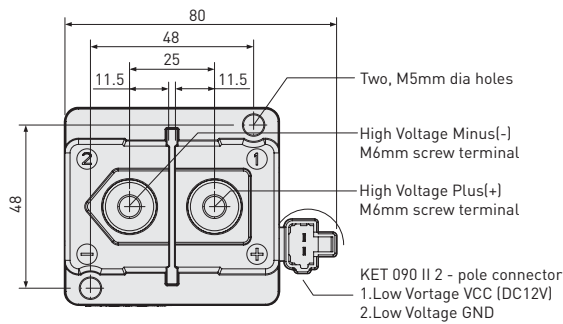
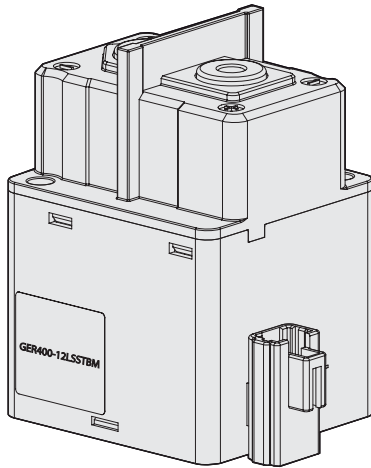


Terminal

Part No.	Wire Range		Tab Thick	Material		Dimension(mm)		
	AWG	mm ²		Thick	Finish	L	E	W
ST30676-3	18-16	AVSS(CAVS) 0.85~1.25	0.64	0.25	Copper Alloy Pre-Tin	18.0	9.0	2.9

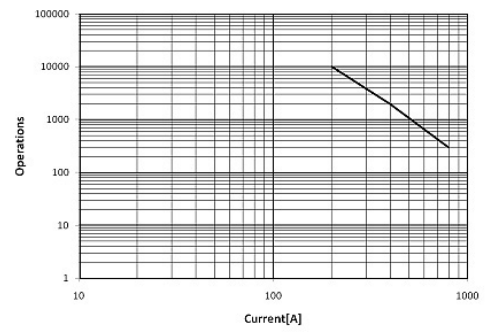
GER400

Dimensions

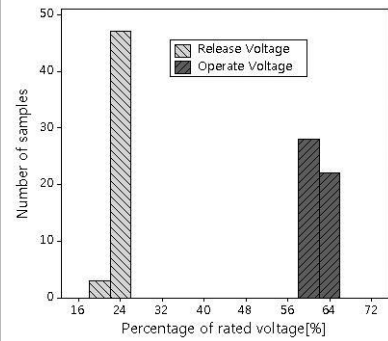


Engineering Data

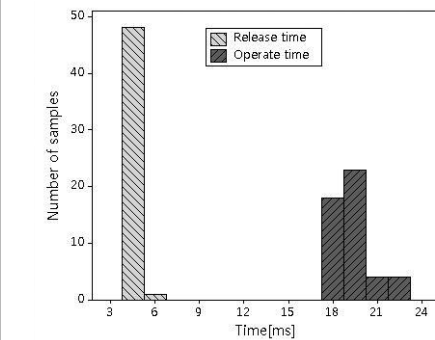
Switching Life(450V Resistive Load)



Low Voltage Distribution(# of Sample = 50)



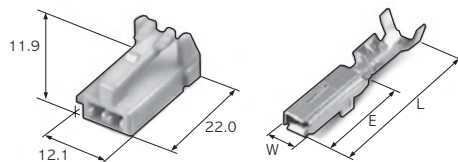
Time Distribution(# of Sample = 50)



Connector Information

MG651026(L)

ST730676-3



Terminal

Part No.	Wire Range		Tab Thick	Material		Dimension(mm)		
	AWG	mm ²		Thick	Finish	L	E	W
ST30676-3	18-16	AVSS(CAVS) 0.85~1.25	0.64	0.25	Copper Alloy Pre-Tin	18.0	9.0	2.9

Green Innovators of Innovation



Safety Instructions

- For your safety, please read user's manual thoroughly before operating.
- Contact the nearest authorized service facility for examination, repair, or adjustment.
- Please contact qualified service technician when you need maintenance. Do not disassemble or repair by yourself !
- Any maintenance and inspection shall be performed by the personnel having expertise concerned.

LSIS Co., Ltd.

©2011.06 LSIS Co., Ltd. All Rights Reserved.

HEAD OFFICE

LS Tower 1026-6, Hogye-dong, Dongan-gu, Anyang-si,
Gyeonggi-do 431-848, Korea

ASIA : Tel: +82-2-2034-4093 Fax : +82-2-2034-4622
Email: jpkima@lisis.biz

CHINA : Tel: +82-2-2034-4354 Fax : +82-2-2034-4622
Email: steng@lisis.biz

USA : Tel: +82-2-2034-4349 Fax : +82-2-2034-4622
Email: wslima@lisis.biz

EUROPE : Tel: +82-2-2034-4356 Fax : +82-2-2034-4622
Email: sjkim@lisis.biz

Global Network

• LSIS Detroit Office >> Detroit, USA

Address 5700 Crooks Rd Suite 211 Troy, MI 48098, Detroit, USA
Tel +1-248-792-2638 Fax +1-248-792-2642 E-mail sylee@lisis.biz

• LSIS Europe B.V. >> Amsterdam, Netherlands

Address 1st. Floor, Tupolevlaan 48, 1119NZ, Schiphol-Rijk, The Netherlands
Tel +31-20-654-1420 Fax +31-20-654-1429 E-mail junshickp@lisis.biz

• LSIS(ME) FZE >> Dubai, U.A.E.

Address Jafza View Tower Lob 19, Room 205 Along Sheikh Zayed Road Jebel Aali Free Zone Dubai,
United Arab Emirates,
Tel + 971-4-886-5360 Fax + 971-4-886-5361 E-mail jungyongl@lisis.biz

• LSIS(Dalian) Co., Ltd >> Dalian, China

Address No. 15.Liaohexi 3-Road. Economic and Technical Development zone. Dalian 116600. China
Tel +86-411-8730-7510 Fax +86-411-8731-8277 E-mail cuibx@lisis.com.cn

• LSIS(Wuxi) Co., Ltd >> Wuxi, China

Address 102-A. National High & New Tech Industrial Development Area. Wuxi.
Jiangsu. 214028. P.R. China
Tel +86-510-8534-6666 Fax +86-510-8534-4078 E-mail caidx@lisis.com.cn

• LS-VINA IS Co., Ltd >> Hanoi, Vietnam

Address Nguyen Khe Dong Anh, Hanoi
Tel +84-4-38820 222,3 Fax +84-4-38820 220 E-mail srjo@lisisvina.com, ylsuk@lisisvina.com

• LSIS Tokyo Office >> Tokyo, Japan

Address 16FL. Higashi-Kan. Akasaka Twin Tower 2-17-22. Akasaka. Minato-ku Tokyo 107-0052. Japan
Tel +81-3-3582-9128 Fax +81-3-3582-2667 E-mail jschuna@lisis.biz

• LSIS Shanghai Office >> Shanghai, China

Address Room E-G. 12FL Huamin Empire Plaza. No.726. West Yan'an Road Shanghai 200050. P.R. China
Tel +86-21-5237-9977(501) Fax +89-21-5237-7189 E-mail liyong@lisis.com.cn

• LSIS Beijing Office >> Beijing, China

Address B-Tower 17FL. Beijing Global Trade Center. No. 36. East BeisanHuan-Road. DongCheng-District.
Beijing 100013. P.R. China
Tel +86-10-5825-6027(666) Fax +86-10-5825-6028 E-mail xunmj@lisis.com.cn

• LSIS Guangzhou Office >> Guangzhou, China

Address Room 1403.14FL. New Poly Tower. 2 Zhongshan Liu Road.Guangzhou.P.R China
Tel +86-20-8326-6754 Fax +86-20-8326-6287 E-mail chenxs@lisis.com.cn

• LSIS Chengdu Office >> Chengdu, China

Address Room 1710.17FL. Huamin Empire Plaza. No.1 Fu Xing Street.Chengdu.610016. P.R. China
Tel +86-28-8670-3201 Fax +86-28-8670-3203 E-mail yangcf@lisis.com.cn

• LSIS Qingdao Office >> Qingdao, China

Address Room 2001.YinHe Bldg. No. 29 Shandong Road, Qingdao. 266071, P.R. China
Tel +86-532-8501-6058 Fax +86-532-8501-6057 E-mail wangzy@lisis.com.cn

Specifications in this catalog are subject to change without notice due to continuous product development and improvement.