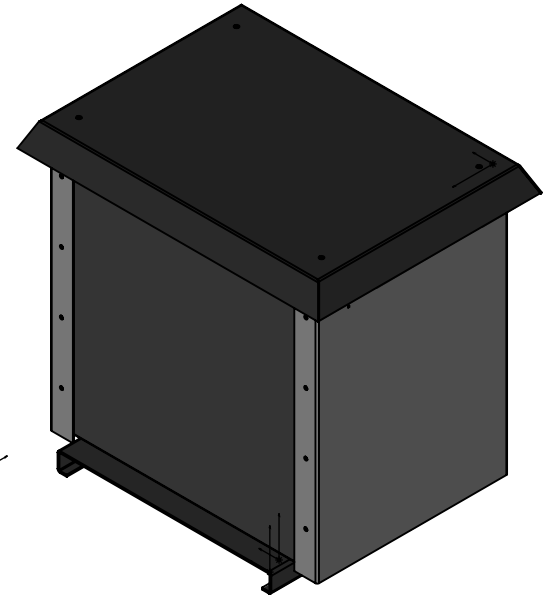
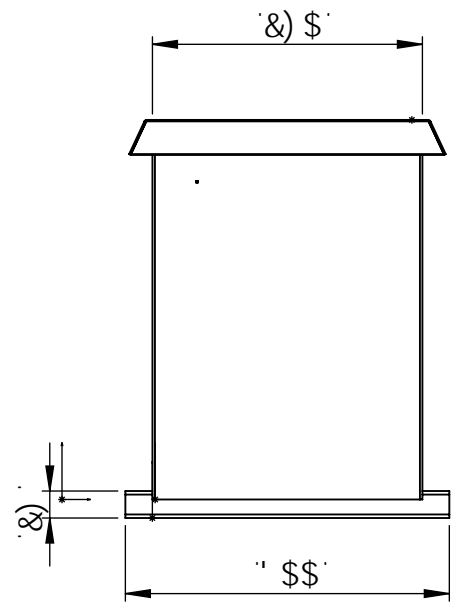
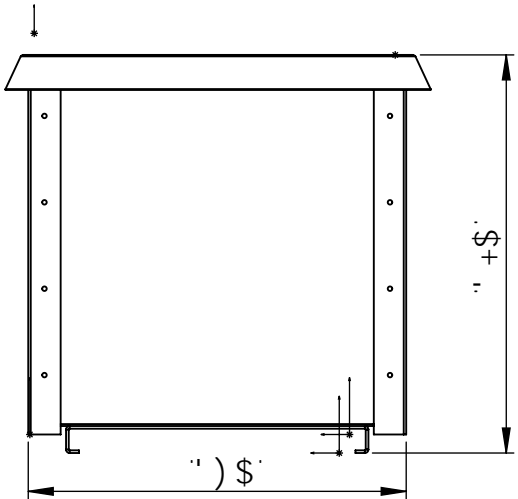
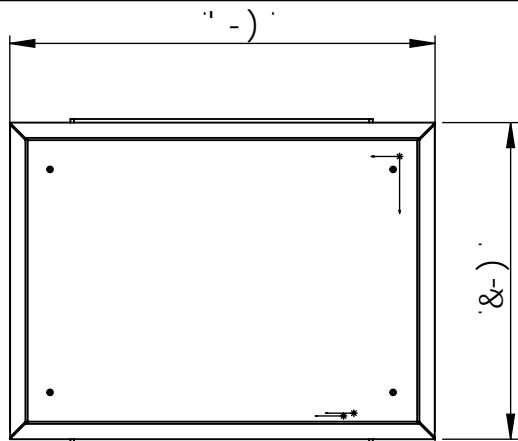


6



6

5

DFC DF-5FM5B87CB: 89BH5@
 H: 9 B: CFA 5HC B 7 CBH5 B98 B H: G
 8F5K B: G H: 9 GC @DFC D9F HMC:
 O-B G9FH7 CA D5BMB5A 9 < 9F 92" 5BM
 F9DFC 81 7 HC B B D5FHC F 5G5 K < C @
 K H: C I H H: 9 K F H9B D9FA 6GC B C:
 O-B G9FH7 CA D5BMB5A 9 < 9F 92-G
 DFC < 6H98"

		I B @GGC H: 9FK 69 GD97 ≠ 98.		B5A 9	85HP	07 C A D5BMB5A 92	
		8 A 9B G6 BG5F9 B B7 < 9G HC @F5B7 9G : F57 HC B5 @± 5B: I @F, A 57 < ± 69B8 ± HK C D67 9897 A 5 @ ± H: F99 D67 9897 A 5 @ ±	8F5K B			H H @.	
		B H9F D9H: 9CA 9H 7 HC @F5B7 B: D9F.	7 < 97 ? 98				
		A 5H9F 5@	9B: 5DDF"				
		: B G<	A: 5DDF"				
B9LH5GGM	I G98 CB		E "5"				
		8C B CHG7 5 @ 8F5K B:	7 CA A 9BHG			G A9	8K ; ""BC"
							F9J
						C 6l 8C K55 '8 ü5K 7 ê K " \$* ?.	
	5DD@7 5HC B					G7 5 @. % +	G < 99H % C : %

5

&

%