

Introduction of New Product

Metasol 2100AF Contactor Optimized solution for renewable energy

Metasol 2100AF Contactor offers optimized solution for AC-1 load control. As the renewable market size grows, Metasol 2100AF contactor specializes its performance for wind turbine generator control. It can be also applied to photovoltaic and mining industries in order to provide stable load control condition.

- 1400A, 1700A, 2100A rating, 3 Poles
- One-Mold Type
- Optimized to control AC-1 Category loads
- Rated operational voltage (Ue): 1000V
- Impulse withstand voltage(Uimp): 8kV
- Wide range coil voltage
 - 100~240V AC, 50/60Hz
 - 100~220V DC



Product information

Category		MC-1400a	MC-1700a	MC-2100a
AC-1	[A]	1400	1700	2100
	220V [A]	860	1050	
AC-3	440V [A]	860	1050	-
	690V [A]	800	950	
Electrical Durability		50 000 operations		
Mechanical Durability		500 000 operations		
Switching frequency [Cycles/Hour]		300		
Size	[W×H×D, mm]	431×380×246		
Auxiliary Contact		2NO+2NC		

Product ratings

- Rated Insulation Voltage (Ui): 1040V
- Rated Operational Voltage (Ue): 1000V
- Rated Impulse Withstand Voltage (Uimp): 8kV

Content		MC-1400a	MC-1700a	MC-2100a
Rated Operational Current	[A]	1400	1700	2100
Rated Short-time Withstand Current [Icw, A]	10s	8000	10000	10000
	30s	6000	7500	7500
	1min	4500	5500	5500
	3min	4000	4200	4200
	10min	2600	3000	3000

Coil characteristics

- **Rated control circuit voltage (Uc)**
 - AC: 100~240V (50/60Hz)
 - DC: 100~220V
 - Coil operational voltage limits: 85~110% of Uc
- **Operation time (AC / DC)**
 - Closing: under 80ms
 - Opening: under 70ms
- **Coil consumption (AC 100~240 / DC 100~220)**
 - Inrush: Under 2500VA
 - Holding: Under 154VA

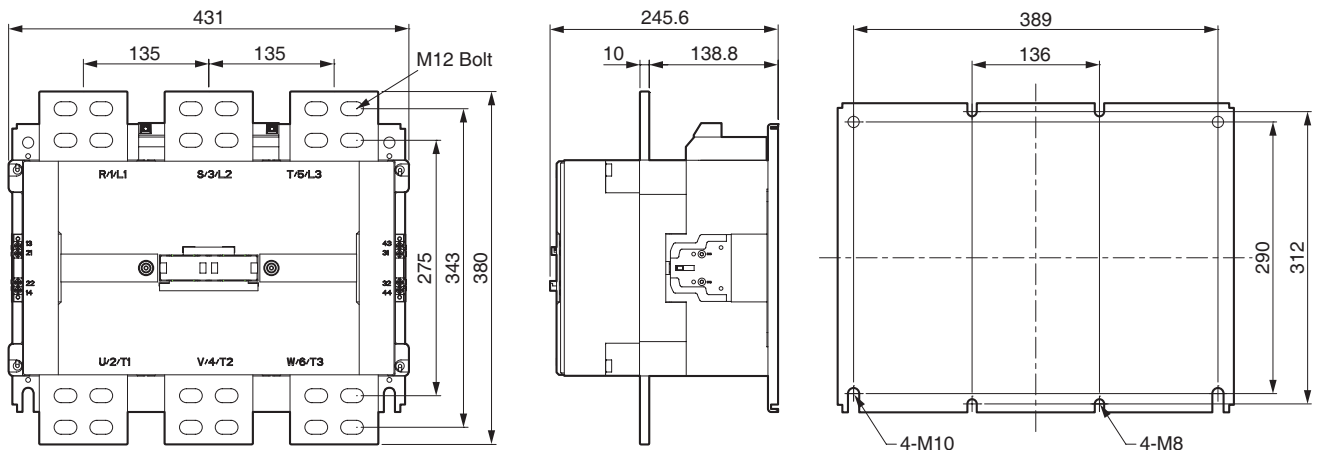
Operational environment

- **Ambient temperature**
 - Operating temperature: -25°C ~ +70°C
 - Storage: -30°C ~ +70°C
- **Operating humidity**
 - 45% ~ 85%RH
- **Air pressure**
 - 1013mb ± 20mb

Standards

- **Standards**
 - IEC60947, UL508, GB14048.4
- **Certification**
 - CE, UL/cUL, CCC

Dimensions



LSIS constantly endeavor to improve our products so that information in this catalog is subject to change without notice.

■ HEAD OFFICE

LS-ro 127 (Hogye-dong) Dongan-gu Anyang-si Gyeonggi-do Korea
Tel. (82-2)2034-4840, 4911, 4914 Fax. (82-2)2034-4648