



MRK SERIES • MRK SERİSİ

Mrk Series Screwed Type Terminal Blocks • MRK Serisi Vidalı Tip Ray Klemensler



01



OPK SERIES • OPK SERİSİ

Opk Series Push-in Type Terminal Blocks • Opk Serisi Push-in Tip Ray Klemensler



02

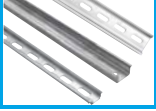


MPK SERIES • MPK SERİSİ

Mpk Series Push-in Type Mini Terminal Blocks • Mpk Serisi Push-in Tip Mini Ray Klemensler



03



RAILS • RAYLAR



04



DISTRIBUTION UNITS • DAĞITICI ÜNİTELER



05



SHIELD TERMINALS • BARA KLEMENSLERİ



06



W AUTOMAT BUSBARS • W OTOMAT BARALARI



07



STEATITE TERMINALS • STEATITE KLEMENS



08



TERMINAL STRIPS & SOCKET CON. • SIRA & SOKET KLEMENSLER



09



CABLE LUGS • KABLO PABUÇLARI



10



RAIL MOUNTING SOCKET • RAYA MONTAJ PANO PRİZİ



11



CABLE TRUNKING • KABLO KANALLARI



12



POLYAMIDE CABLE GLAND • POLİAMİT KABLO RAKORLARI



13



ELECTRONIC TERMINAL BLOCKS & RELAYS ELEKTRONİK KLEMENSLER & RÖLELER



14



MARKING SYSTEMS • MARKALAMA SİSTEMLERİ



15



INSULATORS • İZOLATÖRLER



16




VDE Prüf- und Zertifizierungsinstitut

**ZEICHENGENEHMIGUNG
MARKS APPROVAL**

ONKA ELEKTRIK MALZEMELERI
SAN. TIC. LTD. STI
Cumhuriyet St. 27
Gebze Plastics Manuf. Org. Ind. Zone
41400 GEBZE
TURKEY
ist berechtigt, für ihr Produkt /
is authorized to use for their product


Verbindungsmaterial, Klemme mit Schraubklemmstelle
Connecting device, terminal with screw-type clamping unit

die hier abgebildeten markenrechtlich geschützten Zeichen
für die ab Blatt 2 aufgeführten Typen zu benutzen /
the legally protected Marks as shown below for the types referred to on page 2 ff.



Geprüft und zertifiziert nach /
Tested and certified according to


DIN EN 60998-1 (VDE 0613 Teil 1):2005-03, EN 60998-1:2004
DIN EN 60998-2-1 (VDE 0613 Teil 2-1):2005-03, EN 60998-2-1:2004



Altanzusammen: 5021630-1441-0001 / 236725
File ref.:
Ausweis-Nr.: 40046257 Blatt 1
Certificate No. 2013-05-09 Page

VDE Prüf- und Zertifizierungsinstitut GmbH
VDE Testing and Certification Institute
Zertifizierungsstelle / Certification
Offenbach, 2017-05-09

VDE-Zertifikate sind nur gültig, bei Veröffentlichung unter
VDE-Zertifikats-Nr. und nur, wenn veröffentlicht.
http://www.vde.com/zertifikat



VDE Prüf- und Zertifizierungsinstitut

**ZEICHENGENEHMIGUNG
MARKS APPROVAL**

ONKA ELEKTRIK MALZEMELERI
SAN. TIC. LTD. STI
Cumhuriyet St. 27
Gebze Plastics Manuf. Org. Ind. Zone
41400 GEBZE
TURKEY
ist berechtigt, für ihr Produkt /
is authorized to use for their product

Steckverbinder (COC)
Connector (COC)

die hier abgebildeten markenrechtlich geschützten Zeichen
für die ab Blatt 2 aufgeführten Typen zu benutzen /
the legally protected Marks as shown below for the types referred to on page 2 ff.



Geprüft und zertifiziert nach /
Tested and certified according to

DIN EN 61984 (VDE 0627):2005-11, EN 61984:2009
DIN EN 61984 Berichtigung 1 (VDE 0627 Berichtigung 1):2012-03, EN 61984:2009



Altanzusammen: 5021630-1431-0001 / 236728
File ref.:
Ausweis-Nr.: 40046453 Blatt 1
Certificate No. 2013-05-09 Page

VDE Prüf- und Zertifizierungsinstitut GmbH
VDE Testing and Certification Institute
Zertifizierungsstelle / Certification
Offenbach, 2017-05-09

VDE-Zertifikate sind nur gültig, bei Veröffentlichung unter
VDE-Zertifikats-Nr. und nur, wenn veröffentlicht.
http://www.vde.com/zertifikat





CERTIFICATE OF COMPLIANCE

Certificate Number: 20130731-E351153
Report Reference: E351153-20130301
Issue Date: 2013-JULY-31

Issued to: ONKA ELEKTRIK MALZ SAN VE TIC LTD STI
GEBZE PLASTIKCILER O.S.B
CUMHURİYET CAD. NO.27
41400 TURKEY

This is to certify that
representative samples of
COMPONENT - TERMINAL BLOCKS
MRK-1.5, MRK-2.5, MRK-4, MRK-6, MRK-10, MRK TEST-
6, MRK-C 2.5, MRK-C 4, MRK-S, MRK 16, MRK 50, MRK
70, MRK 10 TEST KLEMENS.
MTK-4, MTK-10, MTK-16.

Have been investigated by UL in accordance with the
Standard(s) indicated on this Certificate.


Standard(s) for Safety: Terminal Blocks, UL 1059 and CAN/CSA C22.2 No. 158-10
Additional Information: See the UL Online Certifications Directory at
www.ul.com/database for additional information

Only those products bearing the UL Recognized Component Marks for the U.S. and Canada should be considered as being covered by UL's Recognition and Follow-Up Service and meeting the appropriate U.S. and Canadian requirements.

The UL Recognized Component Mark for the U.S. generally consists of the manufacturer's identification and catalog number, model number or other product designation as specified under "Marking" for the particular Recognition as published in the appropriate UL Directory. As a supplementary means of identifying products that have been produced under UL's Component Recognition Program, UL's Recognized Component Mark "R" may be used in conjunction with the required Recognized Marks. The Recognized Component Mark is required when specified in the UL Directory preceding the recognitions or under "Marking" for the individual recognitions. The UL Recognized Component Mark for Canada consists of the UL Recognized Mark for Canada, "R" and the manufacturer's identification and catalog number, model number or other product designation as specified under "Marking" for the particular Recognition as published in the appropriate UL Directory.

Recognized components are incomplete in certain constructional features or restricted in performance capabilities and are intended for use as components of complete equipment submitted for investigation rather than for direct separate installation in the field. The final acceptance of the component is dependent upon its installation and use in complete equipment submitted to UL, LLC.

Look for the UL Recognized Component Mark on the product.


 William R. Coney
 Director of Certification Services, North American Certification Programs
 UL LLC
 Any information and documentation bearing UL Mark services are provided on behalf of UL LLC (UL) or any authorized licensee of UL. For questions, please contact a local UL Customer Service Representative at www.ul.com/customer-service

Page 1 of 1

CERTIFICATE OF COMPLIANCE

Certificate Number: 20130501-E351153
Report Reference: E351153-20130430
Issue Date: 2013-MAY-01

Issued to: ONKA ELEKTRIK MALZ SAN VE TIC LTD STI
GEBZE PLASTIKCILER O.S.B
CUMHURİYET CAD. NO. 27
41400 TURKEY

This is to certify that
representative samples of
COMPONENT - TERMINAL BLOCKS
Cat. Nos. OPK-2.5, OPK-4, OPK-C 2.5, OPK-C 4

Have been investigated by UL in accordance with the
Standard(s) indicated on this Certificate.

Standard(s) for Safety: UL 1059 & CSA C22.2 No. 158, Terminal Blocks
Additional Information: See the UL Online Certifications Directory at
www.ul.com/database for additional information

Only those products bearing the UL Recognized Component Marks for the U.S. and Canada should be considered as being covered by UL's Recognition and Follow-Up Service and meeting the appropriate U.S. and Canadian requirements.

The UL Recognized Component Mark for the U.S. generally consists of the manufacturer's identification and catalog number, model number or other product designation as specified under "Marking" for the particular Recognition as published in the appropriate UL Directory. As a supplementary means of identifying products that have been produced under UL's Component Recognition Program, UL's Recognized Component Mark "R" may be used in conjunction with the required Recognized Marks. The Recognized Component Mark is required when specified in the UL Directory preceding the recognitions or under "Marking" for the individual recognitions. The UL Recognized Component Mark for Canada consists of the UL Recognized Mark for Canada, "R" and the manufacturer's identification and catalog number, model number or other product designation as specified under "Marking" for the particular Recognition as published in the appropriate UL Directory.

Recognized components are incomplete in certain constructional features or restricted in performance capabilities and are intended for use as components of complete equipment submitted for investigation rather than for direct separate installation in the field. The final acceptance of the component is dependent upon its installation and use in complete equipment submitted to UL, LLC.

Look for the UL Recognized Component Mark on the product.


 William R. Coney
 Director of Certification Services, North American Certification Programs
 UL LLC
 Any information and documentation bearing UL Mark services are provided on behalf of UL LLC (UL) or any authorized licensee of UL. For questions, please contact a local UL Customer Service Representative at www.ul.com/customer-service

Page 1 of 1



TSE TÜRK STANDARLARI ENSTİTÜSÜ TÜRK STANDARDLARINA UYGUNLUK BELGESİ TURKISH STANDARDS INSTITUTION CERTIFICATE OF CONFORMITY TO TURKISH STANDARDS

TSE TÜRK STANDARLARI ENSTİTÜSÜ TÜRK STANDARDLARINA UYGUNLUK BELGESİ TURKISH STANDARDS INSTITUTION CERTIFICATE OF CONFORMITY TO TURKISH STANDARDS

TSE TÜRK STANDARLARI ENSTİTÜSÜ TÜRK STANDARDLARINA UYGUNLUK BELGESİ TURKISH STANDARDS INSTITUTION CERTIFICATE OF CONFORMITY TO TURKISH STANDARDS

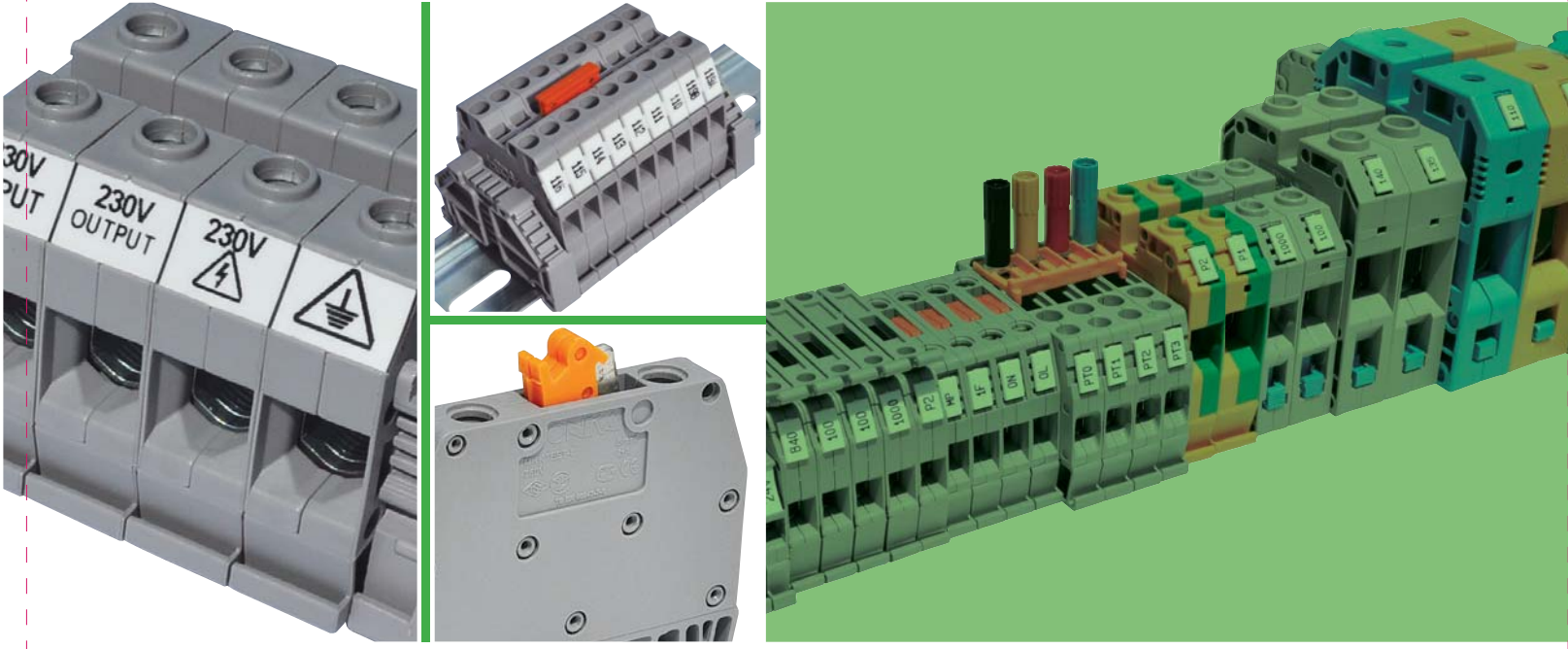


СЕРТИФИКАТ ВІДНОСНОСТІ СЕРТИФИКАТ ВІДНОСНОСТІ

ТАМОНЕННИЙ ЦЕНЗ СЕРТИФИКАТ СЕРТИФИКАТ

IEP ENERGY PETROLEUM INSTITUTE EC-Type Examination Certificate

SERTİFİKA TIC ISO 9001:2015'İ GERE YÖNETİM SİSTEMİ



MRK SERIES SCREWED TYPE TERMINAL BLOCKS

Technical Features:

- Does not require final plate (Both sides are closed), provides cost saving and better isolation.
- Symmetrical (Mountable to rail at both directions)
- Provides opportunity to assemble cable section from 0,06 mm² to 120 mm².
- Labelling system appropriate for strap marking.
- Double sided bridging opportunity.
- Isolated comb bridge can be used from 1,5 mm² to 10 mm².
- Screw system is flat headed for sections 35 mm² and lower.
- In 50 mm² and following sections, the screw system is allen headed.
- MRK Series stopper can be used both as group label or end label.

MRK SERİSİ VİDALI RAY KLEMENSLER

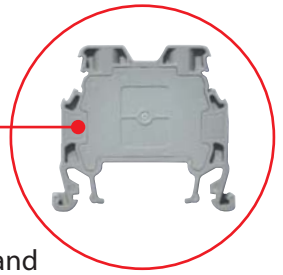
Teknik Özellikler:

- Nihayet plakası gerektirmez (Her iki tarafı kapalı) Maliyet tasarrufu ve daha iyi bir izolasyon sağlar.
- Simetrik (Her iki yönde raya monte edilebilir)
- 0,06 mm² den 240 mm² lik kablo kesitine kadar montaj imkanı sağlar.
- Markalama tırnak yapısı diğer markalara uygun şekilde tasarlanmıştır.
- Şerit markalamaya uygun etiketleme sistemi.
- Çift yönlü köprüleme imkanı.
- 1,5 mm² den 10 mm² ye kadar izoleli tarak köprü kullanılabilir.
- Vida sistemi 1,5 mm² den 35 mm² ye kadar düz başlıdır.
- Vida sistemi 50 mm² ve sonraki kesitlerde alyan başlıdır.
- MRK Serisi durdurucu hem grup etiketi hemde durdurucu olarak kullanılabilir.

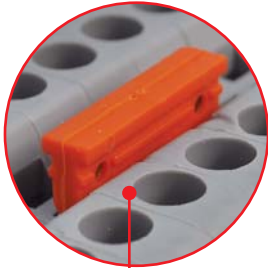
MRK SERIES MRK SERİSİ



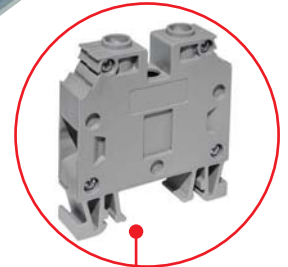
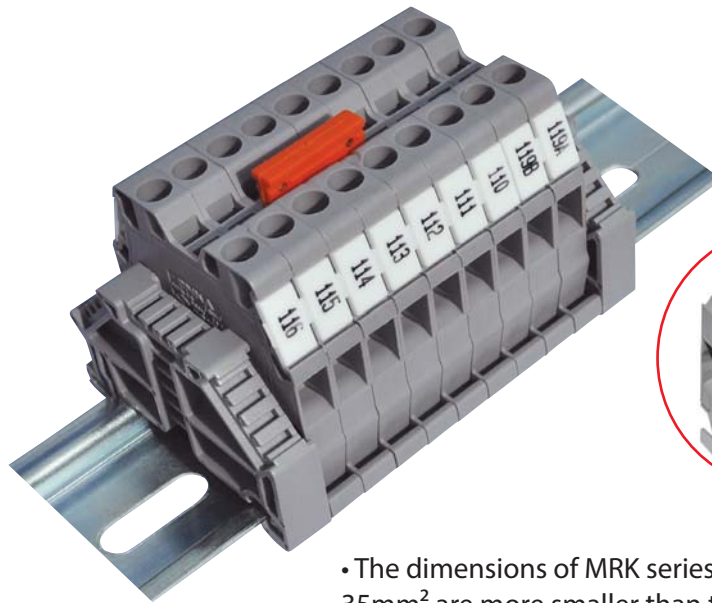
- The roll labelling marking system can be used from 1.5 mm² to 35 mm² in the new MRK series.



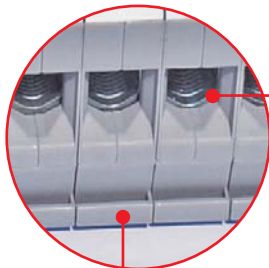
- Main body is monolithic and the end plate is produced as embedded.



- The new fixed bridge system is used in the new MRK series from 1.5 mm² to 10 mm².



- The dimensions of MRK series for 16 mm² and 35mm² are more smaller than the old series. MRK 16 is (51 x 54 x 12) mm , MRK 35 is (51 x 54 x 15) mm.
- Terminal block's body and end plate are connected within 4 steel screw.



- In the case of the U type structured the sleeves can be touched from different points to the cable in the new MRK 6-10-16 and 35mm²

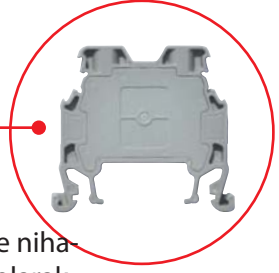
- The foot parts of terminals 16 and 35 mm² can be locked more better because of the same width as the terminal.



- It is produced 1.5-2.5-4-6-10-16-35 mm² in the new MRK series.
- It is new added 1.5 mm² to our product gamma.
- In the case of the copper busbar and the sets made interior of sleeves it is imposible to pull back the cable from the terminal blocks.
- This is the fixed bridge for the MRK 16 and 35 mm²



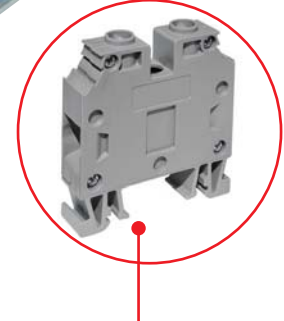
• MRK Serisinde 1.5 mm²den 35 mm² lik kesite kadar şerit etiketleme sistemi uygulanabilmektedir.



• Ana gövde yekparedir ve nihayet plakası içine gömülü olarak üretilmiştir.

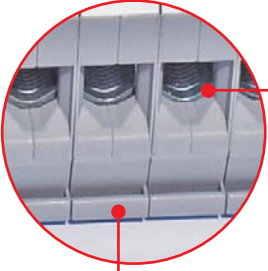


• MRK Serisinde 1.5 mm²den 10 mm² ye kadar yeni üst köprü sistemi kullanılmıştır.



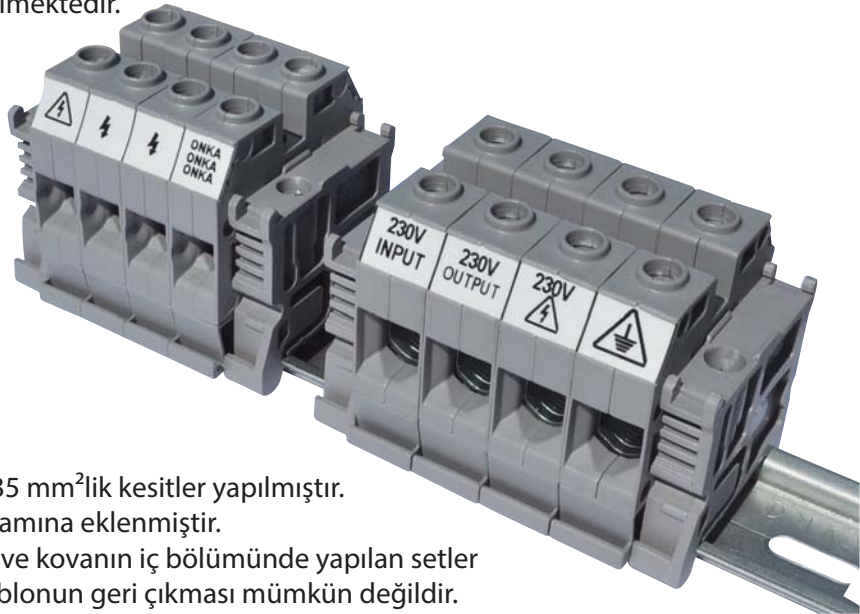
• MRK Serisinde 16 mm² ve 35mm²lik klemenslerin ebatları önceki seriye göre daha ufaktır. MRK 16 (51 x 54 x 12) mm , MRK 35 (51 x 54 x 15) mm ebadındadır.

• MRK 16 ve 35'te klemensin gövdesi ve kapağı birbirine 4 adet çelik vida ile bağlanmıştır. Aynı işlem 50, 70, 95 ve 120mm²'lik klemensler içinde geçerlidir.



• MRK serisinde 6 mm²'den 120 mm²'ye kadar kovan sisteminin alt kısmındaki U şeklinde tasarlanmış yapı sayesinde kovan kabloya daha fazla noktadan temas edebilmektedir.

• MRK 16 ve 35 mm² klemensle raya tutunan ayakların klemens genişliğinde olması sayesinde rayı daha iyi kavramaktadır ve ray üzerine kiletlenmektedir.

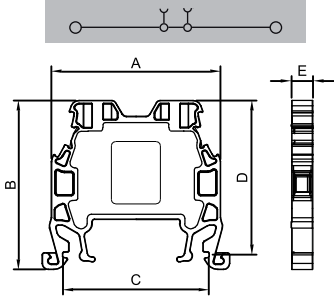


- MRK Serisinde 1.5-2.5-4-6-10-16-35 mm²lik kesitler yapılmıştır.
- MRK Serisinde 1.5 mm² de ürün gamına eklenmiştir.
- Klemensin içerisindeki bakır bara ve kovanın iç bölümünde yapılan setler sayesinde montajı tamamlanan kablonun geri çıkması mümkün değildir.
- MRK 16 ve 35'in köprüleme sistemi vidalı üst köprüdür.

MRK SERIES SCREWED TYPE RAIL TERMINAL BLOCKS MRK SERİSİ VİDALI TİP RAY KLEMENSLER



MRK 1.5
Order No: 1002



Dimensions Ölçüler (mm)	A	B	C	D	E
	40,0	40,0	34,5	36,5	5,1

MATERIAL / MATERYAL

Body / Gövde	PA6.6 V2
Bridge / Köprü	Copper / Bakır
Contact / Kontakt	CK45 Steel / Çelik
Screw / Vida	Steel / Çelik
Temp./ Sıcaklık	-40 °C, +140 °C
Cable Strip L. / Soyma Boyu	10 mm
Torque / Tork	0,4 Nm

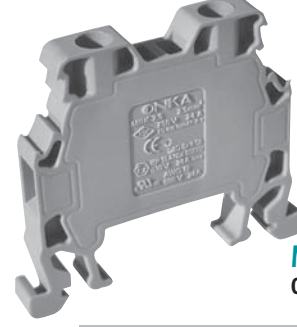
DATA / VERİ	TSE / CE	UL
Voltage / Gerilim	750 V	300 V
Current / Akım	17.5 A	17.5 A
Section / Kesit	1,5 mm ²	14 AWG
Norm	EN-60947-7-1	UL 1059

RENKLER / COLOURS

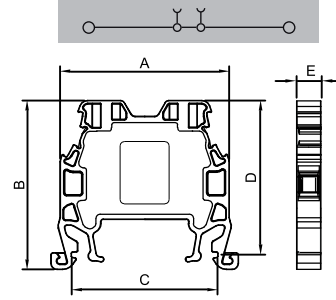
RENK/COLOUR	Order No./ Sip.No.	Pcs./ Ad.
GREY / GRİ	1002	100
CREAM / KREM	1003	100
BLACK / SİYAH	1004	100
BLUE / MAVİ	1005	100
BROWN/K.RENGİ	1006	100
RED / KIRMIZI	1007	100
YELLOW / SARI	1008	100
GREEN / YEŞİL	1009	100

ACCESSORIES / AKSESUARLAR

Cross Connection / Köprü	Order No./ Sip. No.	Section/ Kesit	Pcs./ Ad.
	1920	1,5 / 2	100
	1921	1,5 / 3	100
	1922	1,5 / 4	100
	1923	1,5 / 10	30
	1924	1,5 / 20	20
Stopper / Durdurucu	1202,1222,1212		
Group Sticker/Grup Etiketi	1232		
Marking / Markalama	9770 / 4440 / 4442 / 9540 / 7301		



MRK 2.5
Order No: 1012



Dimensions Ölçüler (mm)	A	B	C	D	E
	40,0	40,0	34,5	36,5	5,9

MATERIAL / MATERYAL

Body / Gövde	PA6.6 V2
Bridge / Köprü	Copper / Bakır
Contact / Kontakt	CK45 Steel
Screw / Vida	Steel / Çelik
Temp./ Sıcaklık	-40 °C, +140 °C
Cable Strip L. / Soyma Boyu	10 mm
Torque / Tork	0,4 Nm

DATA / VERİ	TSE / CE	UL
Voltage / Gerilim	750 V	300 V
Current / Akım	24 A	24 A
Section / Kesit	2,5 mm ²	12 AWG
Norm	EN-60947-7-1	UL 1059

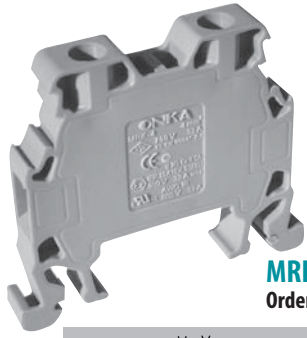
RENKLER / COLOURS

RENK/COLOUR	Order No./ Sip.No.	Pcs./ Ad.
GREY / GRİ	1012	100
CREAM / KREM	1013	100
BLACK / SİYAH	1014	100
BLUE / MAVİ	1015	100
BROWN/K.RENGİ	1016	100
RED / KIRMIZI	1017	100
YELLOW / SARI	1018	100
GREEN / YEŞİL	1019	100

ACCESSORIES / AKSESUARLAR

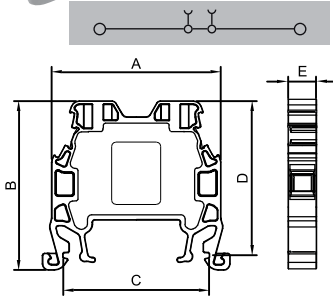
Cross Connection / Köprü	Order No./ Sip. No.	Section/ Kesit	Pcs./ Ad.
	1925	2,5 / 2	100
	1926	2,5 / 3	100
	1927	2,5 / 4	75
	1928	2,5 / 10	30
	1929	2,5 / 20	20
Stopper / Durdurucu	1202,1222,1212		
Group Sticker/Grup Etiketi	1232		
Marking / Markalama	9770 / 4440 / 4442 / 9540 / 7301		

MRK SERIES SCREWED TYPE RAIL TERMINAL BLOCKS MRK SERİSİ VİDALI TİP RAY KLEMENSLER



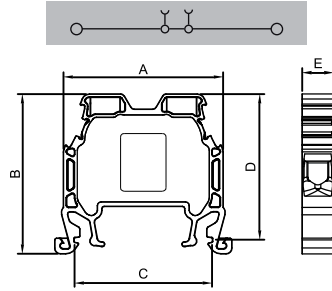
MRK 4

Order No: 1022



MRK 6

Order No: 1032



Dimensions Ölçüler (mm)	A	B	C	D	E
	40,0	40,0	34,5	36,5	6,7

MATERIAL / MATERYAL	
Body / Gövde	PA6.6 V2
Bridge / Köprü	Copper / Bakır
Contact / Kontak	CK45 Steel / Çelik
Screw / Vida	Steel / Çelik
Temp./ Sıcaklık	-40 °C, +140 °C
Cable Strip L./ Soyma Boyu	10 mm
Torque / Tork	0,5 Nm

DATA / VERİ	TSE / CE	UL
Voltage / Gerilim	750 V	300 V
Current / Akım	32 A	32 A
Section / Kesit	4,0 mm ²	10 AWG
Norm	EN-60947-7-1	UL 1059

RENKLER / COLOURS		
RENK/COLOUR	Order No./ Sip.No.	Pcs. /Ad.
GREY / GRİ	1022	100
CREAM / KREM	1023	100
BLACK / SİYAH	1024	100
BLUE / MAVİ	1025	100
BROWN/K.RENGİ	1026	100
RED / KIRMIZI	1027	100
YELLOW / SARI	1028	100
GREEN / YEŞİL	1029	100

ACCESSORIES / AKSESUARLAR			
Cross Connection / Köprü	Order No./ Sip. No.	Section/ Kesit	Pcs./ Ad.
	1930	4 / 2	100
	1931	4 / 3	100
	1932	4 / 4	50
	1933	4 / 10	30
	1934	4 / 20	20
Stopper / Durdurucu	1202,1222,1212		
Group Sticker/Grup Etiketi	1232		
Marking / Markalama	9770 / 4440 / 4442 / 9540 / 7301		

Dimensions Ölçüler (mm)	A	B	C	D	E
	40,0	40,0	34,5	36,5	8,2

MATERIAL / MATERYAL	
Body / Gövde	PA6.6 V2
Bridge / Köprü	Copper / Bakır
Contact / Kontak	CK45 Steel / Çelik
Screw / Vida	Steel / Çelik
Temp./ Sıcaklık	-40 °C, +140 °C
Cable Strip L./ Soyma Boyu	12 mm
Torque / Tork	0,8 Nm

DATA / VERİ	TSE / CE	UL
Voltage / Gerilim	750 V	300 V
Current / Akım	41 A	41 A
Section / Kesit	6 mm ²	8 AWG
Norm	EN-60947-7-1	UL 1059

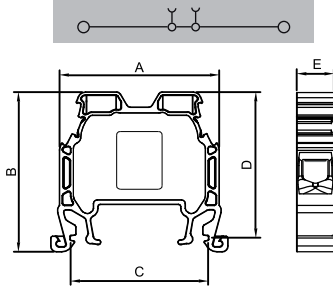
RENKLER / COLOURS		
RENK/COLOUR	Order No./ Sip.No.	Pcs. /Ad.
GREY / GRİ	1032	100
CREAM / KREM	1033	100
BLACK / SİYAH	1034	100
BLUE / MAVİ	1035	100
BROWN/K.RENGİ	1036	100
RED / KIRMIZI	1037	100
YELLOW / SARI	1038	100
GREEN / YEŞİL	1039	100

ACCESSORIES / AKSESUARLAR			
Cross Connection / Köprü	Order No./ Sip. No.	Section/ Kesit	Pcs./ Ad.
	1935	6 / 2	100
	1936	6 / 3	50
	1937	6 / 4	50
	1938	6 / 10	15
	1939	6 / 20	10
Stopper / Durdurucu	1202,1222,1212		
Group Sticker/Grup Etiketi	1232		
Marking / Markalama	9770 / 4440 / 4442 / 9540 / 7301		

MRK SERIES SCREWED TYPE RAIL TERMINAL BLOCKS MRK SERİSİ VİDALI TİP RAY KLEMENSLER



MRK 10
Order No: 1042



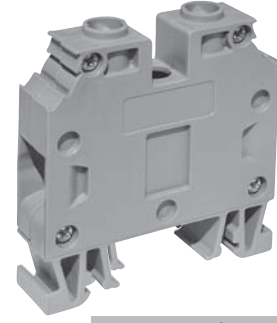
Dimensions Ölçüler (mm)	A	B	C	D	E
	40,0	40,0	34,5	36,5	9,5

MATERIAL / MATERYAL	
Body / Gövde	PA6.6 V2
Bridge / Köprü	Copper / Bakır
Contact / Kontak	CK45 Steel / Çelik
Screw / Vida	Steel / Çelik
Temp./ Sıcaklık	-40 °C, +140 °C
Cable Strip L. / Soyma Boyu	12 mm
Torque / Tork	0,8 Nm

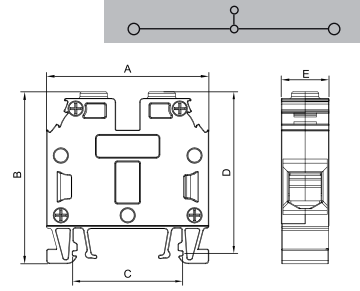
DATA / VERİ	TSE / CE	UL
Voltage / Gerilim	750 V	600 V
Current / Akım	57 A	57 A
Section / Kesit	10 mm ²	8 AWG
Norm	EN-60947-7-1	UL 1059

RENKLER / COLOURS		
RENK/COLOUR	Order No./ Sip.No.	Pcs./ Ad.
GREY / GRİ	1042	100
CREAM / KREM	1043	100
BLACK / SİYAH	1044	100
BLUE / MAVİ	1045	100
BROWN/K.RENGİ	1046	100
RED / KIRMIZI	1047	100
YELLOW / SARI	1048	100
GREEN / YEŞİL	1049	100

ACCESSORIES / AKSESUARLAR			
Cross Connection / Köprü	Order No./ Sip. No.	Section/ Kesit	Pcs./ Ad.
	1940	10 / 2	100
	1941	10 / 3	50
	1942	10 / 4	50
	1943	10 / 10	15
	1944	10 / 20	10
Stopper / Durdurucu	1202,1222,1212		
Group Sticker/Grup Etiketi	1232		
Marking / Markalama	9770 / 4440 / 4442 / 9540 / 7301		



MRK 16
Medium Size
Orta Boy
Order No: 1132



Dimensions Ölçüler (mm)	A	B	C	D	E
	51,0	54,0	34,5	51,0	12,0

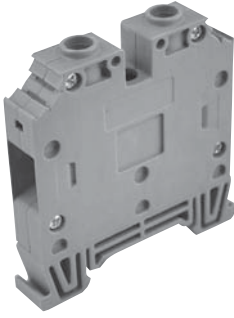
MATERIAL / MATERYAL	
Body / Gövde	PA6.6 V2
Bridge / Köprü	Copper / Bakır
Contact / Kontak	CK45 Steel / Çelik
Screw / Vida	Steel / Çelik
Temp./ Sıcaklık	-40 °C, +140 °C
Cable Strip L. / Soyma Boyu	18 mm
Torque / Tork	2,0 Nm

DATA / VERİ	TSE / CE	UL
Voltage / Gerilim	750 V	600 V
Current / Akım	76 A	63 A
Section / Kesit	16 mm ²	6 AWG
Norm	EN-60947-7-1	UL 1059

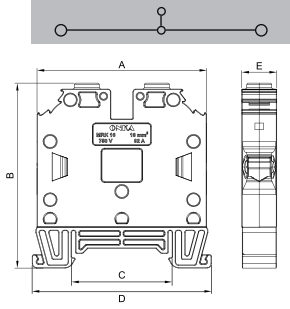
RENKLER / COLOURS		
RENK/COLOUR	Order No./ Sip.No.	Pcs./ Ad.
GREY / GRİ	1132	50
CREAM / KREM	1133	50
BLACK / SİYAH	1134	50
BLUE / MAVİ	1135	50
BROWN/K.RENGİ	1136	50
RED / KIRMIZI	1137	50
YELLOW / SARI	1138	50
GREEN / YEŞİL	1139	50

ACCESSORIES / AKSESUARLAR			
Cross Connection / Köprü	Order No./ Sip. No.	Section/ Kesit	Pcs./ Ad.
	2257	16 / 2	50
	2258	16 / 3	40
	2259	16 / 4	40
	2260	16 / 5	25
	2265	16 / 10	10
	Stopper / Durdurucu	1202,1222,1212	
Group Sticker/Grup Etiketi	1232		
Marking / Markalama	9770 / 4440 / 4442 / 9540 / 7301		

MRK SERIES SCREWED TYPE RAIL TERMINAL BLOCKS MRK SERİSİ VİDALI TİP RAY KLEMENSLER



MRK 16
Order No: 1052



Dimensions Ölçüler (mm)	A	B	C	D	E
	58,0	63,2	34,5	61,2	12,0

MATERIAL / MATERYAL

Body / Gövde	PA6.6 V2
Bridge / Köprü	Copper / Bakır
Contact / Kontak	CK45 Steel / Çelik
Screw / Vida	Steel / Çelik
Temp./ Sıcaklık	-40 °C, +140 °C
Cable Strip L./ Soyma Boyu	18 mm
Torque / Tork	2,0 Nm

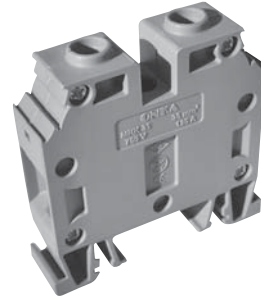
DATA / VERİ	TSE / CE	UL
Voltage / Gerilim	750 V	600 V
Current / Akım	76 A	63 A
Section / Kesit	16 mm ²	6 AWG
Norm	EN-60947-7-1	UL 1059

RENKLER / COLOURS

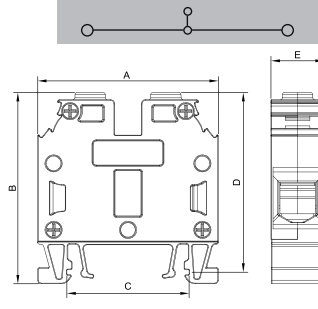
RENK/COLOUR	Order No./ Sip.No.	Pcs. /Ad.
GREY / GRİ	1052	50
CREAM / KREM	1053	50
BLACK / SİYAH	1054	50
BLUE / MAVİ	1055	50
BROWN/K.RENGİ	1056	50
RED / KIRMIZI	1057	50
YELLOW / SARI	1058	50
GREEN / YEŞİL	1059	50

ACCESSORIES / AKSESUARLAR

Cross Connection / Köprü	Order No./ Sip. No.	Section/ Kesit	Pcs./ Ad.
	2257	16 / 2	50
	2258	16 / 3	40
	2259	16 / 4	40
	2260	16 / 5	25
	2265	16 / 10	10
	Stopper / Durdurucu	1202,1222,1212	
Group Sticker/Grup Etiketi	1232		
Marking / Markalama	9770 / 4440 / 4442 / 9540 / 7301		



MRK 35
Medium Size
Orta Boy
Order No: 1142



Dimensions Ölçüler (mm)	A	B	C	D	E
	50,7	54,0	34,5	51,0	15,0

MATERIAL / MATERYAL

Body / Gövde	PA6.6 V2
Bridge / Köprü	Copper / Bakır
Contact / Kontak	CK45 Steel / Çelik
Screw / Vida	Steel / Çelik
Temp./ Sıcaklık	-40 °C, +140 °C
Cable Strip L./ Soyma Boyu	18 mm
Torque / Tork	2,0 Nm

DATA / VERİ	TSE / CE
Voltage / Gerilim	750 V
Current / Akım	125 A
Section / Kesit	35 mm ²
Norm	EN-60947-7-1

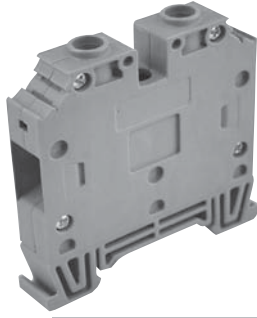
RENKLER / COLOURS

RENK/COLOUR	Order No./ Sip.No.	Pcs. /Ad.
GREY / GRİ	1142	30
CREAM / KREM	1143	30
BLACK / SİYAH	1144	30
BLUE / MAVİ	1145	30
BROWN/K.RENGİ	1146	30
RED / KIRMIZI	1147	30
YELLOW / SARI	1148	30
GREEN / YEŞİL	1149	30

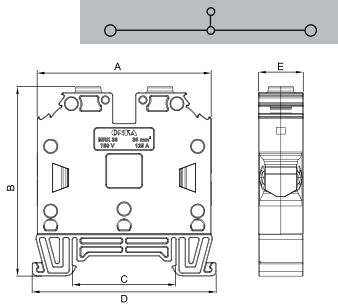
ACCESSORIES / AKSESUARLAR

Cross Connection / Köprü	Order No./ Sip. No.	Section/ Kesit	Pcs./ Ad.
	2266	35 / 2	50
	2267	35 / 3	40
	2268	35 / 4	40
	2269	35 / 5	25
	2274	35 / 10	10
	Stopper / Durdurucu	1202,1222,1212	
Group Sticker/Grup Etiketi	1232		
Marking / Markalama	9770 / 4440 / 4442 / 9540 / 7301		

MRK SERIES SCREWED TYPE RAIL TERMINAL BLOCKS MRK SERİSİ VİDALI TİP RAY KLEMENSLER



MRK 35
Order No: 1062



Dimensions Ölçüler (mm)	A	B	C	D	E
	58,0	63,2	34,5	61,2	15,0

MATERIAL / MATERYAL

Body / Gövde	PA6.6 V2
Bridge / Köprü	Copper / Bakır
Contact / Kontak	CK45 Steel / Çelik
Screw / Vida	Steel / Çelik
Temp./ Sıcaklık	-40 °C, +140 °C
Cable Strip L. / Soyma Boyu	18 mm
Torque / Tork	2,0 Nm

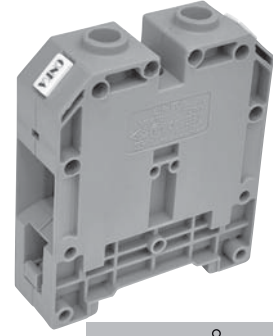
DATA / VERİ	TSE / CE
Voltage / Gerilim	750 V
Current / Akım	125 A
Section / Kesit	35 mm ²
Norm	EN-60947-7-1

RENKLER / COLOURS

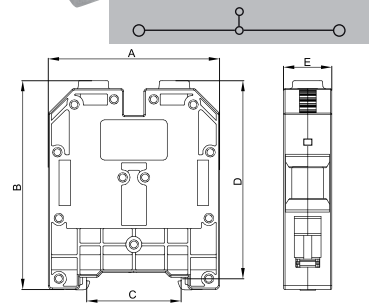
RENK/COLOUR	Order No./ Sip.No.	Pcs./Ad.
GREY / GRİ	1062	30
CREAM / KREM	1063	30
BLACK / SİYAH	1064	30
BLUE / MAVİ	1065	30
BROWN/K.RENGİ	1066	30
RED / KIRMIZI	1067	30
YELLOW / SARI	1068	30
GREEN / YEŞİL	1069	30

ACCESSORIES / AKSESUARLAR

Cross Connection / Köprü	Order No./ Sip. No.	Section/ Kesit	Pcs./ Ad.
	2266	35 / 2	50
	2267	35 / 3	40
	2268	35 / 4	40
	2269	35 / 5	25
	2274	35 / 10	10
Stopper / Durdurucu	1202,1222,1212		
Group Sticker/Grup Etiketi	1232		
Marking / Markalama	9770 / 4440 / 4442 / 9540 / 7301		



MRK 50
Order No: 1072



Dimensions Ölçüler (mm)	A	B	C	D	E
	64,0	78,0	34,5	74,0	18,0

MATERIAL / MATERYAL

Body / Gövde	PA6.6 V2
Bridge / Köprü	Copper / Bakır
Contact / Kontak	DKP
Screw / Vida	Steel / Çelik
Temp./ Sıcaklık	-40 °C, +140 °C
Cable Strip L. / Soyma Boyu	18 mm
Torque / Tork	6,0 Nm

DATA / VERİ	TSE / CE	UL
Voltage / Gerilim	750 V	600 V
Current / Akım	150 A	100 A
Section / Kesit	50 mm ²	AWG 1/0 str
Norm	EN-60947-7-1	UL 1059

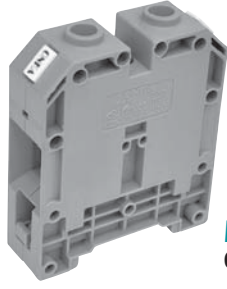
RENKLER / COLOURS

RENK/COLOUR	Order No./ Sip.No.	Pcs./Ad.
GREY / GRİ	1072	20
CREAM / KREM	1073	20
BLACK / SİYAH	1074	20
BLUE / MAVİ	1075	20
BROWN/K.RENGİ	1076	20
RED / KIRMIZI	1077	20
YELLOW / SARI	1078	20
GREEN / YEŞİL	1079	20

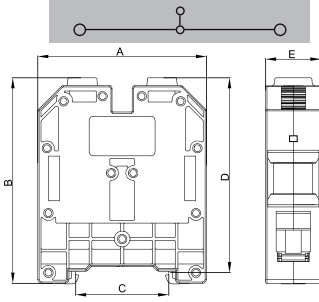
ACCESSORIES / AKSESUARLAR

Stopper / Durdurucu	1202,1222,1212	
Group Sticker/Grup Etiketi	1232	
Marking / Markalama	9770 / 4440 / 4442 / 9540	

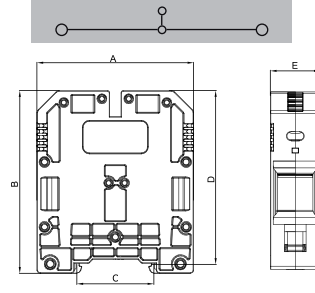
MRK SERIES SCREWED TYPE RAIL TERMINAL BLOCKS MRK SERİSİ VİDALI TİP RAY KLEMENSLER



MRK 70
Order No: 1082



MRK 95
Order No: 1092



Dimensions Ölçüler (mm)	A	B	C	D	E
	64,0	78,0	34,5	74,0	21,0

MATERIAL / MATERYAL	
Body / Gövde	PA6.6 V2
Bridge / Köprü	Copper / Bakır
Contact / Kontak	DKP
Screw/ Vida	Steel / Çelik
Temp./ Sıcaklık	-40 °C, +140 °C
Cable Strip L. / Soyma Boyu	20 mm
Torque / Tork	6,0 Nm

DATA / VERİ	TSE / CE	UL
Voltage / Gerilim	750 V	600 V
Current / Akım	192 A	125 A
Section / Kesit	70 mm ²	AWG 2/O str
Norm	EN-60947-7-1	UL 1059

RENKLER / COLOURS		
RENK/COLOUR	Order No. / Sip.No.	Pcs. /Ad.
GREY / GRİ	1082	20
CREAM / KREM	1083	20
BLACK / SİYAH	1084	20
BLUE / MAVİ	1085	20
BROWN/K.RENGİ	1086	20
RED / KIRMIZI	1087	20
YELLOW / SARI	1088	20
GREEN / YEŞİL	1089	20

ACCESSORIES / AKSESUARLAR	
Stopper / Durdurucu	1202,1222,1212
Group Sticker/Grup Etiketi	1232
Marking / Markalama	9770 / 4440 / 4442 / 9540

Dimensions Ölçüler (mm)	A	B	C	D	E
	75,0	88,0	34,5	83,0	23,8

MATERIAL / MATERYAL	
Body / Gövde	PA6.6 V2
Bridge / Köprü	Copper / Bakır
Contact / Kontak	DKP
Screw/ Vida	Steel / Çelik
Temp./ Sıcaklık	-40 °C, +140 °C
Cable Strip L. / Soyma Boyu	20 mm
Torque / Tork	6,0 Nm

DATA / VERİ	TSE / CE
Voltage / Gerilim	100 V
Current / Akım	232 A
Section / Kesit	95 mm ²
Norm	EN-60947-7-1

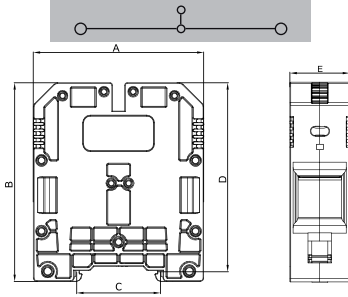
RENKLER / COLOURS		
RENK/COLOUR	Order No. / Sip.No.	Pcs. /Ad.
GREY / GRİ	1092	10
CREAM / KREM	1093	10
BLACK / SİYAH	1094	10
BLUE / MAVİ	1095	10
BROWN/K.RENGİ	1096	10
RED / KIRMIZI	1097	10
YELLOW / SARI	1098	10
GREEN / YEŞİL	1099	10

ACCESSORIES / AKSESUARLAR	
Stopper / Durdurucu	1202,1222,1212
Group Sticker/Grup Etiketi	1232
Marking / Markalama	9770 / 4440 / 4442 / 9540

MRK SERIES SCREWED TYPE RAIL TERMINAL BLOCKS MRK SERİSİ VİDALI TİP RAY KLEMENSLER



MRK 120
Order No: 1102



Dimensions Ölçüler (mm)	A	B	C	D	E
	75,0	88,0	34,5	83,0	26,0

MATERIAL / MATERYAL

Body / Gövde	PA6.6 V2
Bridge / Köprü	Copper / Bakır
Contact / Kontak	DKP
Screw / Vida	Steel / Çelik
Temp./ Sıcaklık	-40 °C, +140 °C
Cable Strip L. / Soyma Boyu	20 mm
Torque / Tork	6,0 Nm

DATA / VERİ	TSE / CE
Voltage / Gerilim	1000 V
Current / Akım	269 A
Section / Kesit	120 mm ²
Norm	EN-60947-7-1

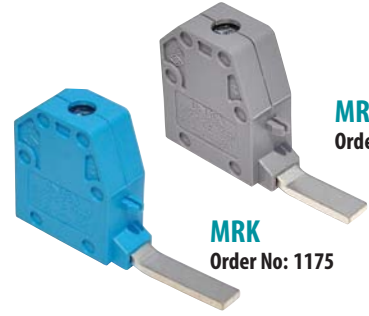
RENKLER / COLOURS

RENK/COLOUR	Order No./ Sip.No.	Pcs./Ad.
GREY / GRİ	1102	10
CREAM / KREM	1103	10
BLACK / SİYAH	1104	10
BLUE / MAVİ	1105	10
BROWN/K.RENGİ	1106	10
RED / KIRMIZI	1107	10
YELLOW / SARI	1108	10
GREEN / YEŞİL	1109	10

ACCESSORIES / AKSESUARLAR

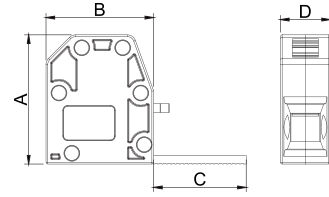
Stopper / Durdurucu	1202,1222,1212
Group Sticker/Grup Etiketi	1232
Marking / Markalama	9770 / 4440 / 4442 / 9540

MRK SERIES TRANSFER CONNECTORS MRK SERİSİ EK ALMA KLEMENSİ



MRK
Order No: 1162

MRK
Order No: 1175



Dimensions Ölçüler (mm)	Code	A	B	C	D
	1162	30	25	18	11,5
	1175	30	25	23	11,5

MATERIAL / MATERYAL

Body / Gövde	PA6.6 V2
Bridge / Köprü	Copper / Bakır
Contact / Kontak	CK45 Steel / Çelik
Screw / Vida	Steel / Çelik
Temp./ Sıcaklık	-40 °C, +140 °C
Cable Strip L. / Soyma Boyu	18 mm
Torque / Tork	2,0 Nm

DATA / VERİ	TSE / CE
Voltage / Gerilim	750 V
Current / Akım	76 A
Section / Kesit	16 mm ²
Norm	EN-60947-7-1

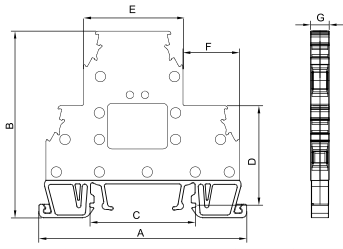
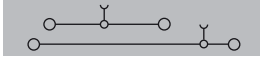
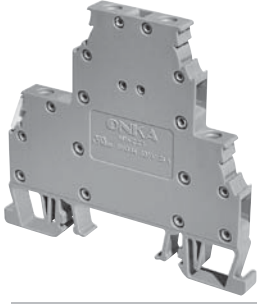
RENKLER / COLOURS

RENK/COLOUR	Order No./ Sip.No.	Pcs./Ad.
GREY / GRİ	1162	100
CREAM / KREM	1163	100
BLACK / SİYAH	1164	100
BLUE / MAVİ	1165	100
BROWN/K.RENGİ	1166	100
RED / KIRMIZI	1167	100
YELLOW / SARI	1168	100
GREEN / YEŞİL	1169	100

ACCESSORIES / AKSESUARLAR

Marking / Markalama	9540
------------------------	------

MRK SERIES SCREWED TYPE DOUBLE RAIL TERMINAL BLOCKS MRK SERİSİ VİDALI TİP ÇİFT KATLI RAY KLEMENSLER



MRK-C 2,5
Order No: 1612

Dimensions Ölçüler (mm)	A	B	C	D	E	F	G
	67,0	61,0	34,5	32,5	32,5	18,0	5,9

MATERIAL / MATERYAL

Body / Gövde	PA6.6 V2
Bridge / Köprü	Copper / Bakır
Contact / Kontak	CK45 Steel
Screw / Vida	Steel / Çelik
Temp./Sıcaklık	-40 °C, +140 °C
Cable Strip L. / Soyma Boyu	9 mm
Torque / Tork	0,4 Nm

DATA / VERİ	TSE / CE	UL
Voltage / Gerilim	500 V	300 V
Current / Akım	24 A	24 A
Section / Kesit	2,5 mm ²	12 AWG
Norm	EN-60947-7-1	UL 1059

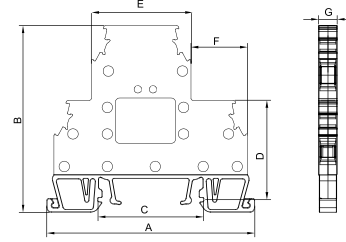
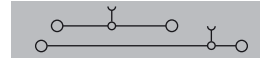
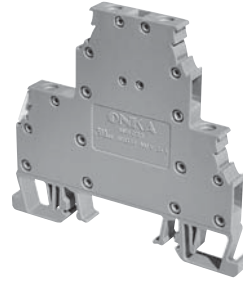
RENKLER / COLOURS

RENK/COLOUR	Order No./Sip.No.	Pcs./Ad.
GREY / GRİ	1612	50
CREAM / KREM	1613	50
BLACK / SİYAH	1614	50
BLUE / MAVİ	1615	50
BROWN/K.RENGİ	1616	50
RED / KIRMIZI	1617	50
YELLOW / SARI	1618	50
GREEN / YEŞİL	1619	50

ACCESSORIES / AKSESUARLAR

Cross Connection / Köprü	Order No./ Sip. No.	Section/ Kesit	Pcs./ Ad.
	1925	2,5 / 2	100
	1926	2,5 / 3	100
	1927	2,5 / 4	75
	1928	2,5 / 10	30
	1929	2,5 / 20	20
	Stopper / Durdurucu	1202,1222,1212	
Group Sticker/Grup Etiketi	1232		
Marking/Markalama	9770 / 4440 / 4442 / 9540 / 7301		
Bridged / Köprülü	1622		
Diode / Diyotlu	1632		
Led / Ledli	1642		

MRK SERIES SCREWED TYPE DOUBLE RAIL TERMINAL BLOCKS MRK SERİSİ VİDALI TİP ÇİFT KATLI RAY KLEMENSLER



MRK-C 4
Order No: 1652

Dimensions Ölçüler (mm)	A	B	C	D	E	F	G
	67,0	61,0	34,5	32,5	32,5	18,0	6,7

MATERIAL / MATERYAL

Body / Gövde	PA6.6 V2
Bridge / Köprü	Copper / Bakır
Contact / Kontak	CK45 Steel
Screw / Vida	Steel / Çelik
Temp./Sıcaklık	-40 °C, +140 °C
Cable Strip L. / Soyma Boyu	9 mm
Torque / Tork	0,5 Nm

DATA / VERİ	TSE / CE	UL
Voltage / Gerilim	500 V	300 V
Current / Akım	32 A	32 A
Section / Kesit	4 mm ²	10 AWG
Norm	EN-60947-7-1	UL 1059

RENKLER / COLOURS

RENK/COLOUR	Order No./Sip.No.	Pcs./Ad.
GREY / GRİ	1652	50
CREAM / KREM	1653	50
BLACK / SİYAH	1654	50
BLUE / MAVİ	1655	50
BROWN/K.RENGİ	1656	50
RED / KIRMIZI	1657	50
YELLOW / SARI	1658	50
GREEN / YEŞİL	1659	50

ACCESSORIES / AKSESUARLAR

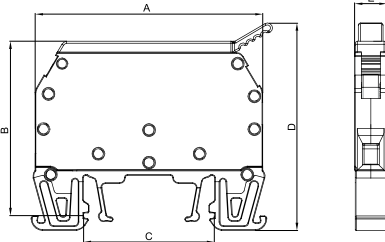
Cross Connection / Köprü	Order No./ Sip. No.	Section/ Kesit	Pcs./ Ad.
	1930	4 / 2	100
	1931	4 / 3	50
	1932	4 / 4	50
	1933	4 / 10	30
	1934	4 / 20	20
	Stopper / Durdurucu	1202,1222,1212	
Group Sticker/Grup Etiketi	1232		
Marking/Markalama	9770 / 4440 / 4442 / 9540 / 7301		
Bridged / Köprülü	1662		
Diode / Diyotlu	1672		
Led / Ledli	1682		

MRK SERIES SCREWED TYPE FUSED RAIL TERMINAL BLOCKS MRK SERİSİ VİDALI TİP SİGORTALI RAY KLEMENSLER



MRK-S 6

Order No: 1322



Dimensions Ölçüler (mm)	A	B	C	D	E
	60,0	47,0	34,5	54,6	8,8

MATERIAL / MATERYAL

Body / Gövde	PA6.6 V2				
Bridge / Köprü	Copper / Bakır				
Contact / Kontak	CK45 Steel				
Screw/ Vida	Steel / Çelik				
Temp./ Sıcaklık	-40 °C, +140 °C				
Cable Strip L./ Soyma Boyu	10 mm				
Torque / Tork	0,8 Nm				

DATA / VERİ	TSE / CE	UL
Voltage / Gerilim	750 V	600 V
Current / Akım	6,3 A	6,3 A
Section / Kesit	6 mm ²	8 AWG
Norm	EN-60947-7-1	UL 1059

RENKLER / COLOURS

RENK/COLOUR	Order No. / Sip.No.	Pcs. /Ad.
GREY / GRİ	1322	100

ACCESSORIES / AKSESUARLAR

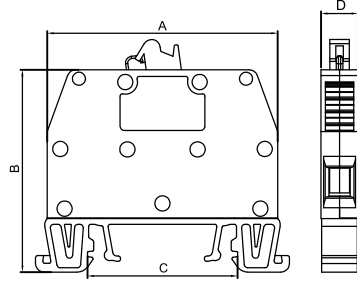
Types / Tipler	Order No./Sip. No.	Pcs./Ad.
With Busbar	1332	100
24 V AC/DC Led	1352	100
48 V AC/DC Led	1372	100
110 V AC/DC Led	1392	100
220 V AC/DC Led	1402	100
Stopper / Durdurucu	1202,1222,1212	
Group Sticker/Grup Etiketi	1232	
Marking / Markalama	9770 / 4440 / 4442 / 9540	
Glass Fuse / Cam Sigorta	WE-FS-52	

MRK SERIES SCREWED TYPE TEST CONNECTORS MRK SERİSİ VİDALI TİP TEST KLEMENSLERİ



MRK TEST - 6

Order No: 1316



Dimensions Ölçüler (mm)	A	B	C	D
	52,8	46,3	34,5	8,5

MATERIAL / MATERYAL

Body / Gövde	PA6.6 V2			
Bridge / Köprü	Copper / Bakır			
Contact / Kontak	CK45 Steel / Çelik			
Screw/ Vida	Brass / Pirinç			
Temp./ Sıcaklık	-40 °C, +140 °C			
Cable Strip L./ Soyma Boyu	12 mm			
Torque / Tork	0,8 Nm			

DATA / VERİ	TSE / CE	UL
Voltage / Gerilim	750 V	600 V
Current / Akım	41 A	41 A
Section / Kesit	6 mm ²	8 AWG
Norm	EN-60947-7-1	UL 1059

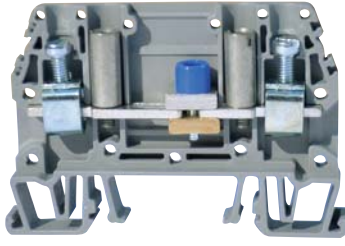
RENKLER / COLOURS

RENK/COLOUR	Order No. / Sip.No.	Pcs. /Ad.
GREY / GRİ	1316	100
BEIGE / BEJ	1317	100

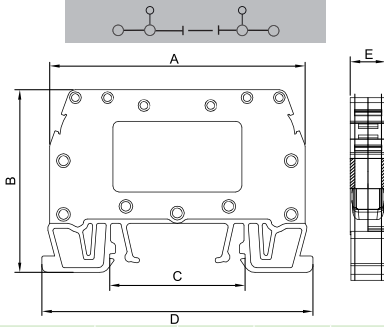
ACCESSORIES / AKSESUARLAR

Stopper / Durdurucu	1202,1222,1212
Group Sticker/Grup Etiketi	1232
Marking / Markalama	9770 / 4440 / 4442 / 9540

MRK SERIES SCREWED TYPE TEST CONNECTORS MRK SERİSİ VİDALI TİP TEST KLEMENSLERİ



MRK TEST - 10
Double Expulsive
Çift Kovanlı
Order No: 1312



Dimensions Ölçüler (mm)	A	B	C	D	E
	65,0	46,5	34,5	68,0	9,1

MATERIAL / MATERYAL

Body / Gövde	PA6.6 V2
Bridge / Köprü	Copper / Bakır
Contact / Kontak	CK45 Steel / Çelik
Screw / Vida	Steel / Çelik
Temp./ Sıcaklık	-40 °C, +140 °C
Cable Strip L. / Soyma Boyu	12 mm
Torque / Tork	0,8 Nm

DATA / VERİ	TSE / CE	UL
Voltage / Gerilim	750 V	600 V
Current / Akım	57 A	50 A
Section / Kesit	10 mm ²	8 AWG
Norm	EN-60947-7-1	UL 1059

RENKLER / COLOURS

RENK/COLOUR	Order No. / Sip.No.	Pcs. /Ad.
BEIGE / BEJ	1315	75

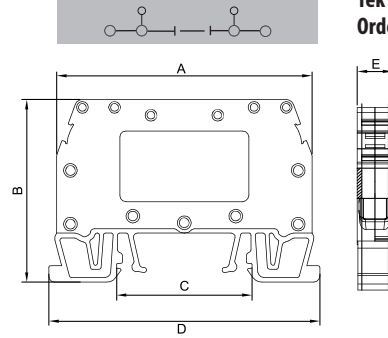
ACCESSORIES / AKSESUARLAR

Types / Tipler	Order No./Sip. No.	Pcs./ Ad.
Without Expulsive/ Kovansız	1313	75
Single Expulsive / Tek Kovanlı	1314	75
Single Test / Tek Test Kovanlı	1306	75
Double Test /Çift Test Kovanlı	1308	75
4 Poles Test Con. Set /4'lü Test Set	1305	100
Upper Bridge 2 Poles /2'li Üst Köprü	1303	100
Upper Bridge 4 Poles /4'li Üst Köprü	1318	50
Upper Bridge 8 Poles / 8'li Üst Köprü	1302	50
Testing Screw /Test Kovanı	1319	50
Stopper / Durdurucu	1202,1222,1212	
Group Sticker / Grup Etiketi	1232	
Marking / Markalama	9770 / 4440 / 4442 / 9540	

MRK SERIES SCREWED TYPE TEST CONNECTORS MRK SERİSİ VİDALI TİP TEST KLEMENSLERİ



MRK TEST - 10
Single Test
Tek Test Kovanlı
Order No: 1306



Dimensions Ölçüler (mm)	A	B	C	D	E
	65,0	46,5	34,5	69,0	9,0

MATERIAL / MATERYAL

Body / Gövde	PA6.6 V2
Bridge / Köprü	Copper / Bakır
Contact / Kontak	CK45 Steel / Çelik
Screw / Vida	Steel / Çelik
Temp./ Sıcaklık	-40 °C, +140 °C
Cable Strip L. / Soyma Boyu	12 mm
Torque / Tork	0,8 Nm

DATA / VERİ	TSE / CE	UL
Voltage / Gerilim	750 V	600 V
Current / Akım	57 A	50 A
Section / Kesit	10 mm ²	8 AWG
Norm	EN-60947-7-1	UL 1059

RENKLER / COLOURS

RENK/COLOUR	Order No. / Sip.No.	Pcs. /Ad.
BEIGE / BEJ	1307	75

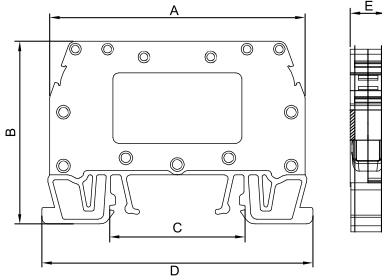
ACCESSORIES / AKSESUARLAR

Types / Tipler	Order No./Sip. No.	Pcs./ Ad.
Without Expulsive/ Kovansız	1313	75
Single Expulsive / Tek Kovanlı	1314	75
Double Expulsive / Çift Kovanlı	1312	75
Double Test /Çift Test Kovanlı	1308	75
4 Poles Test Con. Set /4'lü Test Set	1305	100
Upper Bridge 2 Poles /2'li Üst Köprü	1303	100
Upper Bridge 4 Poles /4'li Üst Köprü	1318	50
Upper Bridge 8 Poles / 8'li Üst Köprü	1302	50
Testing Screw /Test Kovanı	1319	50
Stopper / Durdurucu	1202,1222,1212	
Group Sticker / Grup Etiketi	1232	
Marking / Markalama	9770 / 4440 / 4442 / 9540	

MRK SERIES SCREWED TYPE TEST CONNECTORS MRK SERİSİ VİDALI TİP TEST KLEMENSLERİ



MRK TEST - 10
Double Test
Çift Test Kovanlı
Order No: 1308



Dimensions Ölçüler (mm)	A	B	C	D	E
	65,0	46,5	34,5	69,0	9,0

MATERIAL / MATERYAL

Body / Gövde	PA6.6 V2
Bridge / Köprü	Copper / Bakır
Contact / Kontak	CK45 Steel / Çelik
Screw / Vida	Steel / Çelik
Temp./ Sıcaklık	-40 °C, +140 °C
Cable Strip L. / Soyma Boyu	12 mm
Torque / Tork	0,8 Nm

DATA / VERİ	TSE / CE	UL
Voltage / Gerilim	750 V	600 V
Current / Akım	57 A	50 A
Section / Kesit	10 mm ²	8 AWG
Norm	EN-60947-7-1	UL 1059

RENKLER / COLOURS

RENK/COLOUR	Order No. / Sip.No.	Pcs. / Ad.
BEIGE / BEJ	1309	75

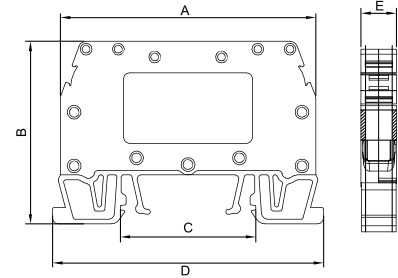
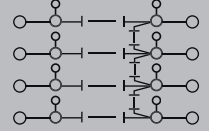
ACCESSORIES / AKSESUARLAR

Types / Tipler	Order No./Sip. No.	Pcs./ Ad.
Without Expulsive / Kovansız	1313	75
Single Expulsive / Tek Kovanlı	1314	75
Double Expulsive / Çift Kovanlı	1312	75
Single Test / Tek Test Kovanlı	1306	75
4 Poles Test Con. Set / 4'lü Test Set	1305	100
Upper Bridge 2 Poles / 2'li Üst Köprü	1303	100
Upper Bridge 4 Poles / 4'lü Üst Köprü	1318	50
Upper Bridge 8 Poles / 8'li Üst Köprü	1302	50
Testing Screw / Test Kovanı	1319	50
Stopper / Durdurucu	1202,1222,1212	
Group Sticker / Grup Etiketli	1232	
Marking / Markalama	9770 / 4440 / 4442 / 9540	

MRK SERIES SCREWED TYPE TEST CONNECTORS MRK SERİSİ VİDALI TİP TEST KLEMENSLERİ



MRK TEST - 10
4 Poles Test Con. Set
4'lü Test Set
Order No: 1305



Dimensions Ölçüler (mm)	A	B	C	D	E
	65,0	46,5	34,5	69,0	9,0

MATERIAL / MATERYAL

Body / Gövde	PA6.6 V2
Bridge / Köprü	Copper / Bakır
Contact / Kontak	CK45 Steel / Çelik
Screw / Vida	Steel / Çelik
Temp./ Sıcaklık	-40 °C, +140 °C
Cable Strip L. / Soyma Boyu	12 mm
Torque / Tork	0,8 Nm

DATA / VERİ	TSE / CE	UL
Voltage / Gerilim	750 V	600 V
Current / Akım	57 A	50 A
Section / Kesit	10 mm ²	8 AWG
Norm	EN-60947-7-1	UL 1059

ACCESSORIES / AKSESUARLAR

Types / Tipler	Order No./Sip. No.	Pcs./ Ad.
Without Expulsive / Kovansız	1313	75
Single Expulsive / Tek Kovanlı	1314	75
Double Expulsive / Çift Kovanlı	1312	75
Single Test / Tek Test Kovanlı	1306	75
Double Test / Çift Test Kovanlı	1308	75
Upper Bridge 2 Poles / 2'li Üst Köprü	1303	100
Upper Bridge 4 Poles / 4'lü Üst Köprü	1318	50
Upper Bridge 8 Poles / 8'li Üst Köprü	1302	50
Testing Screw / Test Kovanı	1319	50
Stopper / Durdurucu	1202,1222,1212	
Group Sticker / Grup Etiketli	1232	
Marking / Markalama	9770 / 4440 / 4442 / 9540	

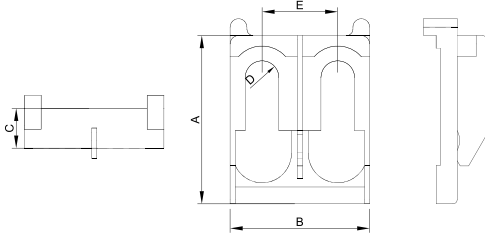
MRK SCREWED TEST CONNECTOR ACCESSORIES MRK TEST KLEMENSİ AKSESUARI



Upper Bridge for Testing
Connectors, 2 Poles
Order No: 1303



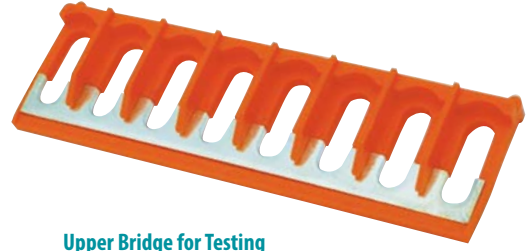
Upper Bridge for Testing
Connectors, 4 Poles
Order No: 1318



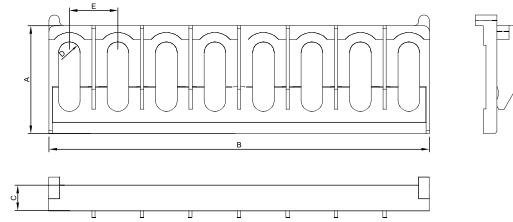
Dimensions Ölçüler (mm)	A	B	C	D	E
1303	22,0	22,0	4,7	4,0	9,0
1318	22,0	34,6	4,7	4,0	9,0

MATERIAL / MATERYAL	
Body / Gövde	PA6.6 V2
Temp./ Sıcaklık	-40 °C, +140 °C
Metal Leg / Metal Ayak	Brass / Pirinç

MRK SCREWED TEST CONNECTOR ACCESSORIES MRK TEST KLEMENSİ AKSESUARI



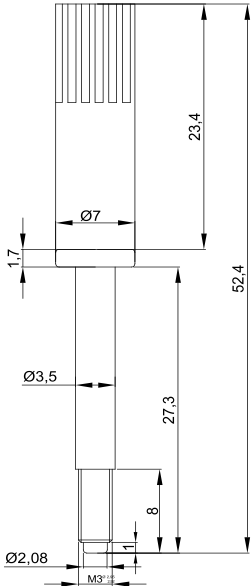
Upper Bridge for Testing
Connectors, 8 Poles
Order No: 1302



Dimensions Ölçüler (mm)	A	B	C	D	E
	22,0	71,0	4,7	4,0	9,0

MATERIAL / MATERYAL	
Body / Gövde	PA6.6 V2
Temp./ Sıcaklık	-40 °C, +140 °C
Metal Leg / Metal Ayak	Brass / Pirinç

MRK SCREWED TEST CONNECTOR ACCESSORIES MRK TEST KLEMENSİ AKSESUARI

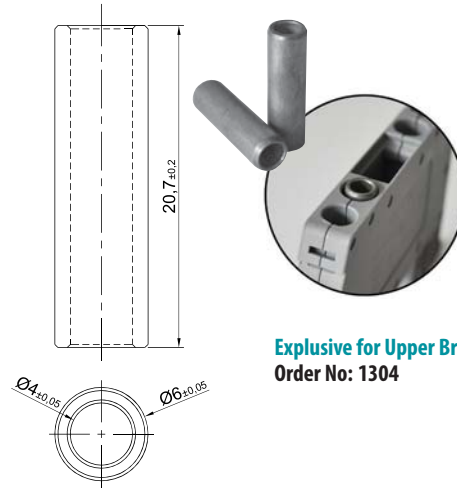


Testing Screw
Order No: 1319



MATERIAL / MATERYAL	
Body / Gövde	PA6.6 V2
Screw/ Vida	Brass / Pirinç
Temp./ Sıcaklık	-40 °C, +140 °C

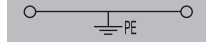
MRK SCREWED TEST CONNECTOR ACCESSORIES MRK TEST KLEMENSİ AKSESUARI



Explosive for Upper Bridge
Order No: 1304

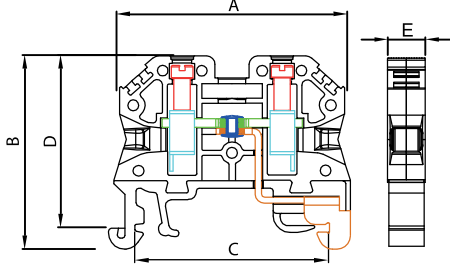
MATERIAL / MATERYAL	
Body / Gövde	Brass / Pirinç

MRK SERIES SCREWED EARTH RAIL TERMINAL BLOCKS MRK SERİSİ VİDALI TİP TOPRAKLAMA KLEMENSLERİ



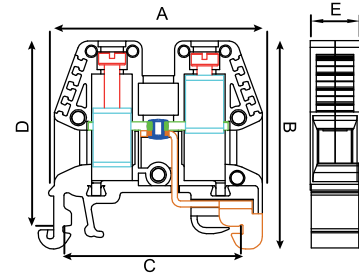
MTK 4

Order No: 1293



MTK 10

Order No: 1294



Dimensions Ölçüler (mm)	A	B	C	D	E
	40,5	35,0	34,5	31,2	7,0

MATERIAL / MATERYAL	
Body / Gövde	PA6.6 V2
Bridge / Köprü	Copper / Bakır
Contact / Kontak	CK45 Steel / Çelik
Screw / Vida	Steel / Çelik
The Foot Which Contact to the Rail / Raya Temas eden Ayak	Brass / Pirinç
Temp./ Sıcaklık	-40 °C, +140 °C
Cable Strip L. / Soyma Boyu	9 mm
Torque / Tork	0,5 Nm

DATA / VERİ	TSE / CE	UL
Voltage / Gerilim	750 V	300 V
Section / Kesit	4,0 mm ²	10 AWG
Norm	EN-60947-7-1	UL 1059

ACCESSORIES / AKSESUARLAR	
Stopper / Durdurucu	1202,1222,1212
Group Sticker/Grup Etiketi	1232
Marking / Markalama	9770 / 4440 / 4442 / 9540

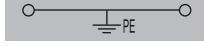
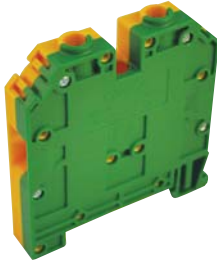
Dimensions Ölçüler (mm)	A	B	C	D	E
	40,5	40,5	34,5	37,5	9,7

MATERIAL / MATERYAL	
Body / Gövde	PA6.6 V2
Bridge / Köprü	Copper / Bakır
Contact / Kontak	CK45 Steel / Çelik
Screw / Vida	Steel / Çelik
The Foot Which Contact to the Rail / Raya Temas eden Ayak	Brass / Pirinç
Temp./ Sıcaklık	-40 °C, +140 °C
Cable Strip L. / Soyma Boyu	10 mm
Torque / Tork	0,8 Nm

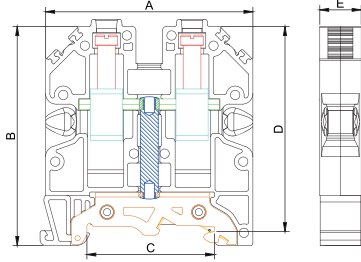
DATA / VERİ	TSE / CE	UL
Voltage / Gerilim	750 V	600 V
Section / Kesit	10 mm ²	8 AWG
Norm	EN-60947-7-1	UL 1059

ACCESSORIES / AKSESUARLAR	
Stopper / Durdurucu	1202,1222,1212
Group Sticker/Grup Etiketi	1232
Marking / Markalama	9770 / 4440 / 4442 / 9540

MRK SERIES SCREWED EARTH RAIL TERMINAL BLOCKS MRK SERİSİ VİDALI TİP TOPRAKLAMA KLEMENSLERİ



MTK 16
Order No: 1295



Dimensions Ölçüler (mm)	A	B	C	D	E
	58,2	63,5	34,5	57,0	11,6

MATERIAL / MATERYAL

Body / Gövde	PA6.6 V2				
Bridge / Köprü	Copper / Bakır				
Contact / Kontak	CK45 Steel / Çelik				
Screw/ Vida	Steel / Çelik				
The Foot Which Contact to the Rail/ Raya Temas eden Ayak	Brass / Pirinç				
Temp./ Sıcaklık	-40 °C, +140 °C				
Cable Strip L. / Soyma Boyu	16 mm				
Torque / Tork	1,2 Nm				

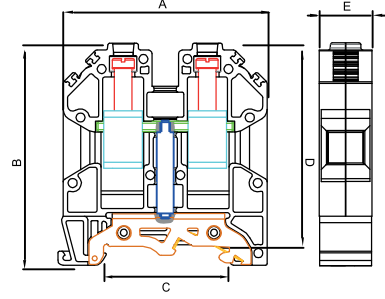
DATA / VERİ	TSE / CE	UL
Voltage / Gerilim	750 V	600 V
Section / Kesit	16 mm ²	6 AWG
Norm	EN-60947-7-1	UL 1059

ACCESSORIES / AKSESUARLAR

Stopper / Durdurucu	1202,1222,1212
Group Sticker/Grup Etiketi	1232
Marking / Markalama	9770 / 4440 / 4442 / 9540



MTK 35
Order No: 1296



Dimensions Ölçüler (mm)	A	B	C	D	E
	58,2	63,5	34,5	57,0	14,9

MATERIAL / MATERYAL

Body / Gövde	PA6.6 V2				
Bridge / Köprü	Copper / Bakır				
Contact / Kontak	CK45 Steel / Çelik				
Screw/ Vida	Steel / Çelik				
The Foot Which Contact to the Rail/ Raya Temas eden Ayak	Brass / Pirinç				
Temp./ Sıcaklık	-40 °C, +140 °C				
Cable Strip L. / Soyma Boyu	16 mm				
Torque / Tork	1,2 Nm				

DATA / VERİ	TSE / CE
Voltage / Gerilim	750 V
Section / Kesit	35 mm ²
Norm	EN-60947-7-1

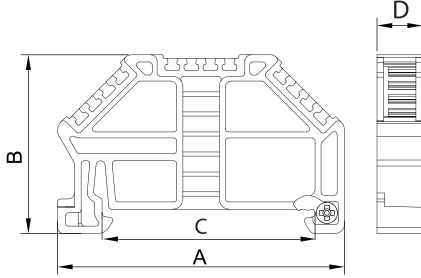
ACCESSORIES / AKSESUARLAR

Stopper / Durdurucu	1202,1222,1212
Group Sticker/Grup Etiketi	1232
Marking / Markalama	9770 / 4440 / 4442 / 9540

MRK AND OPK SERIES SCREWLESS STOPPER MRK VE OPK SERİSİ VİDASIZ DURDURUCU

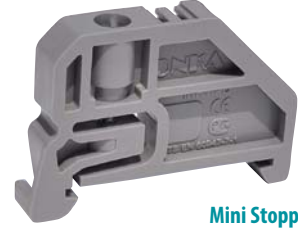


Screwless Stopper
Order No: 1202

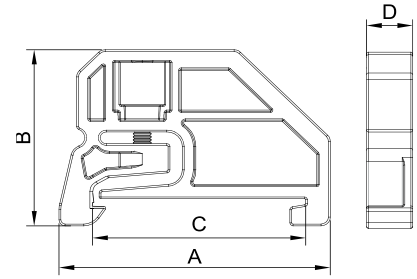


Dimensions Ölçüler (mm)	A	B	C	D
	47,4	29,5	34,5	7,5
MATERIAL / MATERYAL				
Body / Gövde	PA6.6 V2			
Temp./ Sıcaklık	-40 °C, +140 °C			
Metal Leg / Metal Ayak	Steel / Çelik			
ACCESSORIES / AKSESUARLAR				
Marking / Markalama	9770 / 4440 / 4442			

MRK AND OPK SERIES MINI STOPPER MRK VE OPK SERİSİ MİNİ DURDURUCU



Mini Stopper
Order No: 1222

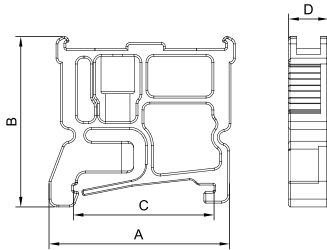


Dimensions Ölçüler (mm)	A	B	C	D
	43,0	30,0	34,5	7,5
MATERIAL / MATERYAL				
Body / Gövde	PA6.6 V2			
Screw/Vida	Steel / Çelik			
Temp./ Sıcaklık	-40 °C, +140 °C			
ACCESSORIES / AKSESUARLAR				
Marking / Markalama	9770 / 4440 / 4442			

MRK AND OPK SERIES BIG STOPPER MRK VE OPK SERİSİ BÜYÜK BOY DURDURUCU



Big Stopper
Order No: 1212

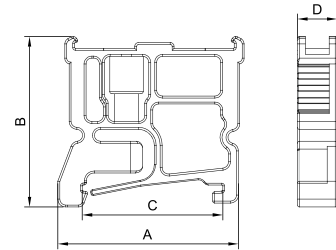


Dimensions Ölçüler (mm)	A	B	C	D
	44,6	43,5	34,5	9,8
MATERIAL / MATERYAL				
Body / Gövde	PA6.6 V2			
Screw/Vida	Steel / Çelik			
Temp./ Sıcaklık	-40 °C, +140 °C			
ACCESSORIES / AKSESUARLAR				
Marking / Markalama	9770 / 4440 / 4442			

MRK AND OPK SERIES STOPPER WITH GROUP STICKER MRK VE OPK SERİSİ GRUP ETİKETLİ DURDURUCU



Stopper With Group Sticker
Order No: 1232



Dimensions Ölçüler (mm)	A	B	C	D
	44,6	43,5	34,5	9,8
MATERIAL / MATERYAL				
Body / Gövde	PA6.6 V2			
Screw/Vida	Steel / Çelik			
Temp./ Sıcaklık	-40 °C, +140 °C			
ACCESSORIES / AKSESUARLAR				
Marking / Markalama	9770 / 4440 / 4442			

MRK TYPE CROSS CONNECTIONS MRK SERİSİ RAY KLEMENS ÜST KÖPRÜ (GEÇMELİ VE VİDALI)

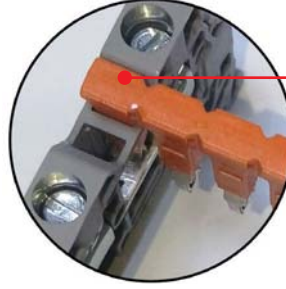
MATERIAL / MATERYAL	
Isolation / İzolasyon	PA 6.6 V2
Body / Gövde	Brass / Pirinç
Covering / Kaplama	Tin / Kalay

Note: All 2,5mm² and 4mm² cross connections can be both used for MRK and OPK Series.

Not: MRK ve OPK serisinde 2,5mm² ve 4mm²'lik üst köprülerin tamamı her iki seride de kullanılmaktadır.

COLOUR/ RENK	CODE KOD	TYPE CİNSİ	BOX K./ AD.
Orange	ONKA-1920	1.5 x 2	100
Orange	ONKA-1921	1.5 x 3	100
Orange	ONKA-1922	1.5 x 4	100
Orange	ONKA-1923	1.5 x 10	30
Orange	ONKA-1924	1.5 x 20	20
Orange	ONKA-1925	2.5 x 2	100
Orange	ONKA-1926	2.5 x 3	100
Orange	ONKA-1927	2.5 x 4	75
Orange	ONKA-1928	2.5 x 10	30
Orange	ONKA-1929	2.5 x 20	20
Orange	ONKA-1930	4 x 2	100
Orange	ONKA-1931	4 x 3	50
Orange	ONKA-1932	4 x 4	50
Orange	ONKA-1933	4 x 10	30
Orange	ONKA-1934	4 x 20	20
Orange	ONKA-1935	6 x 2	100
Orange	ONKA-1936	6 x 3	50
Orange	ONKA-1937	6 x 4	50
Orange	ONKA-1938	6 x 10	15
Orange	ONKA-1939	6 x 20	10
Orange	ONKA-1940	10 x 2	100
Orange	ONKA-1941	10 x 3	50
Orange	ONKA-1942	10 x 4	50
Orange	ONKA-1943	10 x 10	15
Orange	ONKA-1944	10 x 20	10

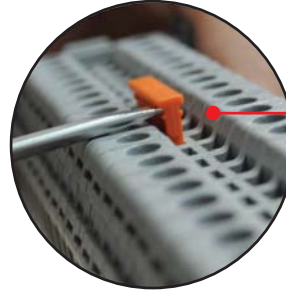
CODE KOD	TYPE CİNSİ	BOX K./ AD.
ONKA-2257	16 x 2	50
ONKA-2258	16 x 3	40
ONKA-2259	16 x 4	40
ONKA-2260	16 x 5	25
ONKA-2261	16 x 6	10
ONKA-2262	16 x 7	10
ONKA-2263	16 x 8	10
ONKA-2264	16 x 9	10
ONKA-2265	16 x 10	10
ONKA-2266	35 x 2	50
ONKA-2267	35 x 3	40
ONKA-2268	35 x 4	40
ONKA-2269	35 x 5	25
ONKA-2270	35 x 6	10
ONKA-2271	35 x 7	10
ONKA-2272	35 x 8	10
ONKA-2273	35 x 9	10
ONKA-2274	35 x 10	10



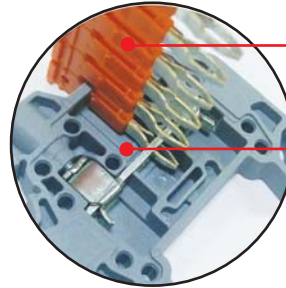
- The metal parts can not be certainly dissolved in the case of the plastic isolation part's monolithic.
- Plastik izolasyon bölümünün yekpare olması sayesinde metal aksam kesinlikle dağılmamaktadır.



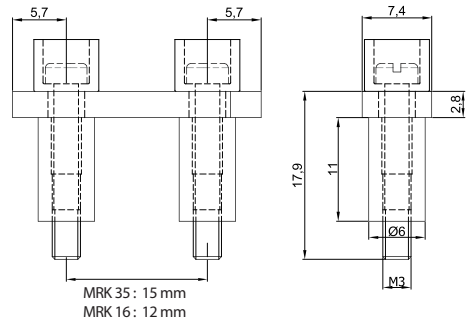
- It can be cutted in the middle of the comb bridge (example 10 and 20 pin bridges).
- Köprü'nün üzerindeki kesme kanalları sayesinde pin aralığının tam ortasından kesilebilme imkanı sunmaktadır.
- * Bu özellik 10 Pinli ve 20 Pinli üst köprüler için geçerlidir.

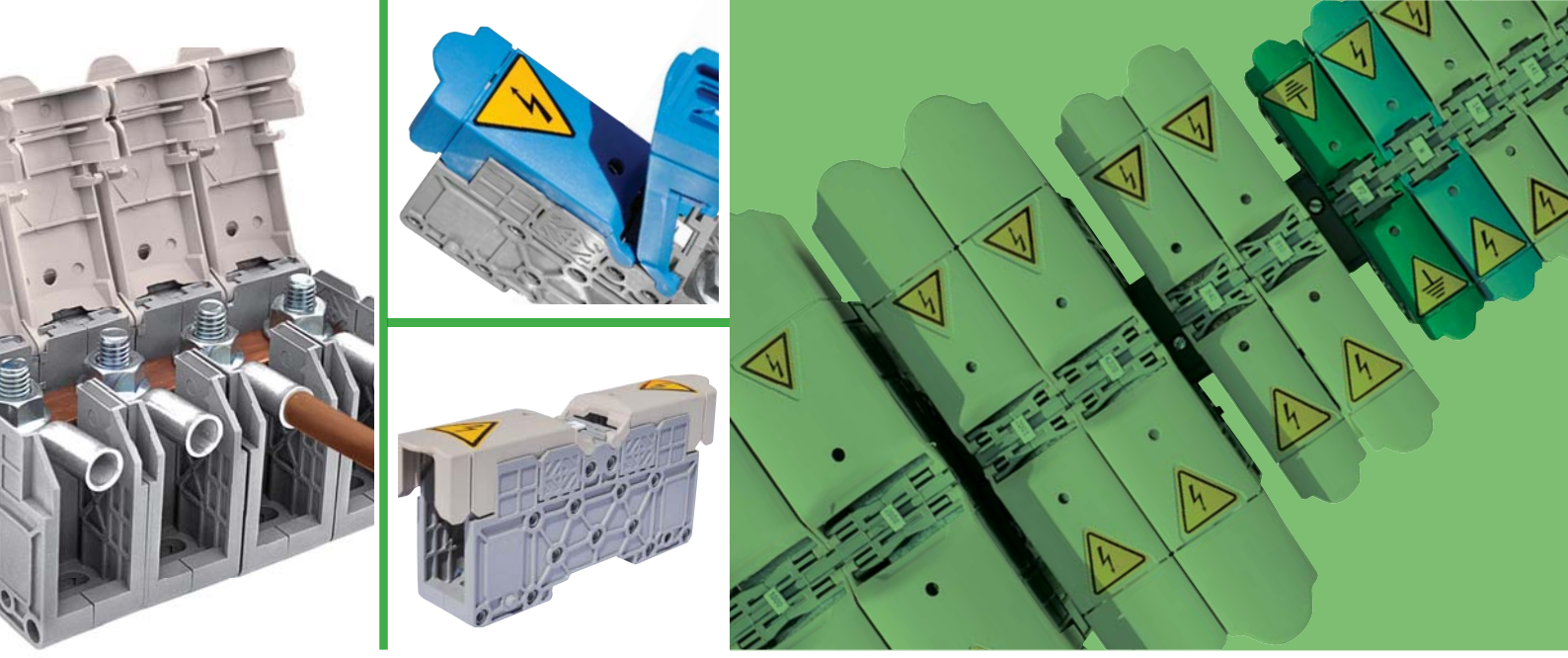


- It can be easily removed with the screwdriver in the case of the notch over the bridge.
- Köprü'nün üzerindeki çentik sayesinde tornavida ile rahatlıkla sökülebilmektedir.



- It is provided the bridge to the terminal within the plastic parts.
- Plastik tırnak sayesinde köprü'nün klemense tutunması sağlanmaktadır.
- In the case of the pin's curved and diagonal structure it can be touched from 4 points to copper busbar.
- Pin ucunun kavisli ve çapraz yapısı sayesinde dört noktadan bakır baraya temas etmektedir.





MRK SERİSİ PAPUÇ BAĞLANTILI KLEMENSLER

Bu üründe hedeflenen, yüksek kesitli kablolarda çok daha sağlıklı bir yöntem ile bağlantıyı sağlamaktır. Vibrasyonlu ortamlarda papuç bağlantı klemensleri çok daha güvenilir olarak kabul edilen bir bağlantı yöntemidir.

Papuç bağlantı klemenslerinde, yüksek kesitli kablo ucuna önce SKP papuç sağlam bir şekilde sıkılır. Sıkılan bu SKP papuç klemens üzerindeki vidaya takılarak belirtilen tork değerinde montaj yapılır. Bu şekilde iki iletken yüzey birbirine temas eder. Papuç bağlantı klemenslerin de birbirine temas eden iletken yüzey alanı daha fazla olduğu için yüksek akımlar da rahatlıkla kullanılabilir. Papuç bağlantı klemenslerin de ilk olarak 25mm², 35mm², 50mm² lik kablo kesitini kapsayan klemensimiz üretilmiştir. Devamında ise 70mm² - 95mm² ve 120mm² - 150mm² lik kablo kesitini kapsayan diğer ürünümüz üretilmiştir. Son olarak da 185mm² - 240mm² lik kablo kesitini kapsayan ürünümüz üretilmiştir.

Bu üründe bir gövde birkaç farklı kablo kesitini kapsamaktadır. Sadece kablo kesitiyle doğru orantılı olarak Klemensin içerisindeki bakır baranın kalınlığı değişmektedir. Bakır baranın kalınlığı, kullanılan kablo kesitinin taşıması gereken maksimum akıma göre uluslararası standartlar baz alınarak belirlenmiştir. Bu sayede yüksek akımlarda güvenli bir şekilde tercih edilebilir. Papuç bağlantı klemenslerin de bağlantı, somunla sağlam bir şekilde sıkıldığı için vibrasyonlu ortamlarda titreşimden etkilenerek bağlantının çözülmesi gibi bir durum söz konusu değildir. Bu nedenle genellikle makine imalatçıları nın üç fazı bağlamak için yoğunlukla tercih ettiği bir üründür.

İkinci bir örnek olarak demir yolu sektörünü örnek verebiliriz. Tren ve metro vagonlarında da Papuç bağlantı klemenslerine sıkça rastlayabiliriz. Tren ve metro vagonlarının klima sistemlerinde kullanıldığı tüm dünyada görülmektedir. Diğer bir örnekte panoların ana girişlerinde üçfaz artı nötr bağlamak için kullanılmaktadır. Denizcilik sektöründe vibrasyonlu ortamlarda gemilerin makine dairelerinde yoğunlukla kullanıldığı bilinmektedir.

MRK SERIES STUD TERMINAL BLOCK FOR CABLE LUGS

Screwed Type Stud Terminal Blocks are more reliable when connection is in vibrating environments. Screwed Type Stud Terminal Blocks are preferred in three-phase systems as it is a healthier way of connection.

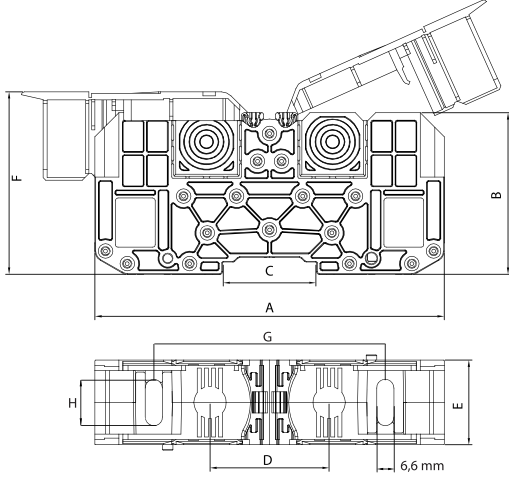
SKP lug is first screwed to high-profile cable end steadily in Screwed Type Terminal Blocks. That SKP lug is fitted to terminal block according to defined torque value. Thus, two conductive surfaces contact each other. Since two contacting conductive surfaces have more space in Screwed Type Stud Terminal Blocks, it is suitable for use in high currents. Terminal blocks for 25 mm², 35 mm², 50 mm², 70 mm², 95 mm², 120 mm², 150 mm², profile cables are in production. Next range of products will be for 185 mm² and 240 mm² profile cables.

Thickness of copper busbar inside terminal block varies proportionate to cable profile only. Thickness of copper busbar in defined in line with maximum current that cable profile in use is supposed to carry and based on international standards. Thus, it is safe to use in high currents.

Disconnection due to vibration in environments with vibration is not seen in Screwed Type Stud Terminal Blocks as the connection is screwed strongly with a nut. For this reason, it is the top choice of machinery manufacturers when connecting three phases.

They are also widely used in railway sector, air-conditioning systems of train and subway cars, maritime sector, in engine rooms of ships, and any other environments with vibration.

MRK SERIES STUD TERMINAL BLOCKS FOR CABLE LUGS (WITH COVER) MRK SERİSİ PABUÇ BAĞLANTILI BARALI KLEMENSLER (KAPAKLI)



MATERIAL / MATERYAL

Body / Gövde	PA6.6 V2
Legs / Bacaklar	PA6.6 V2
Cover / Kapak	PA6.6 V2
Bolt / Civata	Steel / Çelik
Nuts / Somun	Steel / Çelik
Bridge / Köprü	Copper / Bakır

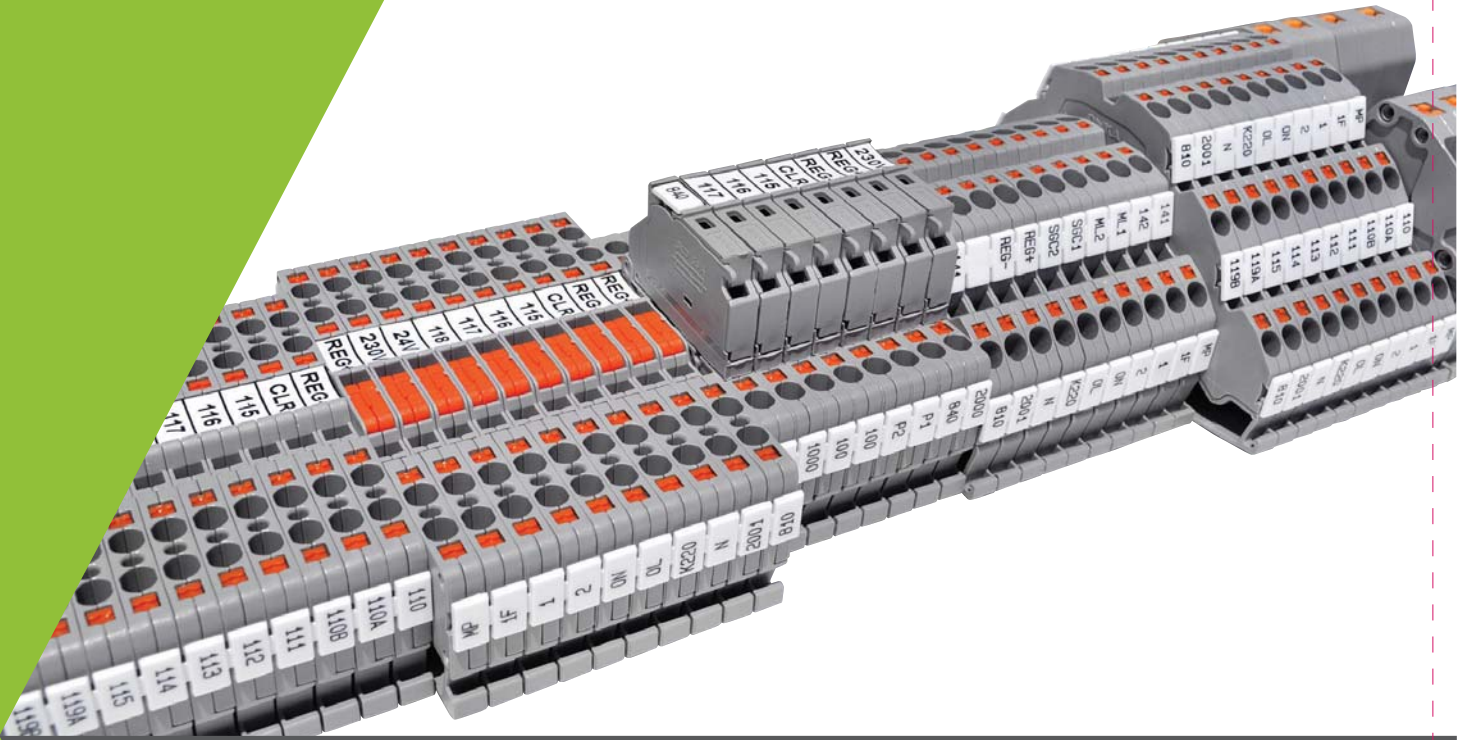
ACCESSORIES / AKSESUARLAR

Stopper / Durdurucu	1202,1222,1212
Group Sticker/Grup Etiketi	1232
Marking / Markalama	9770 / 4440 / 4442 / 9540

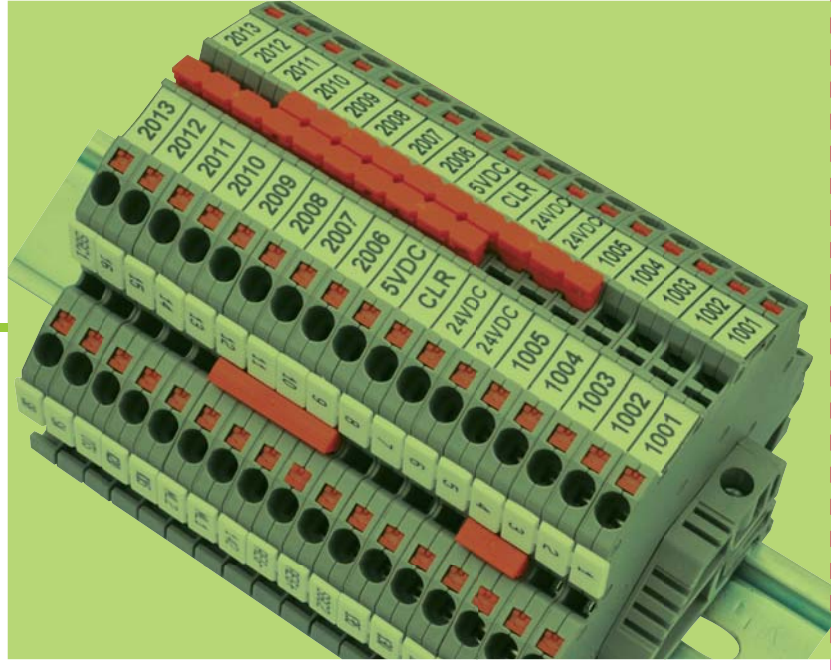
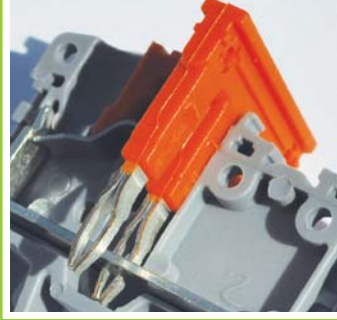
* U_{imp} : Impact strength voltage / Darbe dayanımı gerilimi

DESCRIPTIONS / ÖZELLİKLER

CODE KOD	SECTION KESİT (mm ²)	BOLT CİVATA	TORQUE TORK (Nm)	CURRENT AKIM (A)	VOLTAGE VOLTAJ (V)	U_{imp} (V)	A (mm)	B (mm)	C (mm)	D (mm)	E (mm)	F (mm)	G (mm)	H (mm)	Pcs./Adet
2302	25	M6	6	100	750	4000	67,6	51	35	40	26,8	58,5	76,5	16,3	10
2322	35	M8	10	125	750	4000	67,6	51	35	40	26,8	58,5	76,5	16,3	10
2342	50	M8	10	150	750	4000	67,6	51	35	40	26,8	58,5	76,5	16,3	10
2362	70	M8	10	192	750	4000	88,6	60,8	35	43	31,6	68,5	86,5	17,3	10
2382	95	M8	10	232	1000	4000	88,6	60,8	35	43	31,6	68,5	86,5	17,3	10
2402	120	M12	14	269	1000	4000	122	69,7	35	60	41,3	78,5	94	17,3	5
2422	150	M12	14	309	1000	4000	122	69,7	35	60	41,3	78,5	94	17,3	5
2442	185	M12	14	353	1000	4000	138	77,2	35	60	55	92	96,5	26,5	5
2462	240	M12	14	415	1000	4000	138	77,2	35	60	55	92	96,5	26,5	5



OPK SERIES RAIL TERMINAL BLOCKS OPK SERİSİ RAY KLEMENSLER



OPK SERIES PUSH-IN TYPE TERMINAL BLOCKS

Technical Features:

- Push-in System.
- Does not require final plate (Both sides are closed), provides cost saving and better isolation.
- Symmetrical (Mountable to rail on both directions)
- Lower cable thrust.
- Time and cost saving.
- Reducing transmission, zero contact by means of orange buttons.
- Springs are stainless steel.
- Opportunity to assemble cables with ferrule of 0,50 mm² to 35 mm² without any hand tool requirement.
- Labelling system appropriate for strap marking.
- Double sided bridging opportunity.
- Isolated comb bridge

OPK SERİSİ YAY BASKILI RAY KLEMENSLER

Teknik Özellikler:

- Push-in Sistem.
- Nihayet plakası gerektirmez (Her iki tarafı kapalı) Maliyet tasarrufu ve daha iyi bir izolasyon sağlar.
- Simetrik (Her iki yönde raya monte edilebilir)
- Daha düşük kablo itme kuvveti.
- Zaman ve maliyet tasarrufu.
- Turuncu butonlar sayesinde montaj esnasında iletken kısma sıfır temas.
- Yaylar paslanmaz çelik.
- 0,50 mm² den 35 mm² ye kadar yüksüklü kablolarda hiçbir el aleti gerektirmeden montaj imkanı.
- Markalama tırnak yapısı diğer markalara uygun şekilde tasarlanmıştır.
- Şerit markalamaya uygun etiketleme sistemi.
- Çift yönlü köprüleme imkanı.
- İzoleli tarak köprü

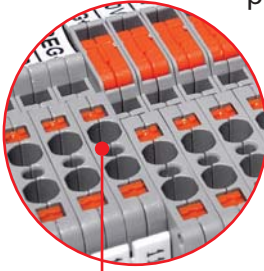
PUSH IN

OPK SERIES

OPK SERİSİ

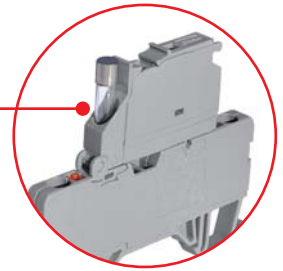
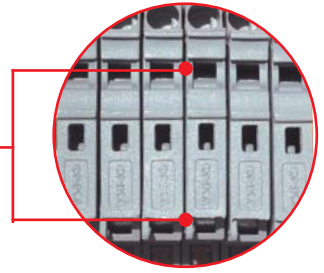


• The roll labelling system can be used in 2,5 - 4 - 6 - 10 mm² push-in terminal block.

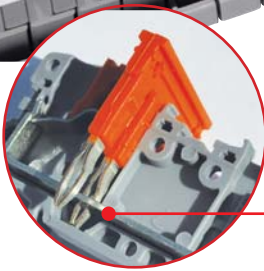
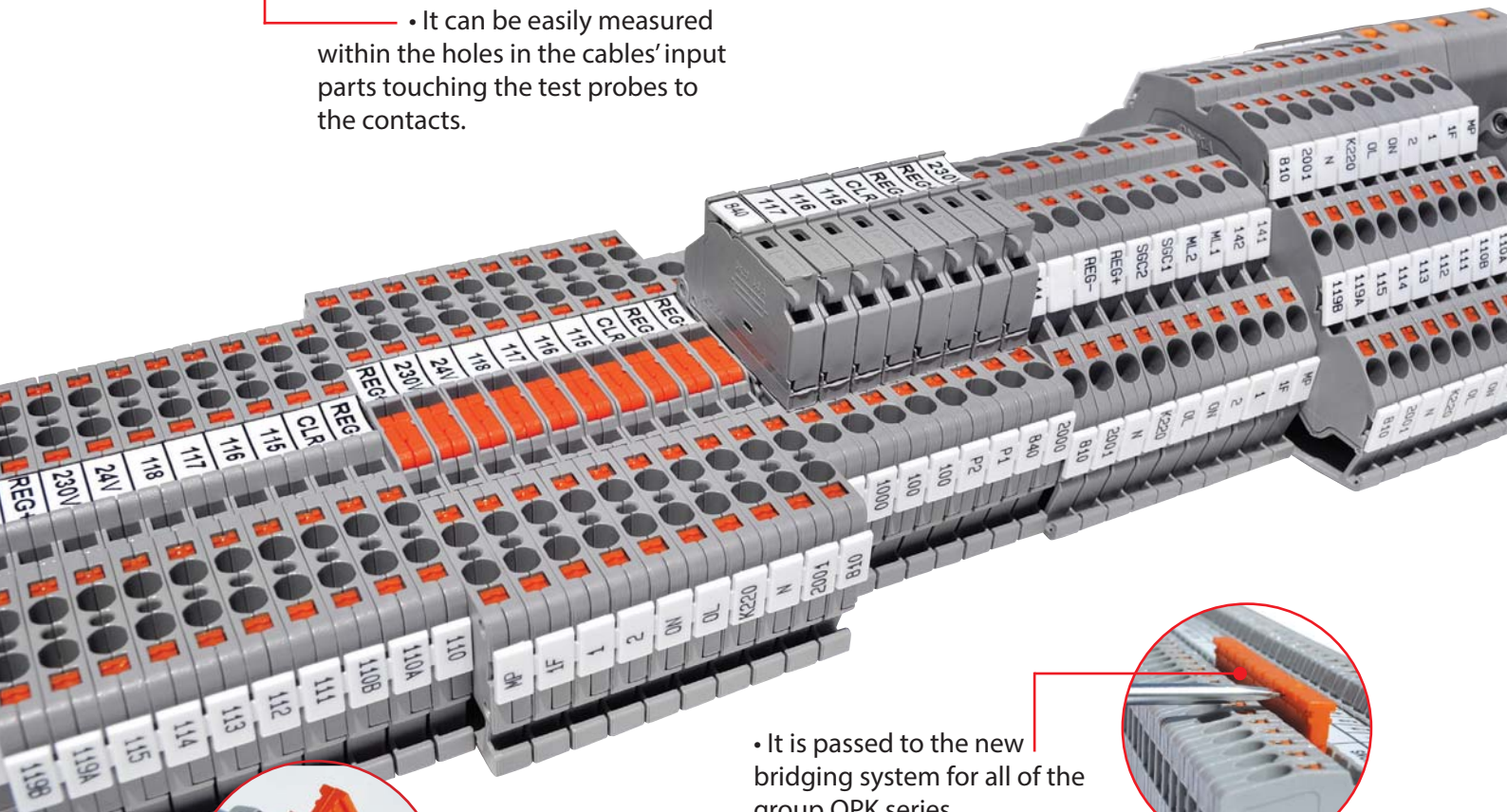


• It can be easily measured within the holes in the cables' input parts touching the test probes to the contacts.

• It can be tested touching the test probes from the two different points over the terminal blocks without ejecting the fuse if it can conduct or not.



• There is a part in the OPK fuse series terminal blocks in order to put the fuse.



• In the case of the pin's curved and diagonal structure it can be touched from 4 points to copper busbar.

• It is passed to the new bridging system for all of the group OPK series.



• It can be cutted in the middle of the comb bridge (example 10 and 20 pin bridges).





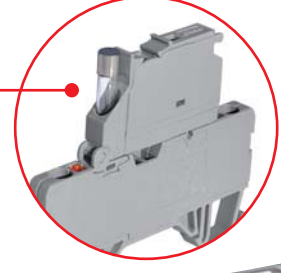
• 2,5 - 4 - 6 - 10 mm² yay baskılı push-in klemenslerde şerit markalama sistemi kullanılabilir.



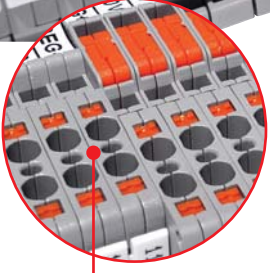
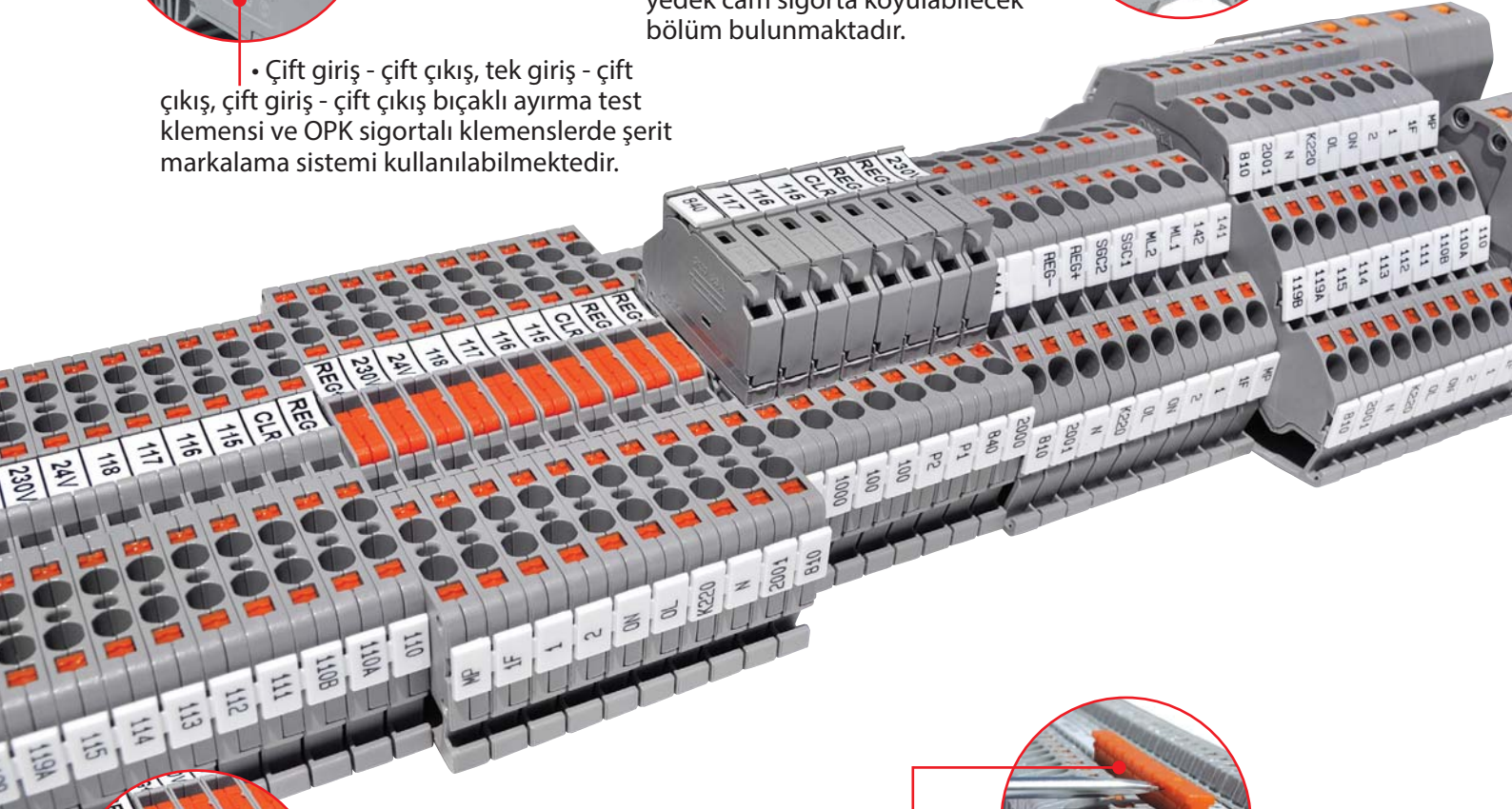
• OPK Sigortalı klemenslerde şerit markalama sistemi uygulanabilmektedir.



• Çift giriş - çift çıkış, tek giriş - çift çıkış, çift giriş - çift çıkış bıçaklı ayırma test klemensi ve OPK sigortalı klemenslerde şerit markalama sistemi kullanılabilir.



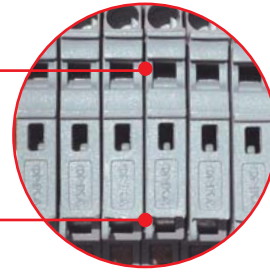
• OPK Serisi sigortalı klemenslerde yedek cam sigorta koyulabilecek bölüm bulunmaktadır.



• Kablo giriş bölümlerinin hemen yanındaki delikler sayesinde ölçü aletinin test proplarını iletken kısma değiştirerek rahatlıkla ölçüm yapılabilir.



• OPK Serisinde tüm gruplarda yeni köprüleme sistemine geçilmiştir.



• Klemens üzerindeki iki ayrı nokta sayesinde cam sigortayı klemensden hiç çıkarmadan ölçü aletinin test proplarını değiştirerek cam sigortanın iletip iletmediği test edilebilir.

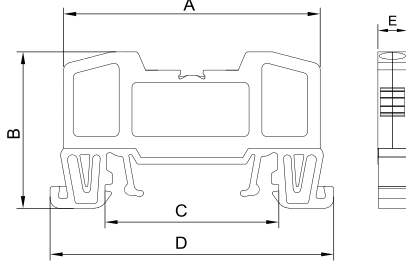
OPK SERIES PUSH-IN TYPE TERMINAL BLOCKS OPK SERİSİ YAY BASKILI RAY KLEMENSLER

PUSH IN



OPK 2,5

Order No: 1502



Dimensions Ölçüler (mm)	A	B	C	D	E
	51,0	32,0	34,5	56,4	5,9

MATERIAL / MATERYAL

Body / Gövde	PA6.6 V2
Bridge / Köprü	Copper / Bakır
Orange Button Turuncu Buton	PA6.6 V2
Spring/ Yay	Stainless Steel / Paslanmaz Çelik
Temp./ Sıcaklık	-40 °C, +140 °C
Cable Strip L. / Soyma Boyu	9 mm

DATA / VERİ	TSE / CE	UL
Voltage / Gerilim	750 V	600 V
Current / Akım	24 A	20 A
Section / Kesit	2,5 mm ²	12 AWG
Norm	EN-60947-7-1	UL 1059

RENKLER / COLOURS

RENK/COLOUR	Order No./ Sip.No.	Pcs./ Ad.
GREY / GRİ	1502	100
CREAM / KREM	1503	100
BLACK / SİYAH	1504	100
BLUE / MAVİ	1505	100
BROWN/K.RENGİ	1506	100
RED / KIRMIZI	1507	100
YELLOW / SARI	1508	100
GREEN / YEŞİL	1509	100

ACCESSORIES / AKSESUARLAR

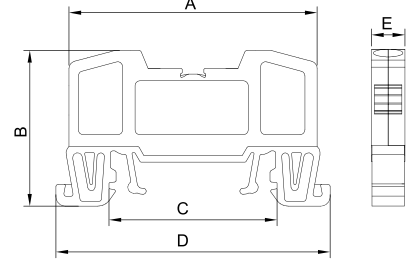
Cross Connection / Köprü	Order No./ Sip. No.	Section/ Kesit	Pcs./ Ad.
	1925	2,5 / 2	100
	1926	2,5 / 3	100
	1927	2,5 / 4	75
	1928	2,5 / 10	30
	1929	2,5 / 20	20
Stopper / Durdurucu	1202,1222,1212		
Group Sticker/Grup Etiketi	1232		
Marking / Markalama	9770 / 4440 / 4442 / 9540 / 7301		

PUSH IN



OPK 4

Order No: 1512



Dimensions Ölçüler (mm)	A	B	C	D	E
	51,0	32,0	34,5	56,4	6,7

MATERIAL / MATERYAL

Body / Gövde	PA6.6 V2
Bridge / Köprü	Copper / Bakır
Orange Button Turuncu Buton	PA6.6 V2
Spring/ Yay	Stainless Steel / Paslanmaz Çelik
Temp./ Sıcaklık	-40 °C, +140 °C
Cable Strip L. / Soyma Boyu	9 mm

DATA / VERİ	TSE / CE	UL
Voltage / Gerilim	750 V	600 V
Current / Akım	32 A	26 A
Section / Kesit	4,0 mm ²	10 AWG
Norm	EN-60947-7-1	UL 1059

RENKLER / COLOURS

RENK/COLOUR	Order No./ Sip.No.	Pcs./ Ad.
GREY / GRİ	1512	100
CREAM / KREM	1513	100
BLACK / SİYAH	1514	100
BLUE / MAVİ	1515	100
BROWN/K.RENGİ	1516	100
RED / KIRMIZI	1517	100
YELLOW / SARI	1518	100
GREEN / YEŞİL	1519	100

ACCESSORIES / AKSESUARLAR

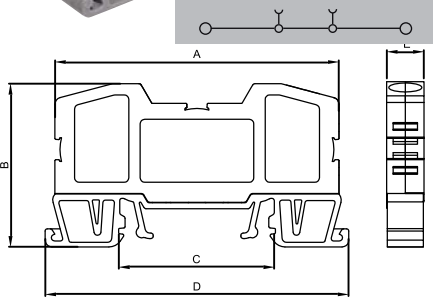
Cross Connection / Köprü	Order No./ Sip. No.	Section/ Kesit	Pcs./ Ad.
	1930	4 / 2	100
	1931	4 / 3	100
	1932	4 / 4	50
	1933	4 / 10	30
	1934	4 / 20	20
Stopper / Durdurucu	1202,1222,1212		
Group Sticker/Grup Etiketi	1232		
Marking / Markalama	9770 / 4440 / 4442 / 9540 / 7301		

OPK SERIES PUSH-IN TYPE TERMINAL BLOCKS OPK SERİSİ YAY BASKILI RAY KLEMENSLER

PUSH IN



OPK 6
Order No: 1522



Dimensions Ölçüler (mm)	A	B	C	D	E
	62,5	36,0	34,5	66,4	8,2

MATERIAL / MATERYAL

Body / Gövde	PA6.6 V2
Bridge / Köprü	Copper / Bakır
Orange Button Turuncu Buton	PA6.6 V2
Spring / Yay	Stainless Steel / Paslanmaz Çelik
Temp./ Sıcaklık	-40 °C, +140 °C
Cable Strip L./ Soyma Boyu	12 mm

DATA / VERİ	TSE / CE
Voltage / Gerilim	750 V
Current / Akım	41 A
Section / Kesit	6,0 mm ²
Norm	EN-60947-7-1

RENKLER / COLOURS

RENK/COLOUR	Order No./ Sip.No.	Pcs. /Ad.
GREY / GRİ	1522	100
CREAM / KREM	1523	100
BLACK / SİYAH	1524	100
BLUE / MAVİ	1525	100
BROWN/K.RENGİ	1526	100
RED / KIRMIZI	1527	100
YELLOW / SARI	1528	100
GREEN / YEŞİL	1529	100

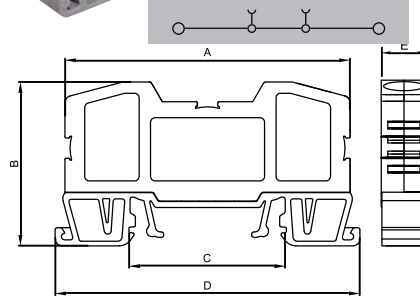
ACCESSORIES / AKSESUARLAR

Cross Connection / Köprü	Order No./ Sip. No.	Section/ Kesit	Pcs./ Ad.
	1945	6 / 2	100
	1946	6 / 3	50
	1947	6 / 4	50
	1948	6 / 10	15
	1949	6 / 20	10
Stopper / Durdurucu	1202,1222,1212		
Group Sticker/Grup Etiketi	1232		
Marking / Markalama	9770 / 4440 / 4442 / 9540 / 7301		

PUSH IN



OPK 10
Order No: 1532



Dimensions Ölçüler (mm)	A	B	C	D	E
	62,5	36,0	34,5	66,4	9,5

MATERIAL / MATERYAL

Body / Gövde	PA6.6 V2
Bridge / Köprü	Copper / Bakır
Orange Button Turuncu Buton	PA6.6 V2
Spring / Yay	Stainless Steel / Paslanmaz Çelik
Temp./ Sıcaklık	-40 °C, +140 °C
Cable Strip L./ Soyma Boyu	12 mm

DATA / VERİ	TSE / CE
Voltage / Gerilim	750 V
Current / Akım	57 A
Section / Kesit	10 mm ²
Norm	EN-60947-7-1

RENKLER / COLOURS

RENK/COLOUR	Order No./ Sip.No.	Pcs. /Ad.
GREY / GRİ	1532	100
CREAM / KREM	1533	100
BLACK / SİYAH	1534	100
BLUE / MAVİ	1535	100
BROWN/K.RENGİ	1536	100
RED / KIRMIZI	1537	100
YELLOW / SARI	1538	100
GREEN / YEŞİL	1539	100

ACCESSORIES / AKSESUARLAR

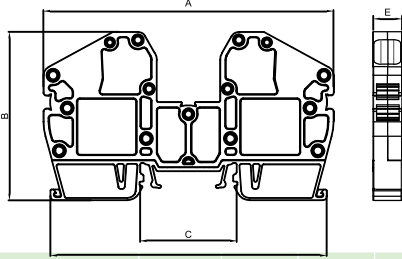
Cross Connection / Köprü	Order No./ Sip. No.	Section/ Kesit	Pcs./ Ad.
	1950	10 / 2	100
	1951	10 / 3	50
	1952	10 / 4	50
	1953	10 / 10	15
	1954	10 / 20	10
Stopper / Durdurucu	1202,1222,1212		
Group Sticker/Grup Etiketi	1232		
Marking / Markalama	9770 / 4440 / 4442 / 9540 / 7301		

OPK SERIES PUSH-IN TYPE TERMINAL BLOCKS OPK SERİSİ YAY BASKILI RAY KLEMENSLER



OPK 16
Order No: 1542

PUSH IN



Dimensions Ölçüler (mm)	A°	B	C	D	E
	103,0	60,0	34,5	98,0	10,7

MATERIAL / MATERYAL

Body / Gövde	PA6.6 V2
Bridge / Köprü	Copper / Bakır
Orange Button Turuncu Buton	PA6.6 V2
Spring/Yay	Stainless Steel / Paslanmaz Çelik
Temp./Sıcaklık	-40 °C, +140 °C
Cable Strip L. / Soyma Boyu	22 mm

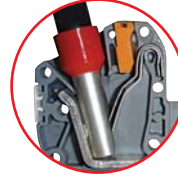
DATA / VERİ	TSE / CE
Voltage / Gerilim	750 V
Current / Akım	76 A
Section / Kesit	16 mm ²
Norm	EN-60947-7-1

RENKLER / COLOURS

RENK/COLOUR	Order No. / Sip.No.	Pcs. /Ad.
GREY / GRİ	1542	30
CREAM / KREM	1543	30
BLACK / SİYAH	1544	30
BLUE / MAVİ	1545	30
BROWN/K.RENGİ	1546	30
RED / KIRMIZI	1547	30
YELLOW / SARI	1548	30
GREEN / YEŞİL	1549	30

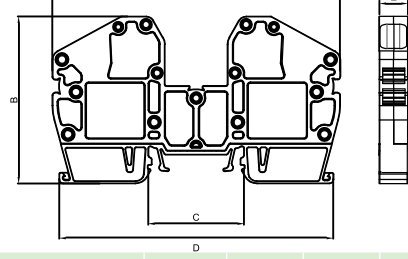
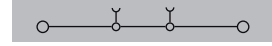
ACCESSORIES / AKSESUARLAR

Cross Connection / Köprü	Order No./ Sip. No.	Section/ Kesit	Pcs./ Ad.
	1955	16 / 2	10
	1956	16 / 3	10
	1957	16 / 4	10
	1958	16 / 10	10
Stopper / Durdurucu	1202,1222,1212		
Group Sticker/Grup Etiketi	1232		
Marking / Markalama	9770 / 4440 / 4442 / 9540		



OPK 35
Order No: 1552

PUSH IN



Dimensions Ölçüler (mm)	A	B	C	D	E
	103,0	60,0	34,5	98,0	15,2

MATERIAL / MATERYAL

Body / Gövde	PA6.6 V2
Bridge / Köprü	Copper / Bakır
Orange Button Turuncu Buton	PA6.6 V2
Spring/Yay	Stainless Steel / Paslanmaz Çelik
Temp./Sıcaklık	-40 °C, +140 °C
Cable Strip L. / Soyma Boyu	22 mm

DATA / VERİ	TSE / CE
Voltage / Gerilim	750 V
Current / Akım	125 A
Section / Kesit	35 mm ²
Norm	EN-60947-7-1

RENKLER / COLOURS

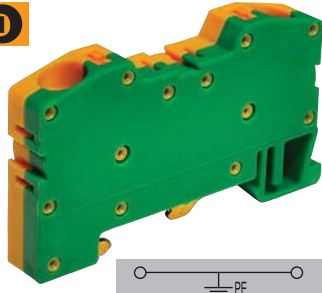
RENK/COLOUR	Order No. / Sip.No.	Pcs. /Ad.
GREY / GRİ	1552	20
CREAM / KREM	1553	20
BLACK / SİYAH	1554	20
BLUE / MAVİ	1555	20
BROWN/K.RENGİ	1556	20
RED / KIRMIZI	1557	20
YELLOW / SARI	1558	20
GREEN / YEŞİL	1559	20

ACCESSORIES / AKSESUARLAR

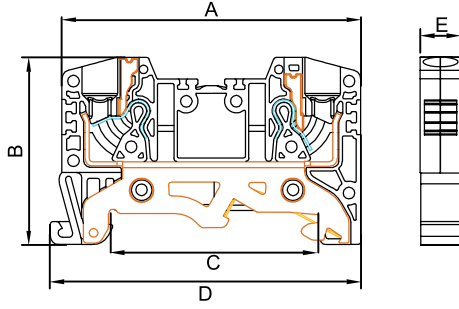
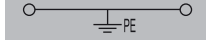
Cross Connection / Köprü	Order No./ Sip. No.	Section/ Kesit	Pcs./ Ad.
	1959	35 / 2	10
	1960	35 / 3	10
	1961	35 / 4	10
	1962	35 / 10	10
Stopper / Durdurucu	1202,1222,1212		
Group Sticker/Grup Etiketi	1232		
Marking / Markalama	9770 / 4440 / 4442 / 9540		

OPK SERIES PUSH-IN TYPE EARTH RAIL TERMINAL BLOCKS OPK SERİSİ YAY BASKILI TOPRAKLAMA KLEMENSLERİ

PUSH IN



OPK-T 4
Order No: 1199



Dimensions Ölçüler (mm)	A	B	C	D	E
	51,0	31,8	34,5	52,6	7,1

MATERIAL / MATERYAL

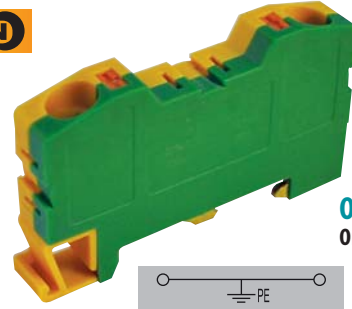
Body / Gövde	PA6.6 V2
Bridge / Köprü	Copper / Bakır
Orange Button Turuncu Buton	PA6.6 V2
Spring / Yay	Stainless Steel / Paslanmaz Çelik
The Foot Which Contact to the Rail/ Raya Temas eden Ayak	Brass / Pirinç
Temp./ Sıcaklık	-40 °C, +140 °C
Cable Strip L./ Soyma Boyu	9 mm

DATA / VERİ	TSE / CE
Voltage / Gerilim	750 V
Section / Kesit	4,0 mm ²
Norm	EN-60947-7-1

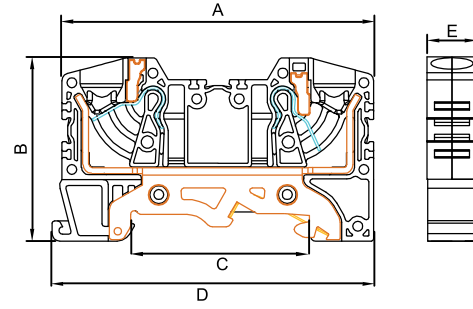
ACCESSORIES / AKSESUARLAR

Stopper / Durdurucu	1202,1222,1212
Group Sticker/Grup Etiketi	1232
Marking / Markalama	9770 / 4440 / 4442 / 9540

PUSH IN



OPK-T 10
Order No: 1200



Dimensions Ölçüler (mm)	A	B	C	D	E
	62,5	36,5	34,5	64,5	10,0

MATERIAL / MATERYAL

Body / Gövde	PA6.6 V2
Bridge / Köprü	Copper / Bakır
Orange Button Turuncu Buton	PA6.6 V2
Spring / Yay	Stainless Steel / Paslanmaz Çelik
The Foot Which Contact to the Rail/ Raya Temas eden Ayak	Brass / Pirinç
Temp./ Sıcaklık	-40 °C, +140 °C
Cable Strip L./ Soyma Boyu	12 mm

DATA / VERİ	TSE / CE
Voltage / Gerilim	750 V
Section / Kesit	10 mm ²
Norm	EN-60947-7-1

ACCESSORIES / AKSESUARLAR

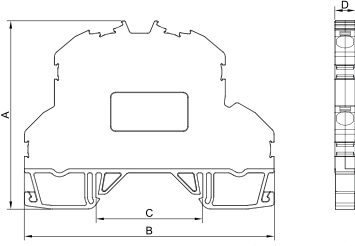
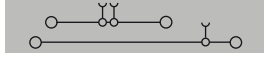
Stopper / Durdurucu	1202,1222,1212
Group Sticker/Grup Etiketi	1232
Marking / Markalama	9770 / 4440 / 4442 / 9540

OPK SERIES PUSH-IN TYPE DOUBLE RAIL TERMINAL BLOCKS OPK SERİSİ YAY BASKILI TİP ÇİFT KATLI RAY KLEMENSLER

PUSH IN



OPK - C2,5
Order No: 1782



Dimensions Ölçüler (mm)	A	B	C	D
	61,0	81,0	34,5	5,9

MATERIAL / MATERYAL

Body / Gövde	PA6.6 V2
Bridge / Köprü	Copper / Bakır
Orange Button Turuncu Buton	PA6.6 V2
Spring / Yay	Stainless Steel / Paslanmaz Çelik
Temp./ Sıcaklık	-40 °C, +140 °C
Cable Strip L./ Soyma Boyu	9 mm

DATA / VERİ	TSE / CE	UL
Voltage / Gerilim	750 V	300 V
Current / Akım	24 A	16 A
Section / Kesit	2,5 mm ²	12 AWG
Norm	EN-60947-7-1	UL 1059

RENKLER / COLOURS

RENK/COLOUR	Order No./ Sip.No.	Pcs./Ad.
GREY / GRİ	1782	50
CREAM / KREM	1783	50
BLACK / SİYAH	1784	50
BLUE / MAVİ	1785	50
BROWN/K.RENGİ	1786	50
RED / KIRMIZI	1787	50
YELLOW / SARI	1788	50
GREEN/YEŞİL	1789	50

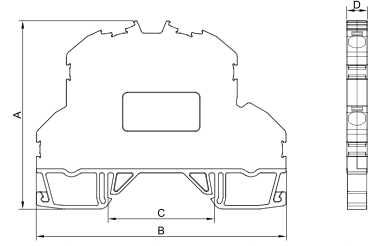
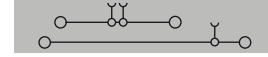
ACCESSORIES / AKSESUARLAR

Cross Connection / Köprü	Order No./ Sip. No.	Section/ Kesit	Pcs./ Ad.
	1925	2,5 / 2	100
	1926	2,5 / 3	100
	1927	2,5 / 4	75
	1928	2,5 / 10	30
	1929	2,5 / 20	20
Stopper / Durdurucu	1202,1222,1212		
Group Sticker/Grup Etiketi	1232		
Marking /Markalama	9770 / 4440 / 4442 / 9540 / 7301		
Bridged / Köprülü	2572		
Diode / Diyotlu	2582		

PUSH IN



OPK - C4
Order No: 1792



Dimensions Ölçüler (mm)	A	B	C	D
	61,0	81,0	34,5	6,7

MATERIAL / MATERYAL

Body / Gövde	PA6.6 V2
Bridge / Köprü	Copper / Bakır
Orange Button Turuncu Buton	PA6.6 V2
Spring / Yay	Stainless Steel / Paslanmaz Çelik
Temp./ Sıcaklık	-40 °C, +140 °C
Cable Strip L./ Soyma Boyu	9 mm

DATA / VERİ	TSE / CE	UL
Voltage / Gerilim	750 V	300 V
Current / Akım	32 A	22 A
Section / Kesit	4,0 mm ²	10 AWG
Norm	EN-60947-7-1	UL 1059

RENKLER / COLOURS

RENK/COLOUR	Order No./ Sip.No.	Pcs./Ad.
GREY / GRİ	1792	50
CREAM / KREM	1793	50
BLACK / SİYAH	1794	50
BLUE / MAVİ	1795	50
BROWN/K.RENGİ	1796	50
RED / KIRMIZI	1797	50
YELLOW / SARI	1798	50
GREEN/YEŞİL	1799	50

ACCESSORIES / AKSESUARLAR

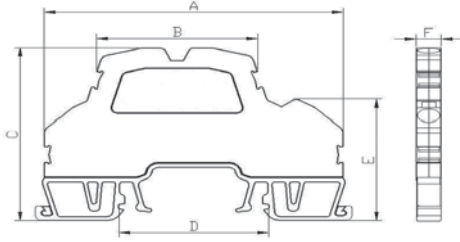
Cross Connection / Köprü	Order No./ Sip. No.	Section/ Kesit	Pcs./ Ad.
	1930	4 / 2	100
	1931	4 / 3	50
	1932	4 / 4	50
	1933	4 / 10	30
	1934	4 / 20	20
Stopper / Durdurucu	1202,1222,1212		
Group Sticker/Grup Etiketi	1232		
Marking /Markalama	9770 / 4440 / 4442 / 9540 / 7301		
Bridged / Köprülü	2592		
Diode / Diyotlu	2602		

OPK SERIES PUSH-IN TYPE DOUBLE RAIL TERMINAL BLOCKS OPK SERİSİ YAY BASKILI TİP ÇİFT KATLI RAY KLEMENSLER

PUSH IN



OPK - C2,5
Order No: 1722



Dimensions Ölçüler (mm)	A	B	C	D	E	F
	69,0	37,0	50,0	34,5	35,5	5,9

MATERIAL / MATERYAL

Body / Gövde	PA6.6 V2
Bridge / Köprü	Copper / Bakır
Orange Button Turuncu Buton	PA6.6 V2
Spring/Yay	Stainless Steel / Paslanmaz Çelik
Temp./Sıcaklık	-40 °C, +140 °C
Cable Strip L. / Soyma Boyu	9 mm

DATA / VERİ	TSE / CE	UL
Voltage / Gerilim	750 V	300 V
Current / Akım	24 A	16 A
Section / Kesit	2,5 mm ²	12 AWG
Norm	EN-60947-7-1	UL 1059

RENKLER / COLOURS

RENK/COLOUR	Order No./Sip.No.	Pcs./Ad.
GREY / GRİ	1722	50
CREAM / KREM	1723	50
BLACK / SİYAH	1724	50
BLUE / MAVİ	1725	50
BROWN/K.RENGİ	1726	50
RED / KIRMIZI	1727	50
YELLOW / SARI	1728	50
GREEN/YEŞİL	1729	50

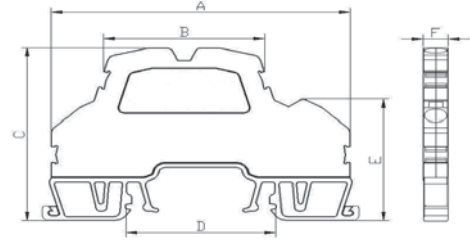
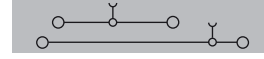
ACCESSORIES / AKSESUARLAR

Cross Connection / Köprü	Order No./ Sip. No.	Section/ Kesit	Pcs./ Ad.
	1925	2,5 / 2	100
	1926	2,5 / 3	100
	1927	2,5 / 4	75
	1928	2,5 / 10	30
	1929	2,5 / 20	20
Stopper / Durdurucu	1202,1222,1212		
Group Sticker/Grup Etiketi	1232		
Marking/Markalama	9770 / 4440 / 4442 / 9540		
Bridged / Köprülü	1732		
Diode / Diyotlu	1742		

PUSH IN



OPK - C4
Order No: 1752



Dimensions Ölçüler (mm)	A	B	C	D	E	F
	69,0	37,0	50,0	34,5	35,5	6,7

MATERIAL / MATERYAL

Body / Gövde	PA6.6 V2
Bridge / Köprü	Copper / Bakır
Orange Button Turuncu Buton	PA6.6 V2
Spring/Yay	Stainless Steel / Paslanmaz Çelik
Temp./Sıcaklık	-40 °C, +140 °C
Cable Strip L. / Soyma Boyu	9 mm

DATA / VERİ	TSE / CE	UL
Voltage / Gerilim	750 V	300 V
Current / Akım	32 A	22 A
Section / Kesit	4,0 mm ²	10 AWG
Norm	EN-60947-7-1	UL 1059

RENKLER / COLOURS

RENK/COLOUR	Order No./Sip.No.	Pcs./Ad.
GREY / GRİ	1752	50
CREAM / KREM	1753	50
BLACK / SİYAH	1754	50
BLUE / MAVİ	1755	50
BROWN/K.RENGİ	1756	50
RED / KIRMIZI	1757	50
YELLOW / SARI	1758	50
GREEN/YEŞİL	1759	50

ACCESSORIES / AKSESUARLAR

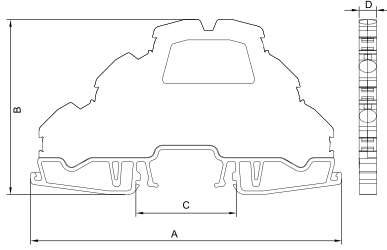
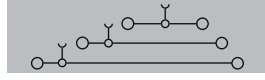
Cross Connection / Köprü	Order No./ Sip. No.	Section/ Kesit	Pcs./ Ad.
	1930	4 / 2	100
	1931	4 / 3	50
	1932	4 / 4	50
	1933	4 / 10	30
	1934	4 / 20	20
Stopper / Durdurucu	1202,1222,1212		
Group Sticker/Grup Etiketi	1232		
Marking/Markalama	9770 / 4440 / 4442 / 9540		
Bridged / Köprülü	1762		
Diode / Diyotlu	1772		

OPK SERIES PUSH-IN TYPE TRIPLE RAIL TERMINAL BLOCKS OPK SERİSİ YAY BASKILI TİP ÜÇ KATLI RAY KLEMENSLER

PUSH IN



OPK - 3/2,5
Order No: 1852



Dimensions Ölçüler (mm)	A	B	C	D
	106,0	60,0	34,5	5,9

MATERIAL / MATERYAL

Body / Gövde	PA6.6 V2
Bridge / Köprü	Copper / Bakır
Orange Button Turuncu Buton	PA6.6 V2
Spring / Yay	Stainless Steel / Paslanmaz Çelik
Temp./ Sıcaklık	-40 °C, +140 °C
Cable Strip L. / Soyma Boyu	9 mm

DATA / VERİ	TSE / CE
Voltage / Gerilim	750 V
Current / Akım	24 A
Section / Kesit	2,5 mm ²
Norm	EN-60947-7-1

RENKLER / COLOURS

RENK/COLOUR	Order No./ Sip.No.	Pcs. /Ad.
GREY / GRİ	1852	50
CREAM / KREM	1853	50
BLACK / SİYAH	1854	50
BLUE / MAVİ	1855	50
BROWN/K.RENGİ	1856	50
RED / KIRMIZI	1857	50
YELLOW / SARI	1858	50
GREEN/YEŞİL	1859	50

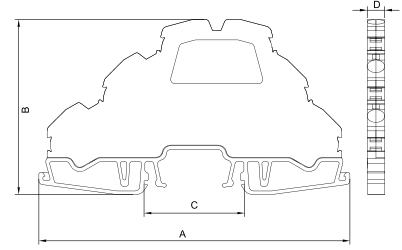
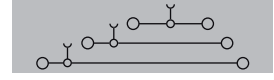
ACCESSORIES / AKSESUARLAR

Cross Connection / Köprü	Order No./ Sip. No.	Section/ Kesit	Pcs./ Ad.
	1925	2,5 / 2	100
	1926	2,5 / 3	100
	1927	2,5 / 4	75
	1928	2,5 / 10	30
	1929	2,5 / 20	20
Stopper / Durdurucu	1202,1222,1212		
Group Sticker/Grup Etiketi	1232		
Marking/Markalama	9770 / 4440 / 4442 / 9540		
Bridged / Köprülü	1862		
Earth / Topraklama	1872		

PUSH IN



OPK - 3/4
Order No: 1882



Dimensions Ölçüler (mm)	A	B	C	D
	106,0	60,0	34,5	6,7

MATERIAL / MATERYAL

Body / Gövde	PA6.6 V2
Bridge / Köprü	Copper / Bakır
Orange Button Turuncu Buton	PA6.6 V2
Spring / Yay	Stainless Steel / Paslanmaz Çelik
Temp./ Sıcaklık	-40 °C, +140 °C
Cable Strip L. / Soyma Boyu	9 mm

DATA / VERİ	TSE / CE
Voltage / Gerilim	750 V
Current / Akım	32 A
Section / Kesit	4,0 mm ²
Norm	EN-60947-7-1

RENKLER / COLOURS

RENK/COLOUR	Order No./ Sip.No.	Pcs. /Ad.
GREY / GRİ	1882	50
CREAM / KREM	1883	50
BLACK / SİYAH	1884	50
BLUE / MAVİ	1885	50
BROWN/K.RENGİ	1886	50
RED / KIRMIZI	1887	50
YELLOW / SARI	1888	50
GREEN/YEŞİL	1889	50

ACCESSORIES / AKSESUARLAR

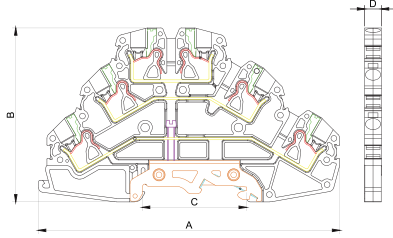
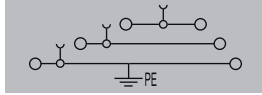
Cross Connection / Köprü	Order No./ Sip. No.	Section/ Kesit	Pcs./ Ad.
	1930	4 / 2	100
	1931	4 / 3	100
	1932	4 / 4	50
	1933	4 / 10	30
	1934	4 / 20	20
Stopper / Durdurucu	1202,1222,1212		
Group Sticker/Grup Etiketi	1232		
Marking/Markalama	9770 / 4440 / 4442 / 9540		
Bridged / Köprülü	1892		
Earth / Topraklama	1902		

OPK SERIES PUSH-IN TYPE TRIPLE RAIL TERMINAL BLOCKS (EARTH) OPK SERİSİ YAY BASKILI TİP ÜÇ KATLI RAY KLEMENSLER (TOPRAKLI)

PUSH IN




OPK - 3/2,5
Earth / Topraklı
Order No: 1872



Dimensions Ölçüler (mm)	A	B	C	D
	106	60,0	34,5	5,9

MATERIAL / MATERYAL	
Body / Gövde	PA6.6 V2
Bridge / Köprü	Copper / Bakır
Orange Button Turuncu Buton	PA6.6 V2
Spring/ Yay	Stainless Steel / Paslanmaz Çelik
The Foot Which Contact to the Rail/ Raya Temas eden Ayak	Brass / Pirinç
Temp./ Sıcaklık	-40 °C, +140 °C
Cable Strip L. / Soyma Boyu	9 mm

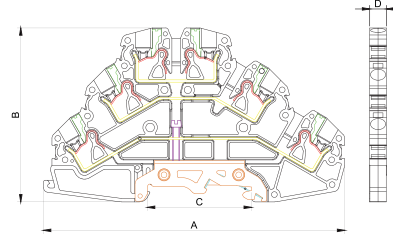
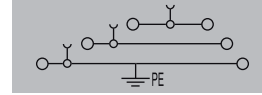
DATA / VERİ	TSE / CE
Voltage / Gerilim	750 V
Current / Akım	24 A
Section / Kesit	2,5 mm ²
Norm	EN-60947-7-1

ACCESSORIES / AKSESUARLAR			
	Order No./ Sip. No.	Section/ Kesit	Pcs./ Ad.
	1925	2,5 / 2	100
	1926	2,5 / 3	100
	1927	2,5 / 4	75
	1928	2,5 / 10	30
	1929	2,5 / 20	20
Stopper / Durdurucu	1202,1222,1212		
Group Sticker/Grup Etiketi	1232		
Marking /Markalama	9770 / 4440 / 4442 / 9540		
Bridged / Köprülü	1862		

PUSH IN




OPK - 3/ 4
Earth / Topraklı
Order No: 1902



Dimensions Ölçüler (mm)	A	B	C	D
	106	60,0	34,5	6,7

MATERIAL / MATERYAL	
Body / Gövde	PA6.6 V2
Bridge / Köprü	Copper / Bakır
Orange Button Turuncu Buton	PA6.6 V2
Spring/ Yay	Stainless Steel / Paslanmaz Çelik
The Foot Which Contact to the Rail/ Raya Temas eden Ayak	Brass / Pirinç
Temp./ Sıcaklık	-40 °C, +140 °C
Cable Strip L. / Soyma Boyu	9 mm

DATA / VERİ	TSE / CE
Voltage / Gerilim	750 V
Current / Akım	32 A
Section / Kesit	4,0 mm ²
Norm	EN-60947-7-1

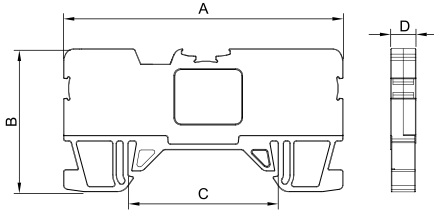
ACCESSORIES / AKSESUARLAR			
	Order No./ Sip. No.	Section/ Kesit	Pcs./ Ad.
	1930	4 / 2	100
	1931	4 / 3	100
	1932	4 / 4	50
	1933	4 / 10	30
	1934	4 / 20	20
Stopper / Durdurucu	1202,1222,1212		
Group Sticker/Grup Etiketi	1232		
Marking /Markalama	9770 / 4440 / 4442 / 9540		
Bridged / Köprülü	1892		

OPK SERIES PUSH-IN TYPE TERMINAL BLOCKS (1 IN/2 OUT) OPK SERİSİ YAY BASKILI TİP RAY KLEMENSLER (1 GİRİŞ/2 ÇIKIŞ)

PUSH IN



OPK - 2,5
Order No: 1262



Dimensions Ölçüler (mm)	A	B	C	D
	64,8	33,0	34,5	5,9

MATERIAL / MATERYAL	
Body / Gövde	PA6.6 V2
Bridge / Köprü	Copper / Bakır
Orange Button Turuncu Buton	PA6.6 V2
Spring/ Yay	Stainless Steel / Paslanmaz Çelik
Temp./ Sıcaklık	-40 °C, +140 °C
Cable Strip L./ Soyma Boyu	9 mm
DATA / VERİ	TSE / CE
Voltage / Gerilim	750 V
Current / Akım	24 A
Section / Kesit	2,5 mm ²
Norm	EN-60947-7-1

RENKLER / COLOURS		
RENK/COLOUR	Order No./ Sip.No.	Pcs./ Ad.
GREY / GRİ	1262	50
CREAM / KREM	1263	50
BLACK / SİYAH	1264	50
BLUE / MAVİ	1265	50
BROWN/K.RENGİ	1266	50
RED / KIRMIZI	1267	50
YELLOW / SARI	1268	50
GREEN / YEŞİL	1269	50

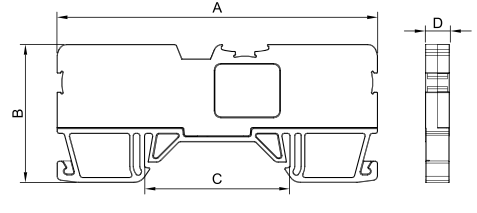
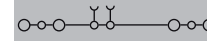
ACCESSORIES / AKSESUARLAR			
Cross Connection / Köprü	Order No./ Sip. No.	Section/ Kesit	Pcs./ Ad.
	1925	2,5 / 2	100
	1926	2,5 / 3	100
	1927	2,5 / 4	75
	1928	2,5 / 10	30
	1929	2,5 / 20	20
Stopper / Durdurucu	1202,1222,1212		
Group Sticker/Grup Etiketi	1232		
Marking / Markalama	9770 / 4440 / 4442 / 9540 / 7301		

OPK SERIES PUSH-IN TYPE TERMINAL BLOCKS (2 IN/2 OUT) OPK SERİSİ YAY BASKILI TİP RAY KLEMENSLER (2 GİRİŞ/2 ÇIKIŞ)

PUSH IN



OPK - 2GC2,5
Order No: 1252



Dimensions Ölçüler (mm)	A	B	C	D
	77,3	33,3	34,5	5,9

MATERIAL / MATERYAL	
Body / Gövde	PA6.6 V2
Bridge / Köprü	Copper / Bakır
Orange Button Turuncu Buton	PA6.6 V2
Spring/ Yay	Stainless Steel / Paslanmaz Çelik
Temp./ Sıcaklık	-40 °C, +140 °C
Cable Strip L./ Soyma Boyu	9 mm
DATA / VERİ	TSE / CE
Voltage / Gerilim	750 V
Current / Akım	24 A
Section / Kesit	2,5 mm ²
Norm	EN-60947-7-1

RENKLER / COLOURS		
RENK/COLOUR	Order No./ Sip.No.	Pcs./ Ad.
GREY / GRİ	1252	50
CREAM / KREM	1253	50
BLACK / SİYAH	1254	50
BLUE / MAVİ	1255	50
BROWN/K.RENGİ	1256	50
RED / KIRMIZI	1257	50
YELLOW / SARI	1258	50
GREEN / YEŞİL	1259	50

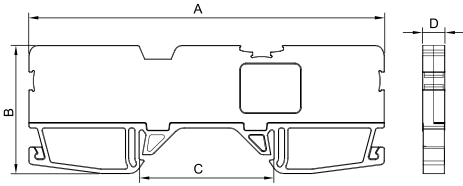
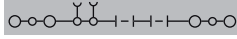
ACCESSORIES / AKSESUARLAR			
Cross Connection / Köprü	Order No./ Sip. No.	Section/ Kesit	Pcs./ Ad.
	1925	2,5 / 2	100
	1926	2,5 / 3	100
	1927	2,5 / 4	75
	1928	2,5 / 10	30
	1929	2,5 / 20	20
Stopper / Durdurucu	1202,1222,1212		
Group Sticker/Grup Etiketi	1232		
Marking / Markalama	9770 / 4440 / 4442 / 9540 / 7301		

OPK SERIES PUSH-IN TEST TERMINAL BLOCKS (2 IN/2 OUT) OPK SERİSİ YAY BASKILI TEST RAY KLEMENSLER (2 GİRİŞ/2 ÇIKIŞ)

PUSH IN



OPK - 2G2C 2,5
Order No: 1242



Dimensions Ölçüler (mm)	A	B	C	D
	91,8	33,0	34,5	5,9

MATERIAL / MATERYAL

Body / Gövde	PA6.6 V2
Bridge / Köprü	Copper / Bakır
Orange Button Turuncu Buton	PA6.6 V2
Spring / Yay	Stainless Steel / Paslanmaz Çelik
Temp./ Sıcaklık	-40 °C, +140 °C
Cable Strip L. / Soyma Boyu	9 mm

DATA / VERİ	TSE / CE
Voltage / Gerilim	750 V
Current / Akım	24 A
Section / Kesit	2,5 mm ²
Norm	EN-60947-7-1

RENKLER / COLOURS

RENK/COLOUR	Order No./Sip.No.	Pcs./Ad.
GREY / GRİ	1242	50
CREAM / KREM	1243	50
BLACK / SİYAH	1244	50
BLUE / MAVİ	1245	50
BROWN/K.RENGİ	1246	50
RED / KIRMIZI	1247	50
YELLOW / SARI	1248	50
GREEN / YEŞİL	1249	50

ACCESSORIES / AKSESUARLAR

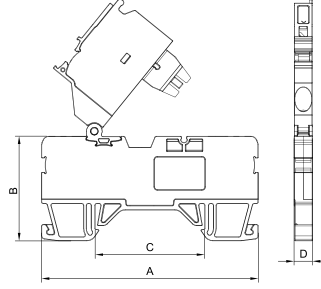
Cross Connection / Köprü	Order No./ Sip. No.	Section/ Kesit	Pcs./ Ad.
	1925	2,5 / 2	100
	1926	2,5 / 3	100
	1927	2,5 / 4	75
	1928	2,5 / 10	30
	1929	2,5 / 20	20
Stopper / Durdurucu	1202,1222,1212		
Group Sticker/Grup Etiketi	1232		
Marking / Markalama	9770 / 4440 / 4442 / 9540 / 7301		

OPK SERIES PUSH-IN FUSED TERMINAL BLOCKS OPK SERİSİ YAY BASKILI SİGORTALI RAY KLEMENSLER

PUSH IN



OPK - S 2,5
Order No: 2482



Dimensions Ölçüler (mm)	A	B	C	D
	68,3	33,0	34,5	5,9

MATERIAL / MATERYAL

Body / Gövde	PA6.6 V2
Bridge / Köprü	Copper / Bakır
Orange Button Turuncu Buton	PA6.6 V2
Spring / Yay	Stainless Steel / Paslanmaz Çelik
Temp./ Sıcaklık	-40 °C, +140 °C
Cable Strip L. / Soyma Boyu	9 mm

DATA / VERİ	TSE / CE
Voltage / Gerilim	750 V
Current / Akım	6,3 A
Section / Kesit	2,5 mm ²
Norm	EN-60947-7-1

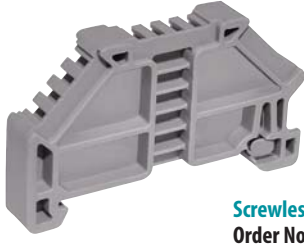
RENKLER / COLOURS

RENK/COLOUR	Order No./Sip.No.	Pcs./Ad.
GREY / GRİ	2482	50
CREAM / KREM	2483	50
BLACK / SİYAH	2484	50
BLUE / MAVİ	2485	50
BROWN/K.RENGİ	2486	50
RED / KIRMIZI	2487	50
YELLOW / SARI	2488	50
GREEN / YEŞİL	2489	50

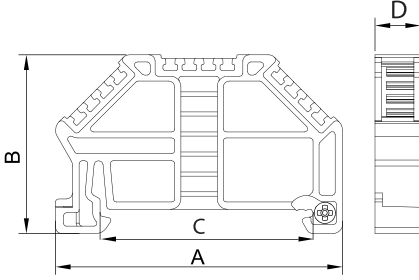
ACCESSORIES / AKSESUARLAR

Stopper / Durdurucu	1202,1222,1212
Group Sticker/Grup Etiketi	1232
Marking / Markalama	9770 / 4440 / 4442 / 9540 / 7301
Glass Fuse / Cam Sigorta	WE-FS-52

MRK AND OPK SERIES SCREWLESS STOPPER MRK VE OPK SERİSİ VİDASIZ DURDURUCU



Screwless Stopper
Order No: 1202

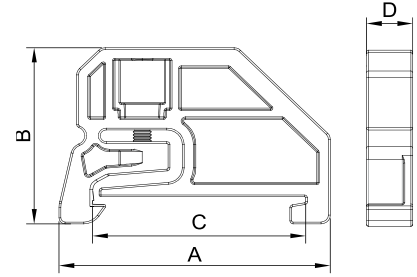


Dimensions Ölçüler (mm)	A	B	C	D
	47,4	29,5	34,5	7,5
MATERIAL / MATERYAL				
Body / Gövde	PA6.6 V2			
Temp./ Sıcaklık	-40 °C, +140 °C			
Metal Leg / Metal Ayak	Steel / Çelik			
ACCESSORIES / AKSESUARLAR				
Marking / Markalama	9770 / 4440 / 4442			

MRK AND OPK SERIES MINI STOPPER MRK VE OPK SERİSİ MİNİ DURDURUCU



Mini Stopper
Order No: 1222

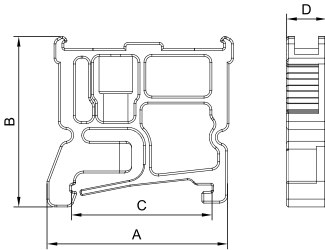


Dimensions Ölçüler (mm)	A	B	C	D
	43,0	30,0	34,5	7,5
MATERIAL / MATERYAL				
Body / Gövde	PA6.6 V2			
Screw/ Vida	Steel / Çelik			
Temp./ Sıcaklık	-40 °C, +140 °C			
ACCESSORIES / AKSESUARLAR				
Marking / Markalama	9770 / 4440 / 4442			

MRK AND OPK SERIES BIG STOPPER MRK VE OPK SERİSİ BÜYÜK BOY DURDURUCU



Big Stopper
Order No: 1212

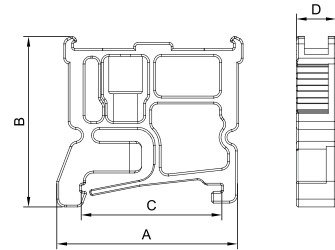


Dimensions Ölçüler (mm)	A	B	C	D
	44,6	43,5	34,5	9,8
MATERIAL / MATERYAL				
Body / Gövde	PA6.6 V2			
Screw/ Vida	Steel / Çelik			
Temp./ Sıcaklık	-40 °C, +140 °C			
ACCESSORIES / AKSESUARLAR				
Marking / Markalama	9770 / 4440 / 4442			

MRK AND OPK SERIES STOPPER WITH GROUP STICKER MRK VE OPK SERİSİ GRUP ETİKETLİ DURDURUCU



Stopper With Group Sticker
Order No: 1232



Dimensions Ölçüler (mm)	A	B	C	D
	44,6	43,5	34,5	9,8
MATERIAL / MATERYAL				
Body / Gövde	PA6.6 V2			
Screw/ Vida	Steel / Çelik			
Temp./ Sıcaklık	-40 °C, +140 °C			
ACCESSORIES / AKSESUARLAR				
Marking / Markalama	9770 / 4440 / 4442			

OPK TYPE CROSS CONNECTIONS OPK SERİSİ RAY KLEMENS ÜST KÖPRÜ (GEÇMELİ)



• The metal parts can not be certainly dissolved in the case of the plastic isolation part's monolithic.

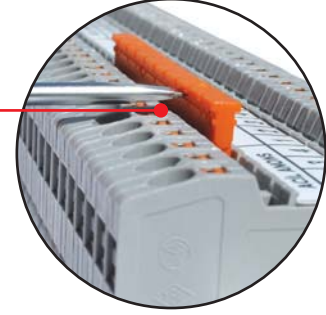
• Plastik izolasyon bölümünün yekpare olması sayesinde metal aksam kesinlikle dağılmamaktadır.



• It can be cutted in the middle of the comb bridge (example 10 and 20 pin bridges).

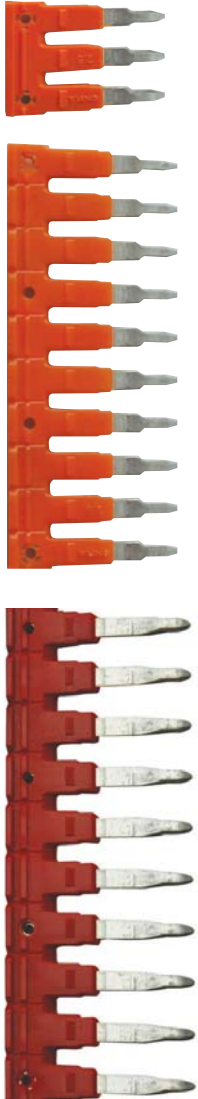
• Köprünün üzerindeki kesme kanalları sayesinde pin aralığının tam ortasından kesilebilme imkanı sunmaktadır.

* Bu özellik 10 Pinli ve 20 Pinli üst köprüler için geçerlidir.



• It can be easily removed with the screwdriver in the case of the notch over the bridge.

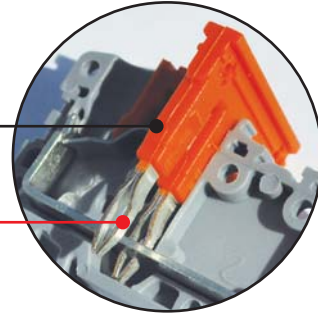
• Köprünün üzerindeki çentik sayesinde tornavida ile rahatlıkla sökülebilmektedir.



COLOUR/ RENK	CODE KOD	TYPE CİNSİ	BOX K./ AD.
Orange	ONKA-1925	2.5 x 2	100
Orange	ONKA-1926	2.5 x 3	100
Orange	ONKA-1927	2.5 x 4	75
Orange	ONKA-1928	2.5 x 10	30
Orange	ONKA-1929	2.5 x 20	20
Orange	ONKA-1930	4 x 2	100
Orange	ONKA-1931	4 x 3	100
Orange	ONKA-1932	4 x 4	50
Orange	ONKA-1933	4 x 10	30
Orange	ONKA-1934	4 x 20	20
Red	ONKA-1945	6 x 2	100
Red	ONKA-1946	6 x 3	50
Red	ONKA-1947	6 x 4	50
Red	ONKA-1948	6 x 10	15
Red	ONKA-1949	6 x 20	10
Red	ONKA-1950	10 x 2	100
Red	ONKA-1951	10 x 3	50
Red	ONKA-1952	10 x 4	50
Red	ONKA-1953	10 x 10	15
Red	ONKA-1954	10 x 20	10
Red	ONKA-1955	16 x 2	10
Red	ONKA-1956	16 x 3	10
Red	ONKA-1957	16 x 4	10
Red	ONKA-1958	16 x 10	10
Red	ONKA-1959	35 x 2	10
Red	ONKA-1960	35 x 3	10
Red	ONKA-1961	35 x 4	10
Red	ONKA-1962	35 x 10	10

• It is provided the bridge to the terminal within the plastic parts.

• Plastik tırnak sayesinde köprünün klemense tutunması sağlanmaktadır.



• In the case of the pin's curved and diagonal structure it can be touched from 4 points to copper busbar.

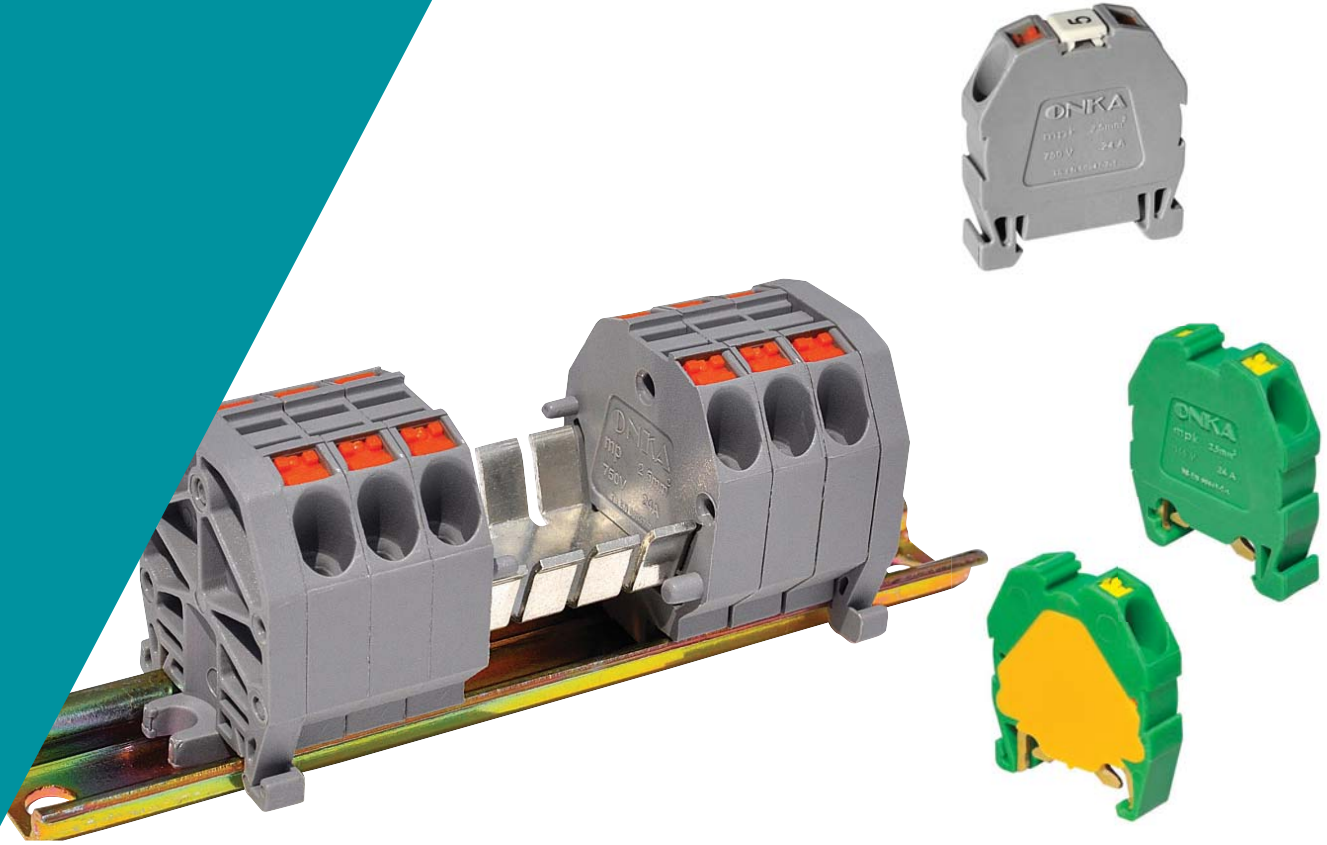
• Pin ucunun kavisli ve çapraz yapısı sayesinde dört noktadan bakır baraya temas etmektedir.

MATERIAL / MATERYAL

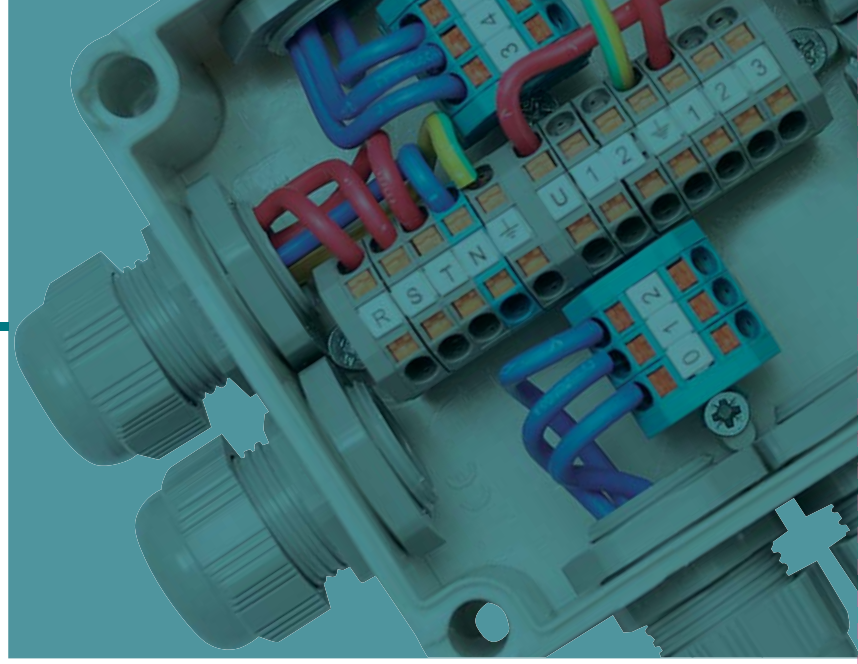
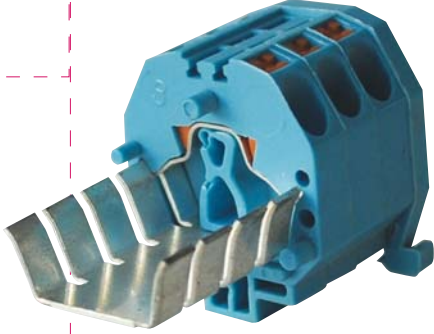
Isolation / İzolasyon	PA 6.6 V2
Body / Gövde	Brass / Pirinç
Covering / Kaplama	Tin / Kalay

Note: All 2,5mm² and 4mm² cross connections can be both used for MRK and OPK Series.

Not: MRK ve OPK serisinde 2,5mm² ve 4mm²'lik üst köprülerin tamamı her iki seride de kullanılmaktadır.



MPK SERIES RAIL TERMINAL BLOCKS MPK SERİSİ RAY KLEMENSLER



MPK SERİSİ YAY BASKILI MİNİ KLEMENS

MPK raya montaj mini yay baskılı klemensler birleştirilmiş yapısıyla kullanıcıya bir çok fayda sağlamaktadır. OPK klemens grubunun küçültülmüş versiyonu olarak dizayn edilmiştir. Mini yay baskılı klemensler, OPK serisi ile aynı özellikleri taşımaktadır. Yüksüklü ve yüksüksüz kabloların sadece ileri itilmesiyle başka herhangi bir alete ihtiyaç duyulmadan kolayca montaj imkanı sağlar.

MPK Klemens serisi, 15 x 5,5 mm raya farklı sonlandırma plaka alternatifleriyle düz bir zemin üzerine iki delik açılarak çivilenerek ve sonlandırma plakasına lehimlenerek de monte edilebilir.

Mini Yay Baskılı Klemenslerin kontak kısmı kalay üzerine bakır kaplamadan oluşmaktadır. Paslanmaz çelik krom ve nikel alaşımından üretilmiş yay kablo üzerine baskı uygular. Su, Asit ve yüksek ısı içeren atmosfer koşullarına kolayca direnç gösterir. Asla Okside olmaz. Monte edilen kablolar yayların üzerinde bulunan turuncu butonlara basılarak kolayca çıkarılabilir. Mini yay baskılı klemenslerin sıkı yapısı, buatların içinde kullanımına olanak sağlar. Ürünün dışı izoleli plastik kısmı sayesinde, patlayıcıların ve gazların bulunduğu alanlarda da kullanımına olanak sağlar. MPK Klemens serisi bir çok alternatiften oluşan renk seçeneklerine de sahiptir. Örneğin doğal klemenslerin mavi, topraklamaların sarı ve yeşil olması gibi...

Bu ürünün en dikkat çekici özelliklerinden biri de, numaralandırma içermesi ve 2'li 3lü, 4'lü ve talebe bağlı daha fazla modüllerde dizayn edilebilmesidir. Bütün deliklerin birbirine kısa devre olma özelliği sayesinde, herhangi bir iç köprüleme veya kablo geçişi yapılmasına gerek kalmamaktadır. Bu ürün doğal dağıtım ve topraklama işlerinde yoğun olarak kullanılmaktadır. MPK klemens serisinin markalamasında piyasada en yaygın olarak kullanılan standart dekafigsler kullanılmaktadır. Ürünün yay baskılı olması vibrasyonlu ortamlarda kolayca kullanılmasına olanak sağlamaktadır. Vidalı klemenslerde zaman zaman görülen vida kaybı problemi bu üründe asla görülmemektedir.

PUSH IN

MPK SERIES PUSH-IN TYPE MINI TERMINAL BLOCKS

MPK Series mini-rail spring terminals offer many advantages to the user with its compact structure. It is designed as minimized version of OPK Terminals. Mini Push-in Terminals, having similar features with OPK Series, enable mounting single-core cables and cables with ferrule by only pushing them forward without need for using any other tool.

MPK Series Terminals both can be mounted to 15 x 5.5 mm mini rail with different end-plate alternatives and screwed on a flat surface and they can also be fixed on two holes to a flat surface with dowels through nails on the end-plate.

The contact structure of Mini Push-in Terminals is copper covered with tin. The spring applying pressure to the cable is made of stainless steel and is highly an alloy of Chrome (Cr) and Nickel (Ni). It is resistant against atmospheric conditions, water, acids and high-temperature environments. It is never oxidized. Mounted cables can be easily removed through orange buttons on the springs. Compact structure of mini Push-in Terminals enables use in confined spaces junction boxes. Insulated outer plastic part of the product has Exproof (Ex) feature which enables use in environments where explosives and gases are used. MPK Series terminals have a wide variety of color options, e.g. neutral terminals are blue and grounding terminals are yellow & green.

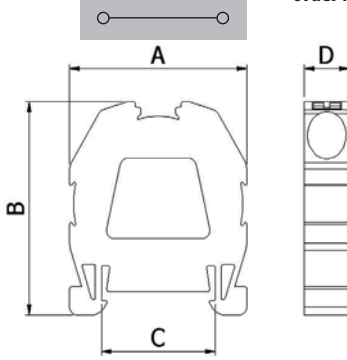
The most significant feature of these products is that it is designed in required numbers and in modules of 2, 3, 4 or more, as per demand. As all holes are short-circuits to each other thanks to this feature, there is no need to make exterior bridging connection or bypass with cable. Upon demand, we can make customized combinations in our plant. These modules are widely used for neutral distribution and grounding works. Marking on MPK Series terminals can be performed by using standard dekafigs widely used in market. As the product is spring-pressed, it can be easily used in vibrated environments. Screw loosening problems, which are sometimes suffered in screw terminals are never seen in these products.

MPK SERIES PUSH-IN MINI TERMINAL BLOCKS MPK SERİSİ YAY BASKILI MİNİ RAY KLEMENSLER

PUSH IN



**MPK - 2,5
Closed Type**
Order No: 1422



Dimensions Ölçüler (mm)	A	B	C	D
	23,0	26,4	15,0	5,9

MATERIAL / MATERYAL

Body / Gövde	PA6.6 V2
Bridge / Köprü	Copper / Bakır
Orange Button Turuncu Buton	PA6.6 V2
Spring / Yay	Stainless Steel / Paslanmaz Çelik
Temp./ Sıcaklık	-40 °C, +140 °C
Cable Strip L. / Soyma Boyu	8 mm
DATA / VERİ	TSE / CE
Voltage / Gerilim	750 V
Current / Akım	24 A
Section / Kesit	2,5 mm ²
Norm	EN-60947-7-1

RENKLER / COLOURS

RENK/COLOUR	Order No./ Sip.No.	Pcs. /Ad.
GREY / GRİ	1422	100
CREAM / KREM	1423	100
BLACK / SİYAH	1424	100
BLUE / MAVİ	1425	100
BROWN/K.RENGİ	1426	100
RED / KIRMIZI	1427	100
YELLOW / SARI	1428	100
GREEN / YEŞİL	1429	100

ACCESSORIES / AKSESUARLAR

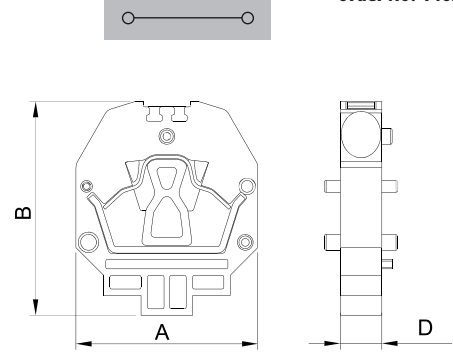
Stopper / Durdurucu	1472
Marking / Markalama	9540
Rail / Ray	4247, 4252, 4102, 4112

MPK SERIES PUSH-IN MINI TERMINAL BLOCKS MPK SERİSİ YAY BASKILI MİNİ RAY KLEMENSLER

PUSH IN



**MPK - 2,5
Open Type**
Order No: 1462



Dimensions Ölçüler (mm)	A	B	D
	23,0	27,0	5,3

MATERIAL / MATERYAL

Body / Gövde	PA6.6 V2
Bridge / Köprü	Copper / Bakır
Orange Button Turuncu Buton	PA6.6 V2
Spring / Yay	Stainless Steel / Paslanmaz Çelik
Temp./ Sıcaklık	-40 °C, +140 °C
Cable Strip L. / Soyma Boyu	8 mm
DATA / VERİ	TSE / CE
Voltage / Gerilim	750 V
Current / Akım	24 A
Section / Kesit	2,5 mm ²
Norm	EN-60947-7-1

RENKLER / COLOURS

RENK/COLOUR	Order No./ Sip.No.	Pcs. /Ad.
GREY / GRİ	1462	100
CREAM / KREM	1463	100
BLACK / SİYAH	1464	100
BLUE / MAVİ	1465	100
BROWN/K.RENGİ	1466	100
RED / KIRMIZI	1467	100
YELLOW / SARI	1468	100
GREEN / YEŞİL	1469	100

ACCESSORIES / AKSESUARLAR

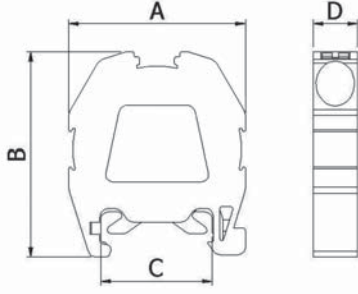
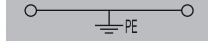
Stopper / Durdurucu	1442,1452
Marking / Markalama	9540
Rail / Ray	4247, 4252, 4102, 4112

MPK SERIES PUSH-IN TYPE MINI EARTH TERMINAL BLOCKS MPK SERİSİ YAY BASKILI MİNİ RAY KLEMENSLER



PUSH IN

**MPK - 2,5 (Earth)
Closed Type
Order No: 1470**



Dimensions Ölçüler (mm)	A	B	C	D
	23,0	26,5	15,0	5,9

MATERIAL / MATERYAL

Body / Gövde	PA6.6 V2
Bridge / Köprü	Copper / Bakır
Orange Button Turuncu Buton	PA6.6 V2
Spring/Yay	Stainless Steel / Paslanmaz Çelik
The Foot Which Contact to the Rail/ Raya Temas eden Ayak	Brass / Pirinç
Temp./Sıcaklık	-40 °C, +140 °C
Cable Strip L. / Soyma Boyu	8 mm

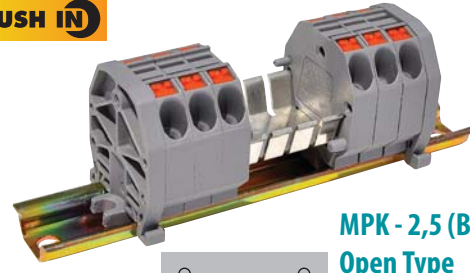
DATA / VERİ	TSE / CE
Voltage / Gerilim	750 V
Section / Kesit	2,5 mm ²
Norm	EN-60947-7-1

ACCESSORIES / AKSESUARLAR

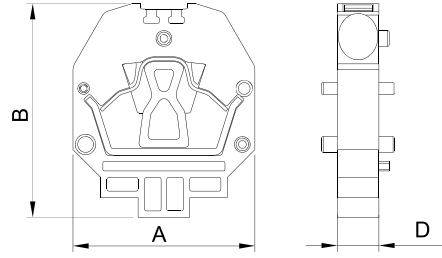
Stopper / Durdurucu	1472
Marking / Markalama	9540
Rail / Ray	4247, 4252, 4102, 4112

MP SERIES PUSH-IN TYPE BRIDGED MINI TERMINAL BLOCKS MP SERİSİ MİNİ YAY BASKILI KLEMENSLER

PUSH IN



**MPK - 2,5 (Bridged)
Open Type
Order No: 1432**



Dimensions Ölçüler (mm)	A	B	D
	23,0	27,0	5,3

MATERIAL / MATERYAL

Body / Gövde	PA6.6 V2
Bridge / Köprü	Copper / Bakır
Orange Button Turuncu Buton	PA6.6 V2
Spring/Yay	Stainless Steel / Paslanmaz Çelik
The Foot Which Contact to the Rail/ Raya Temas eden Ayak	Brass / Pirinç
Temp./Sıcaklık	-40 °C, +140 °C
Cable Strip L. / Soyma Boyu	8 mm

DATA / VERİ	TSE / CE
Voltage / Gerilim	750 V
Section / Kesit	2,5 mm ²
Norm	EN-60947-7-1

RENKLER / COLOURS

RENK/COLOUR	Order No./Sip.No.	Pcs./Ad.
GREY / GRİ	1432	100
CREAM / KREM	1433	100
BLACK / SİYAH	1434	100
BLUE / MAVİ	1435	100
BROWN/K.RENGİ	1436	100
RED / KIRMIZI	1437	100
YELLOW / SARI	1438	100
GREEN / YEŞİL	1439	100

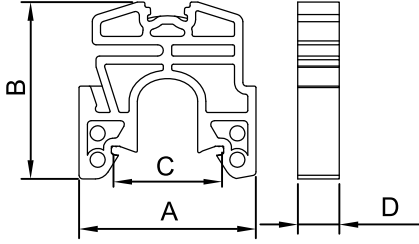
ACCESSORIES / AKSESUARLAR

Stopper / Durdurucu	1442,1452
Marking / Markalama	9540
Rail / Ray	4247, 4252, 4102, 4112

MPK SERIES SCREWLESS STOPPER MPK SERİSİ VİDASIZ DURDURUCU



MPK Stopper
Order No: 1472

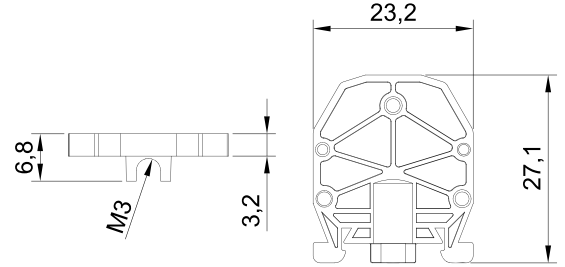


Dimensions Ölçüler (mm)	A	B	C	D
	23,5	23,5	14,5	5,5
MATERIAL / MATERYAL				
Body / Gövde	PA6.6 V2			
Temp./ Sıcaklık	-40 °C, +140 °C			
Metal Leg / Metal Ayak	Steel / Çelik			
ACCESSORIES / AKSESUARLAR				
Marking / Markalama	9770 / 4440 / 4442			

MPK SERIES STOPPER & END BRACKET (RAIL MOUNTABLE) MPK SERİSİ DURDURUCU & SONLANDIRICI (RAYA MONTAJ)



MPK Stopper & End Bracket
Order No: 1442

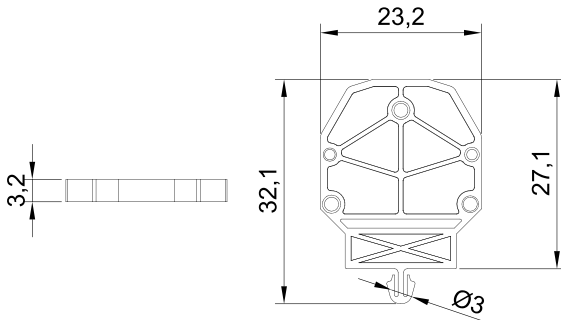


MATERIAL / MATERYAL	
Body / Gövde	PA6.6 V2
Temp./ Sıcaklık	-40 °C, +140 °C

MPK SERIES STOPPER & END BRACKET (GROUND MOUNTABLE) MPK SERİSİ DURDURUCU & SONLANDIRICI (ZEMİNE MONTAJ)



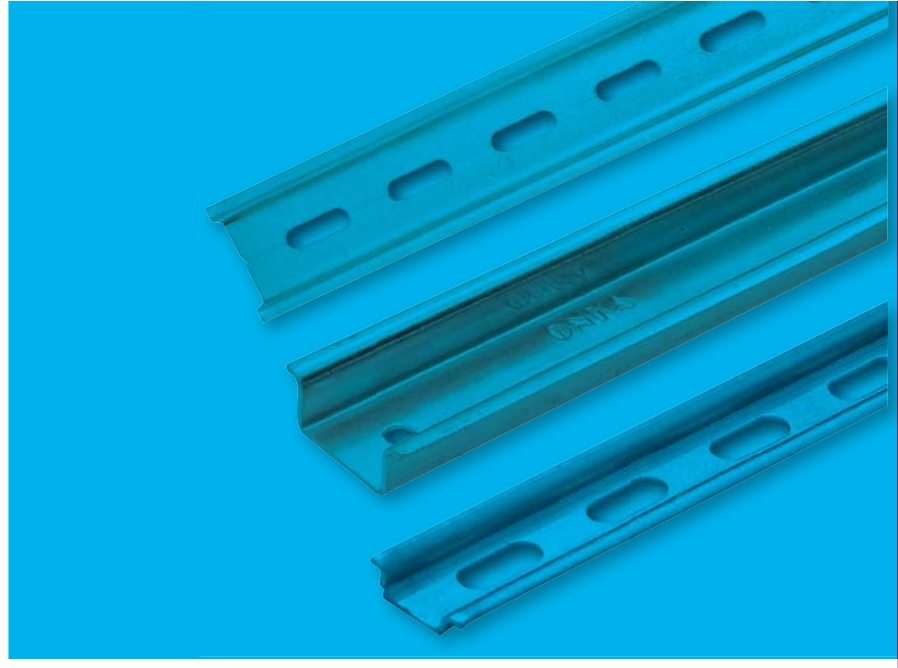
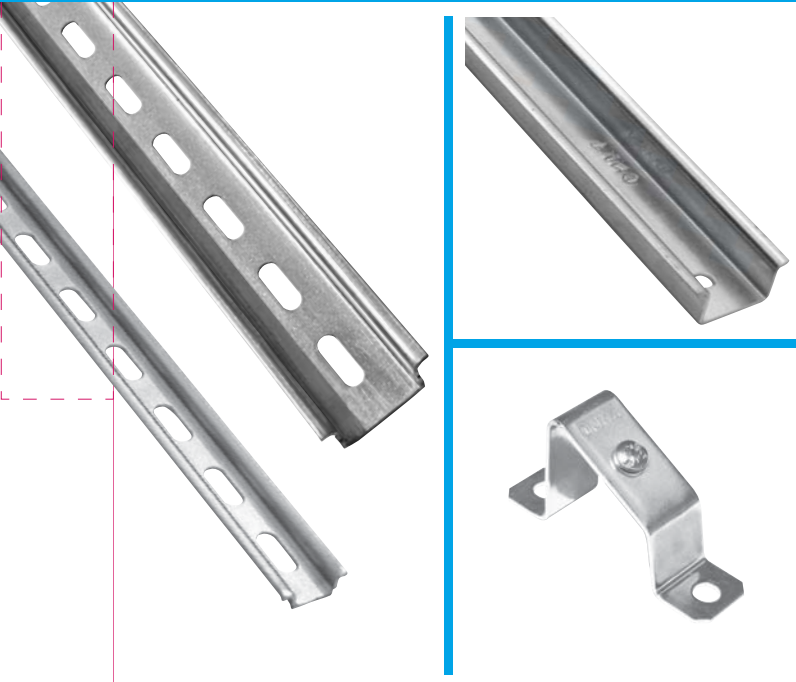
MPK Stopper & End Bracket
Order No: 1452



MATERIAL / MATERYAL	
Body / Gövde	PA6.6 V2
Temp./ Sıcaklık	-40 °C, +140 °C



RAILS RAYLAR



MOUNTING RAILS

Tecnical Features:

- Made of DKP material.
- With dimension of 35x7,5 mm, 35x15 mm and 15x5,5 mm , are produced in accordance with international standards.
- There are two different coating alternatives as CR + 3 and Galvanized.
- Regarding the desired lengths, special production can be made by cutting rails that provides time and cost saving.
- 35x7.5 mm 35x15 mm aluminum rail alternatives are available for carrying heavy materials
- 35x15 mm deep rails which made of 1.5mm thickness sheet are available in order to carry heavy materials

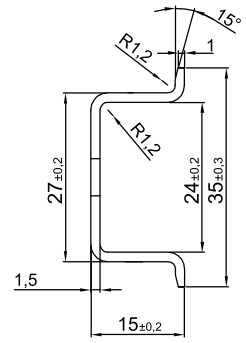
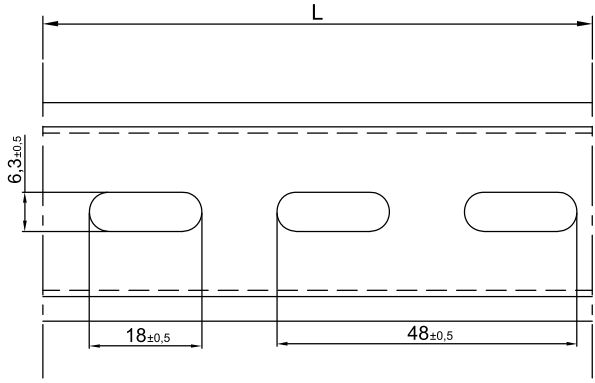
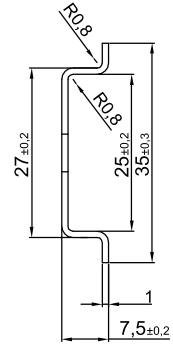
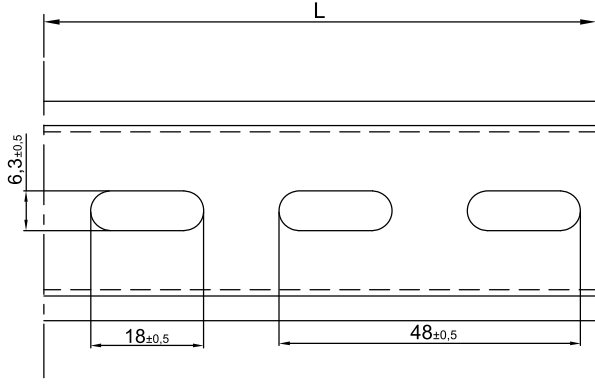
MONTAJ RAYLARI

Teknik Özellikler:

- DKP malzemeden üretilmiştir.
- 35x7,5 mm, 35x15 mm ve 15x5,5 mm olarak uluslararası standartlara uygun ebatlarda üretilmektedir.
- CR+3 ve Galvaniz olmak üzere iki farklı kaplama alternatifi bulunmaktadır.
- İstenilen boylarda kesim yapılarak özel üretim yapılması sayesinde zaman, işçilik ve maliyet tasarrufu sağlama imkanı sunulmaktadır.
- Ağır malzemeleri taşıyabilme amaçlı 35x15 mm ebadındaki derin ray, 1,5 mm kalınlığında sacdan üretilmektedir.
- Ağır malzemeleri taşıyabilme amaçlı 35x7,5 mm ve 35x15 mm alüminyum ray alternatifleri bulunmaktadır.

MOUNTING RAILS

MONTAJ RAYLARI



35 x 7,5 FLAT SHEET MOUNTING DIN RAILS (Galvanized) 35 x 7,5 GALVANİZ KAPLI DÜZ MONTAJ RAYLARI



CODE KOD	TYPE CİNSİ	Pcs. / Ad.
4211	30 cm	100
4212	1 m	50
4213	2 m	50
4214	3 m	25

35 x 7,5 SLOTTED SHEET MOUNTING DIN RAILS (Galvanized) 35 x 7,5 GALVANİZ KAPLI DELİKLİ SAC MONTAJ RAYLARI



CODE KOD	TYPE CİNSİ	Pcs. / Ad.
4221	30 cm	100
4222	1 m	50
4223	2 m	50
4224	3 m	25

35 x 15 FLAT SHEET MOUNTING DIN RAILS (Galvanized) 35 x 15 GALVANİZ KAPLI DÜZ MONTAJ RAYLARI

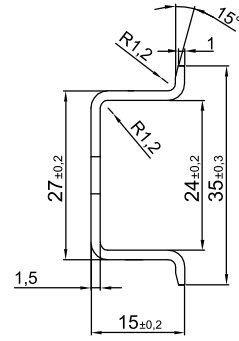
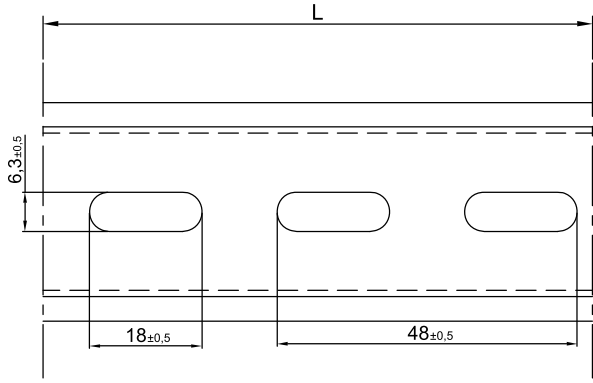
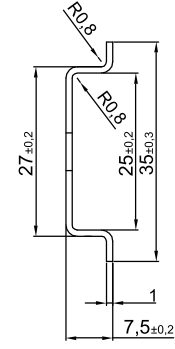
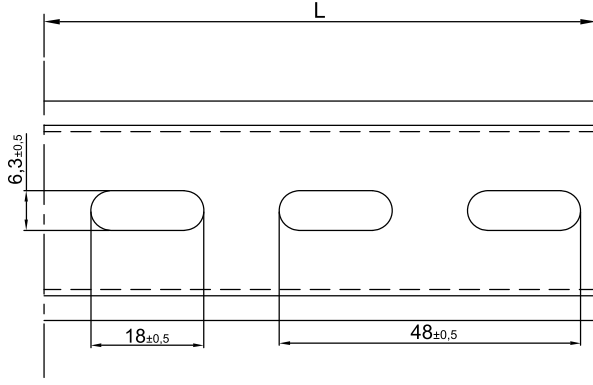


CODE KOD	TYPE CİNSİ	Pcs. / Ad.
4231	30 cm	100
4232	1 m	25
4233	2 m	25
4234	3 m	25

35 x 15 SLOTTED SHEET MOUNTING DIN RAILS (Galvanized) 35 x 15 GALVANİZ KAPLI DELİKLİ SAC MONTAJ RAYLARI



CODE KOD	TYPE CİNSİ	Pcs. / Ad.
4241	30 cm	100
4242	1 m	25
4243	2 m	25
4244	3 m	25



35 x 7,5 FLAT SHEET MOUNTING DIN RAILS (Cr + 3 Plated) 35 x 7,5 DÜZ SAC MONTAJ RAYLARI (Cr + 3 Kaplama)



CODE KOD	TYPE CİNSİ	Pcs. / Ad.
4021	30 cm	100
4022	1 m	50
4023	2 m	50
4024	3 m	25

35 x 7,5 SLOTTED SHEET MOUNTING DIN RAILS (Cr + 3 Plated) 35 x 7,5 DELİKLİ SAC MONTAJ RAYLARI (Cr + 3 Kaplama)



CODE KOD	TYPE CİNSİ	Pcs. / Ad.
4031	30 cm	100
4032	1 m	50
4033	2 m	50
4034	3 m	25

35 x 15 FLAT SHEET MOUNTING DIN RAILS (Cr + 3 Plated) 35 x 15 DÜZ SAC MONTAJ RAYLARI (Cr + 3 Kaplama)

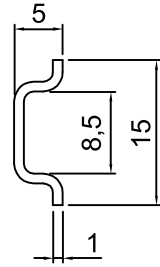
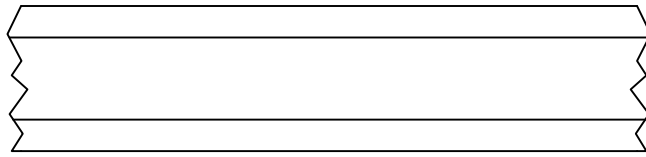
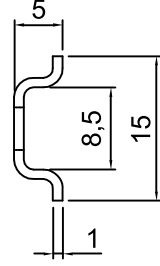
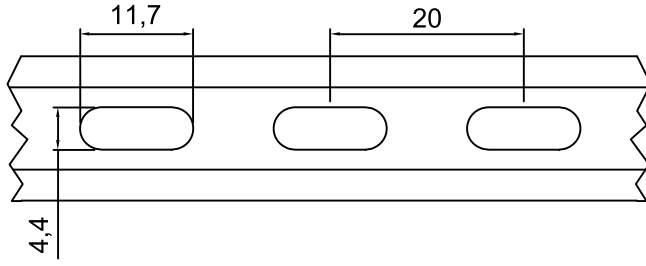


CODE KOD	TYPE CİNSİ	Pcs. / Ad.
4061	30 cm	100
4062	1 m	25
4063	2 m	25
4064	3 m	25

35 x 15 SLOTTED SHEET MOUNTING DIN RAILS (Cr + 3 Plated) 35 x 7,5 DELİKLİ SAC MONTAJ RAYLARI (Cr + 3 Kaplama)



CODE KOD	TYPE CİNSİ	Pcs. / Ad.
4071	30 cm	100
4072	1 m	25
4073	2 m	25
4074	3 m	25



15 x 5,5 FLAT SHEET MOUNTING DIN RAILS (Galvanized) 15 x 5,5 GALVANİZ KAPLI DÜZ MONTAJ RAYLARI



CODE KOD	TYPE CİNSİ	Pcs. / Ad.
4246	30 cm	100
4247	1 m	100
4248	2 m	100
4249	3 m	100

15 x 5,5 SLOTTED SHEET MOUNTING DIN RAILS (Galvanized) 15 x 5,5 GALVANİZ KAPLI DELİKLİ SAC MONTAJ RAYLARI



CODE KOD	TYPE CİNSİ	Pcs. / Ad.
4251	30 cm	100
4252	1 m	100
4253	2 m	100
4254	3 m	100

15 x 5,5 FLAT SHEET MOUNTING DIN RAILS (Cr + 3 Plated) 15 x 5,5 DÜZ SAC MONTAJ RAYLARI (Cr + 3 Kaplama)

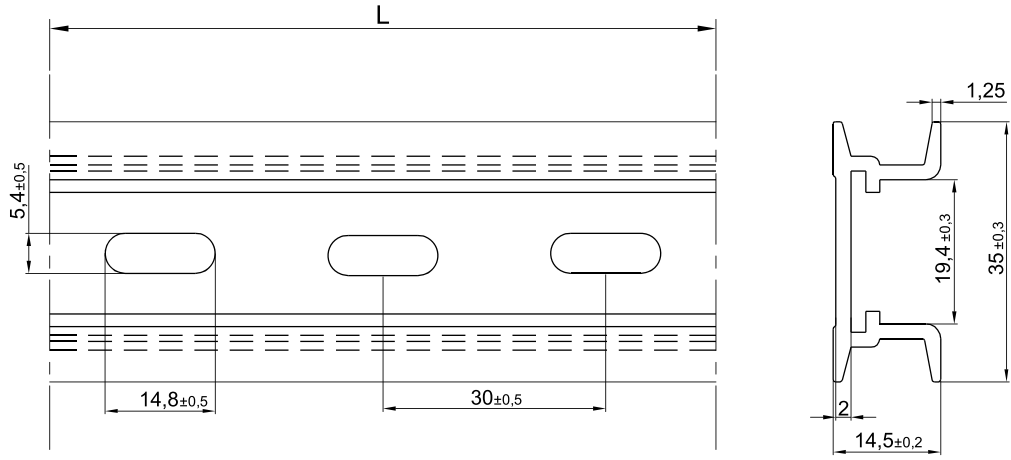
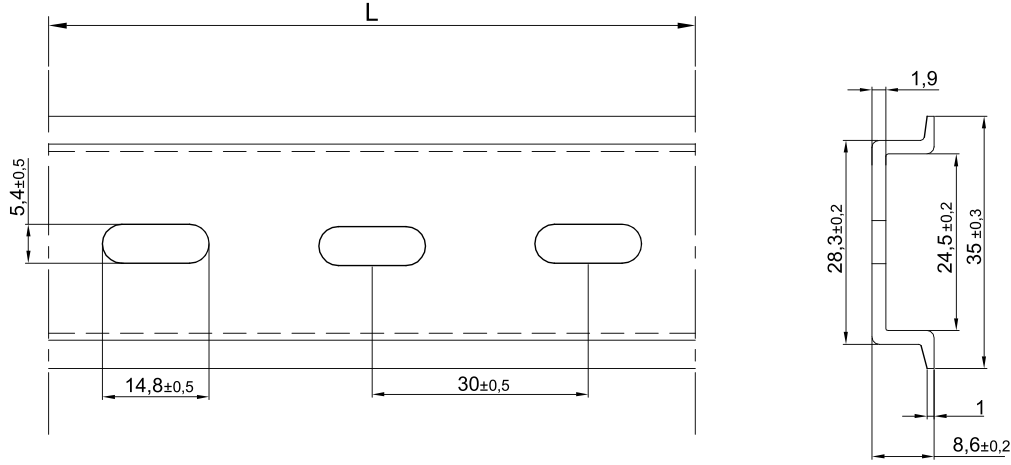


CODE KOD	TYPE CİNSİ	Pcs. / Ad.
4101	30 cm	100
4102	1 m	100
4103	2 m	100
4104	3 m	100

15 x 5,5 SLOTTED SHEET MOUNTING DIN RAILS (Cr + 3 Plated) 15 x 5,5 DELİKLİ SAC MONTAJ RAYLARI (Cr + 3 Kaplama)



CODE KOD	TYPE CİNSİ	Pcs. / Ad.
4111	30 cm	100
4112	1 m	100
4113	2 m	100
4114	3 m	100



35 x 7,5 FLAT SHEET ALUMINIUM DIN RAILS 35 x 7,5 DÜZ ALÜMİNYUM MONTAJ RAYLARI



CODE KOD	TYPE CİNSİ	Pcs. / Ad.
4121	30 cm	100
4122	1 m	35
4123	2 m	25
4124	3 m	100

35 x 7,5 SLOTTED SHEET ALUMINIUM DIN RAILS 35 x 7,5 DELİKLİ ALÜMİNYUM MONTAJ RAYLARI



CODE KOD	TYPE CİNSİ	Pcs. / Ad.
4131	30 cm	100
4132	1 m	35
4133	2 m	25
4134	3 m	100

MG TYPE FLAT SHEET ALUMINIUM DIN RAILS MG TİPİ DÜZ ALÜMİNYUM MONTAJ RAYLARI



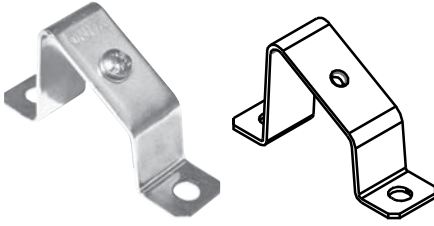
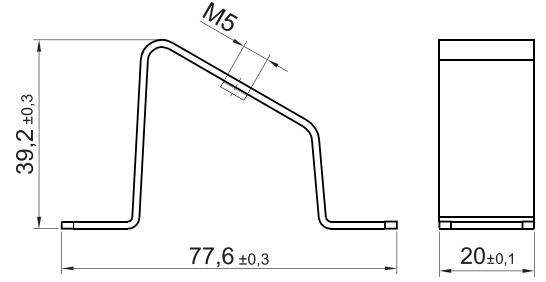
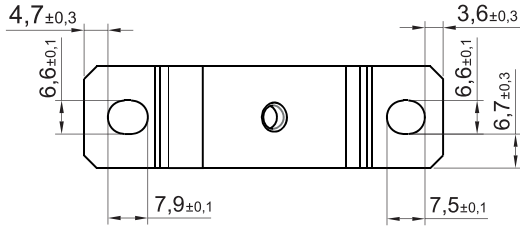
CODE KOD	TYPE CİNSİ	Pcs. / Ad.
4141	30 cm	25
4142	1 m	50
4143	2 m	50
4144	3 m	50

MG TYPE SLOTTED SHEET ALUMINIUM DIN RAILS MG TİPİ DELİKLİ ALÜMİNYUM MONTAJ RAYLARI



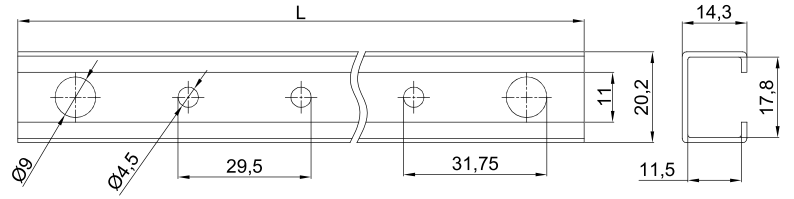
CODE KOD	TYPE CİNSİ	Pcs. / Ad.
4146	30 cm	25
4147	1 m	50
4148	2 m	50
4149	3 m	50

SHEET MOUNTING RAIL SUPPORT (CR+3 PLATED) RAY TAŞIYICI (SAC , CR + 3)



CODE KOD	TYPE CİNSİ	Pcs. / Ad.
4172	Ray Taşıyıcı Sac Krom Sheet Mounting Rail Support	100

U PROFILE SUPPORT RAIL U PROFİL DESTEK RAYI (CR+3)

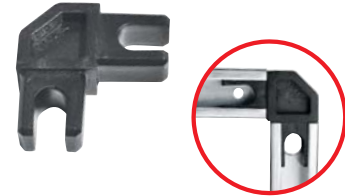


CODE KOD	TYPE CİNSİ	Pcs. / Ad.
ONKA- 4191	1 Metre U Profil (Cr3)	30
ONKA- 4192	2 Metre U Profil (Cr3)	30
ONKA- 4193	3 Metre U Profil (Cr3)	30

W AUTOMAT RAIL ISOLATION APPARATUS W OTOMAT RAYI İZOLASYON APARATI

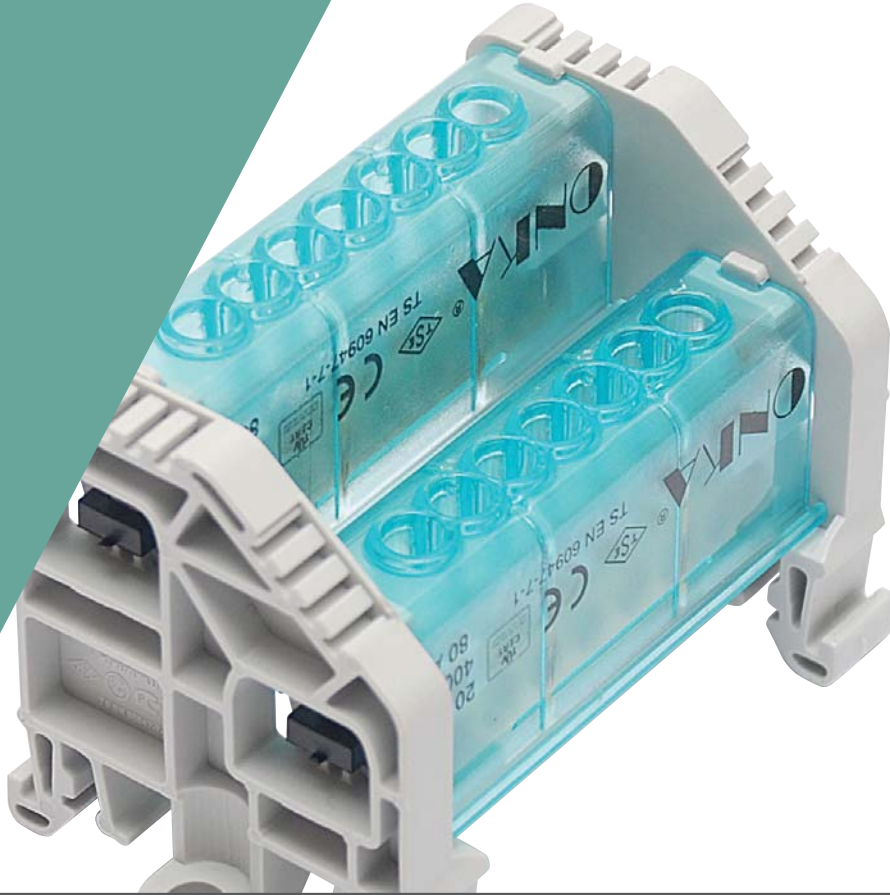


CORNER PLASTIC APPARATUS KÖŞE APARATI (PANO KAPAKLARI İÇİN)

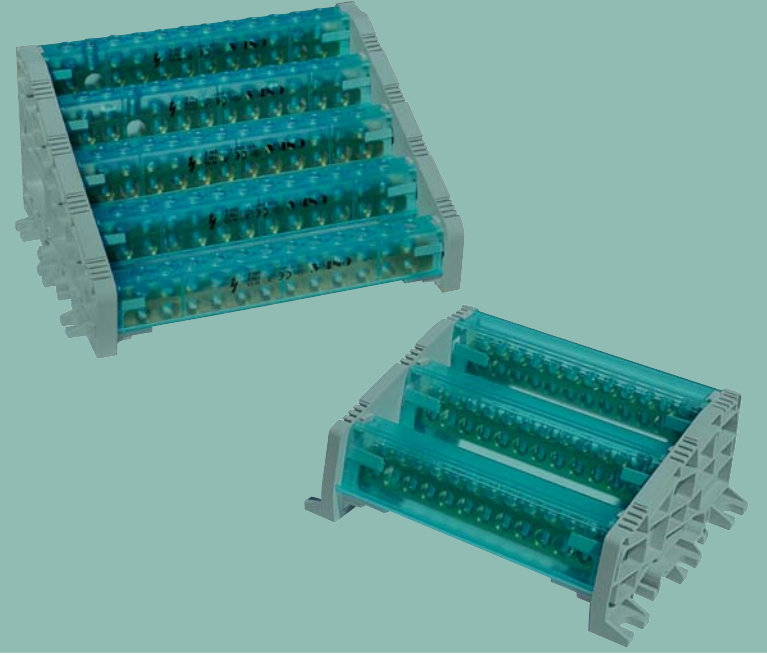


CODE KOD	TYPE CİNSİ	Pcs. / Ad.
ONKA - 2137	35'lik İzolasyon Aparatı (1 m) 35 Isolation Apparatus	100

CODE KOD	TYPE CİNSİ	Pcs. / Ad.
4195	Sağ / Sol Köşe Aparatı Right / Left Corner Plastic Apparatus	100



DISTRIBUTION UNITS DAĞITICI ÜNİTELER



DISTRIBUTION UNITS

Technical Features :

The most important point about distribution units is, the Screw holes on transparent covers. These holes allow the user to mount the screws without removing it. This provides an important mounting convenience

Since there were no holes before, the user Needed to remove the transparent cover from its place and install it.

With this holes on the transparent cover, there will not be any waste of time for mounting.

DAĞITICI ÜNİTELER

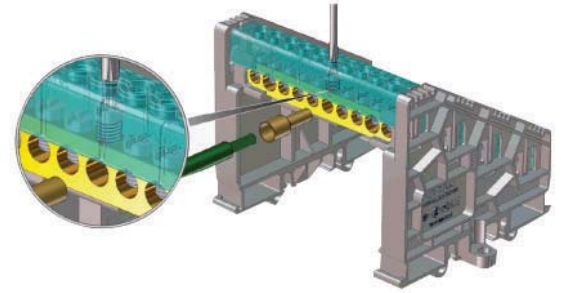
Teknik Özellikler:

Dağıtıcı ünitelerde en çok göze çarpan özellik, şeffaf kapakların üzerine açılan vida delikleridir.

Bu delikler sayesinde kullanıcı şeffaf kapağı yerinden çıkartmadan vidaları sıkabilmektedir. Buda önemli bir montaj kolaylığı sağlamaktadır.

Daha önce bu delikler olmadığı için kullanıcı şeffaf kapağı yerinden çıkartıp o şekilde montaj yapması gerekiyordu. Kullanıcı kabloları deliklere iterken kimini çok fazla kimini az ittiğinden dolayı , şeffaf kapağın kapanmamasına sebep olmaktadır ve kabloları yerinden söküp tekrar hizalama yapmak zorunda kalıyordu.

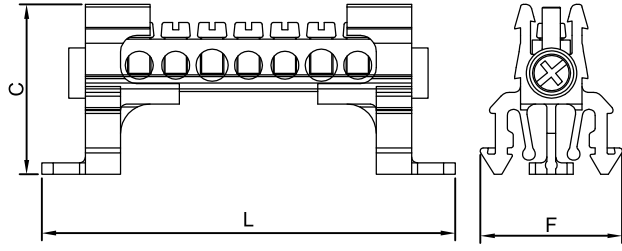
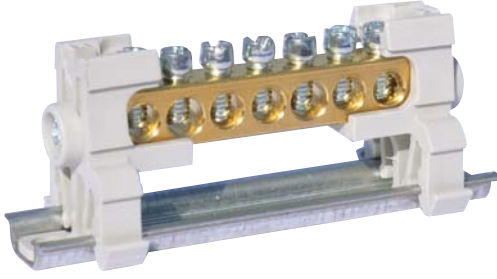
Şeffaf kapağın üzerine açılan montaj delikleri sayesinde bu zaman kaybı ortadan kaldırılmış oldu.



DISTRIBUTION UNITS

DAĞITICI ÜNİTELER

SINGLE POLE DISTRIBUTION UNITS 6.5 x 9 mm - WITHOUT COVER TEK KUTUPLU DAĞITICI ÜNİTELER - KAPAKSIZ

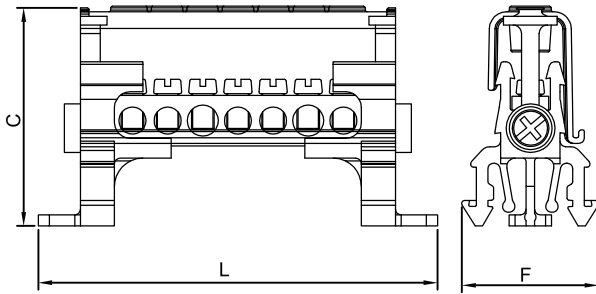


* U_{imp} : Impact strength voltage / Darbe dayanımı gerilimi

MATERIAL / MATERYAL	
Foot / Ayak (2 Pcs.)	PA 6.6 V2
Square Screw / Gövde Vidası (2 Pcs.)	Steel / Çelik
Earth / Topraklama (1 Pcs.)	Brass / Pirinç
Torque Screw / Sıkma Vidası (7-22 Pcs.)	Steel / Çelik
Max. section 16 mm ² for single core cable / Tek damar kablolar için Max. section 10 mm ² for multi core cable / Çok telli kablolar için	

CODE KOD	DESCRIPTIONS ÖZELLİKLER	Current Akım (A)	Voltage Voltaj (V)	U_{imp} (V)	L (mm)	F (mm)	C (mm)	Pcs. Ad.
2051	2 / 5 - 7 Holes	80	400	4000	56,5	24	28,2	32
2052	2 / 8 - 10 Holes	80	400	4000	75	24	28,2	24
2053	2 / 10 - 12 Holes	80	400	4000	87,5	24	28,2	18
2054	2 / 13 - 15 Holes	80	400	4000	106	24	28,2	16
2055	2 / 20 - 22 Holes	80	400	4000	150	24	28,2	12

SINGLE POLE DISTRIBUTION UNITS 6.5 x 9 mm - WITH COVER TEK KUTUPLU DAĞITICI ÜNİTELER - KAPAKLI

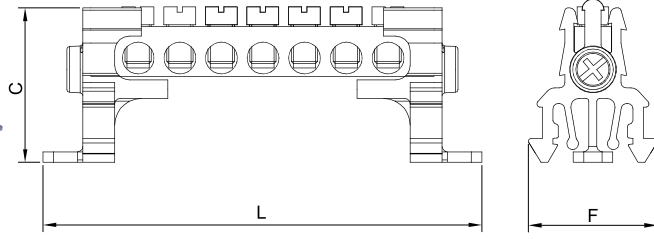
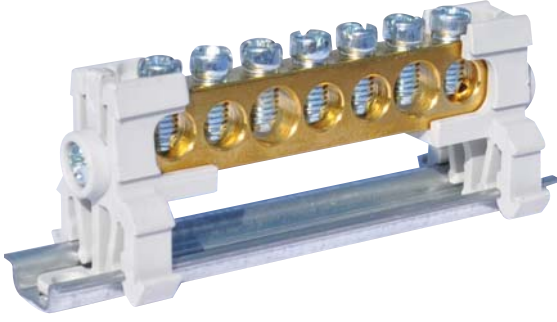


* U_{imp} : Impact strength voltage / Darbe dayanımı gerilimi

MATERIAL / MATERYAL	
Foot / Ayak (2 Pcs.)	PA 6.6 V2
Square Screw / Gövde Vidası (2 Pcs.)	Steel / Çelik
Earth / Topraklama (1 Pcs.)	Brass / Pirinç
Torque Screw / Sıkma Vidası (7-22 Pcs.)	Steel / Çelik
Max. section 16 mm ² for single core cable / Tek damar kablolar için Max. section 10 mm ² for multi core cable / Çok telli kablolar için	

CODE KOD	DESCRIPTIONS ÖZELLİKLER	Current Akım (A)	Voltage Voltaj (V)	U_{imp} (V)	L (mm)	F (mm)	C (mm)	Pcs. Ad.
2061	2 / 5 - 7 Holes	80	400	4000	56,5	24	36	32
2062	2 / 8 - 10 Holes	80	400	4000	75	24	36	24
2063	2 / 10 - 12 Holes	80	400	4000	87,5	24	36	18
2064	2 / 13 - 15 Holes	80	400	4000	106	24	36	16
2065	2 / 20 - 22 Holes	80	400	4000	150	24	36	12

SINGLE POLE DISTRIBUTION UNITS 7 x 12 mm - WITHOUT COVER TEK KUTUPLU DAĞITICI ÜNİTELER - KAPAKSIZ

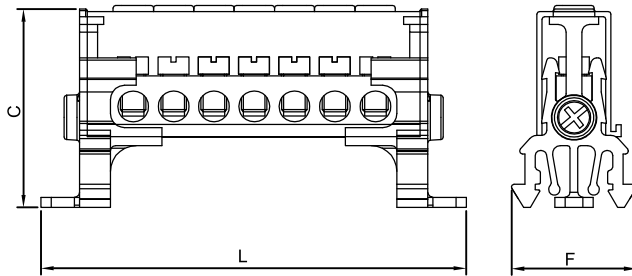


* U_{imp} : Impact strength voltage / Darbe dayanımı gerilimi

MATERIAL / MATERYAL	
Foot / Ayak (2 Pcs.)	PA 6.6 V2
Square Screw / Gövde Vidası (2 Pcs.)	Steel / Çelik
Earth / Topraklama (1 Pcs.)	Brass / Pirinç
Torque Screw / Sıkma Vidası (7-22 Pcs.)	Steel / Çelik
Max. section 25 mm ² for single core cable / Tek damar kablolar için Max. section 25 mm ² for multi core cable / Çok telli kablolar için	

CODE KOD	DESCRIPTIONS ÖZELLİKLER	Current Akım (A)	Voltage Voltaj (V)	U_{imp} (V)	L (mm)	F (mm)	C (mm)	Pcs. Ad.
2056	2 / 5 - 7 Holes	160	750	4000	68,1	24	28,2	32
2057	2 / 8 - 10 Holes	160	750	4000	91,8	24	28,2	24
2058	2 / 10 - 12 Holes	160	750	4000	107,6	24	28,2	18
2059	2 / 13 - 15 Holes	160	750	4000	131,2	24	28,2	16
2060	2 / 20 - 22 Holes	160	750	4000	186	24	28,2	12

SINGLE POLE DISTRIBUTION UNITS 7 x 12 mm - WITH COVER TEK KUTUPLU DAĞITICI ÜNİTELER - KAPAKLI

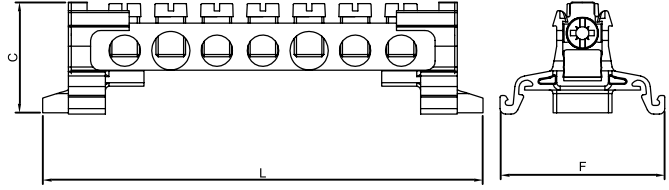
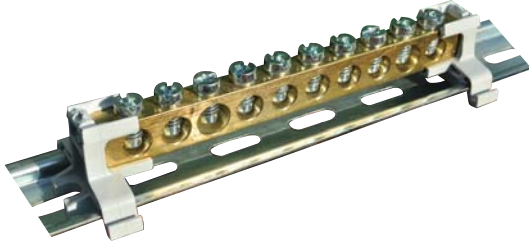


* U_{imp} : Impact strength voltage / Darbe dayanımı gerilimi

MATERIAL / MATERYAL	
Foot / Ayak (2 Pcs.)	PA 6.6 V2
Square Screw / Gövde Vidası (2 Pcs.)	Steel / Çelik
Earth / Topraklama (1 Pcs.)	Brass / Pirinç
Torque Screw / Sıkma Vidası (7-22 Pcs.)	Steel / Çelik
Max. section 25 mm ² for single core cable / Tek damar kablolar için Max. section 25 mm ² for multi core cable / Çok telli kablolar için	

CODE KOD	DESCRIPTIONS ÖZELLİKLER	Current Akım (A)	Voltage Voltaj (V)	U_{imp} (V)	L (mm)	F (mm)	C (mm)	Pcs. Ad.
2071	2 / 5 - 7 Holes	160	750	4000	68,1	24	36	32
2072	2 / 8 - 10 Holes	160	750	4000	91,8	24	36	24
2073	2 / 10 - 12 Holes	160	750	4000	107,6	24	36	18
2074	2 / 13 - 15 Holes	160	750	4000	131,2	24	36	16
2075	2 / 20 - 22 Holes	160	750	4000	186	24	36	12

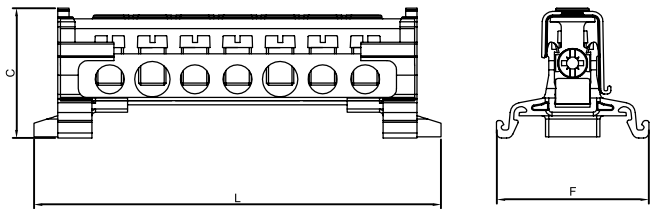
SINGLE POLE DISTRIBUTION UNITS 10 x 15 mm - WITHOUT COVER TEK KUTUPLU DAĞITICI ÜNİTELER - KAPAKSIZ



* U_{imp} : Impact strength voltage / Darbe dayanımı gerilimi

MATERIAL / MATERYAL		CODE KOD	DESCRIPTIONS ÖZELLİKLER	Current Akım (A)	Voltage Voltaj (V)	U_{imp} (V)	L (mm)	F (mm)	C (mm)	Pcs. Ad.
Foot / Ayak (2 Pcs.)	PA 6.6 V2	2066	2 / 5 - 7 Holes	250	750	4000	107	43,2	39	32
Square Screw / Gövde Vidası (2 Pcs.)	Steel / Çelik	2067	2 / 8 - 10 Holes	250	750	4000	145	43,2	39	24
Earth / Topraklama (1 Pcs.)	Brass / Pirinç	2068	2 / 10 - 12 Holes	250	750	4000	170	43,2	39	18
Torque Screw / Sıkma Vidası (7-22 Pcs.)	Steel / Çelik	2069	2 / 13 - 15 Holes	250	750	4000	206,5	43,2	39	16
Max. section 50 mm ² for single core cable / Tek damar kablolar için Max. section 50 mm ² for multi core cable / Çok telli kablolar için		2070	2 / 20 - 22 Holes	250	750	4000	294	43,2	39	12

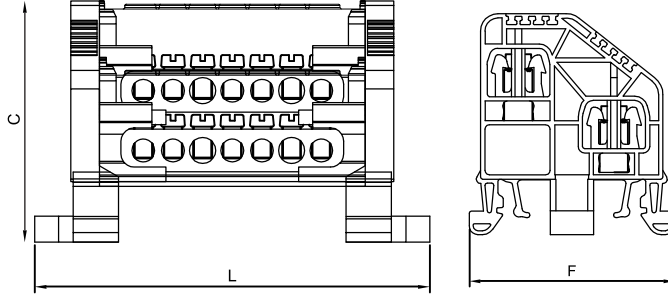
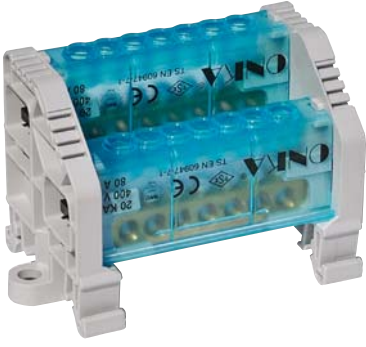
SINGLE POLE DISTRIBUTION UNITS 10 x 15 mm - WITH COVER TEK KUTUPLU DAĞITICI ÜNİTELER - KAPAKLI



* U_{imp} : Impact strength voltage / Darbe dayanımı gerilimi

MATERIAL / MATERYAL		CODE KOD	DESCRIPTIONS ÖZELLİKLER	Current Akım (A)	Voltage Voltaj (V)	U_{imp} (V)	L (mm)	F (mm)	C (mm)	Pcs. Ad.
Foot / Ayak (2 Pcs.)	PA 6.6 V2	2076	2 / 5 - 7 Holes	250	750	4000	107	43,2	46	32
Square Screw / Gövde Vidası (2 Pcs.)	Steel / Çelik	2077	2 / 8 - 10 Holes	250	750	4000	145	43,2	46	24
Earth / Topraklama (1 Pcs.)	Brass / Pirinç	2078	2 / 10 - 12 Holes	250	750	4000	170	43,2	46	18
Torque Screw / Sıkma Vidası (7-22 Pcs.)	Steel / Çelik	2079	2 / 13 - 15 Holes	250	750	4000	206,5	43,2	46	16
Max. section 50 mm ² for single core cable / Tek damar kablolar için Max. section 50 mm ² for multi core cable / Çok telli kablolar için		2080	2 / 20 - 22 Holes	250	750	4000	294	43,2	46	12

TWO POLES DISTRIBUTION UNITS 6,5 x 9 mm - WITH COVER İKİ KUTUPLU DAĞITICI ÜNİTELER - KAPAKLI

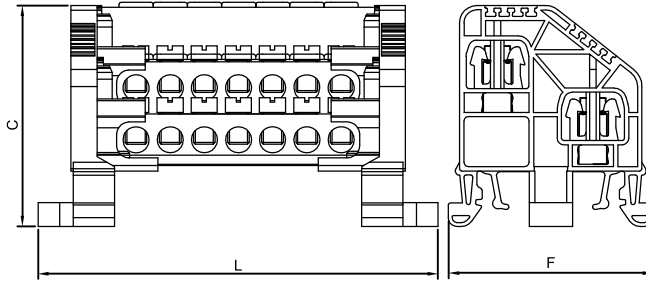
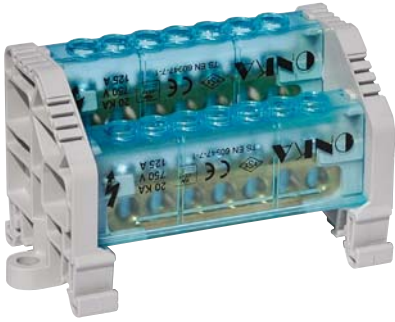


* U_{imp} : Impact strength voltage / Darbe dayanımı gerilimi

MATERIAL / MATERYAL	
Foot / Ayak (2 Pcs.)	PA 6.6 V2
Screw / Vida (14 - 44 Pcs.)	Steel / Çelik
Earth / Topraklama (2 Pcs.)	Brass / Pirinç
Cover / Kapak (2 Pcs.)	Polycarbonat
Max. section 16 mm ² for single core cable / Tek damar kablolar için Max. section 10 mm ² for multi core cable / Çok telli kablolar için	

CODE KOD	DESCRIPTIONS ÖZELLİKLER	Current Akım (A)	Voltage Voltaj (V)	U_{imp} (V)	L (mm)	F (mm)	C (mm)	Pcs. Ad.
2081	2 / 5 - 7 Holes	80	400	4000	67,5	41,7	50,8	1
2082	2 / 8 - 10 Holes	80	400	4000	86,5	41,7	50,8	1
2083	2 / 10 - 12 Holes	80	400	4000	99	41,7	50,8	1
2084	2 / 13 - 15 Holes	80	400	4000	117,5	41,7	50,8	1
2085	2 / 20 - 22 Holes	80	400	4000	161,3	41,7	50,8	1

TWO POLES DISTRIBUTION UNITS 7 x 12 mm - WITH COVER İKİ KUTUPLU DAĞITICI ÜNİTELER - KAPAKLI

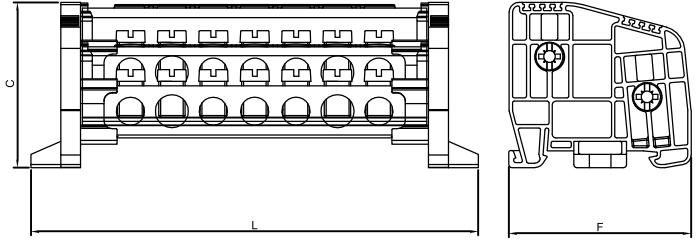
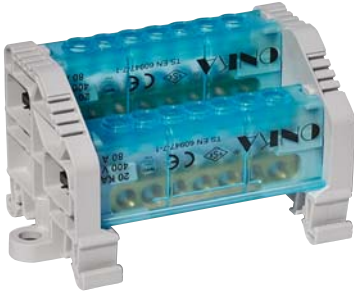


* U_{imp} : Impact strength voltage / Darbe dayanımı gerilimi

MATERIAL / MATERYAL	
Foot / Ayak (2 Pcs.)	PA 6.6 V2
Screw / Vida (14 - 44 Pcs.)	Steel / Çelik
Earth / Topraklama (2 Pcs.)	Brass / Pirinç
Cover / Kapak (2 Pcs.)	Polycarbonat
Max. section 25 mm ² for single core cable / Tek damar kablolar için Max. section 25 mm ² for multi core cable / Çok telli kablolar için	

CODE KOD	DESCRIPTIONS ÖZELLİKLER	Current Akım (A)	Voltage Voltaj (V)	U_{imp} (V)	L (mm)	F (mm)	C (mm)	Pcs. Ad.
2091	2 / 5 - 7 Holes	160	750	4000	80	41,7	50,8	1
2092	2 / 8 - 10 Holes	160	750	4000	103,5	41,7	50,8	1
2093	2 / 10 - 12 Holes	160	750	4000	119	41,7	50,8	1
2094	2 / 13 - 15 Holes	160	750	4000	142	41,7	50,8	1
2095	2 / 20 - 22 Holes	160	750	4000	197	41,7	50,8	1

TWO POLES DISTRIBUTION UNITS 10 x 15 mm - WITH COVER İKİ KUTUPLU DAĞITICI ÜNİTELER - KAPAKLI

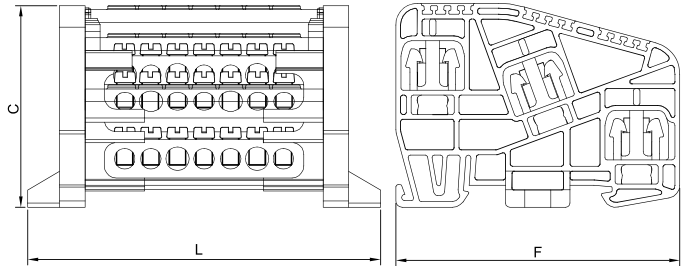


* U_{imp} : Impact strength voltage / Darbe dayanımı gerilimi

MATERIAL / MATERYAL	
Foot / Ayak (2 Pcs.)	PA 6.6 V2
Screw / Vida (14 - 44 Pcs.)	Steel / Çelik
Earth / Topraklama (2 Pcs.)	Brass / Pirinç
Cover / Kapak (2 Pcs.)	Polycarbonat
Max. section 50 mm ² for single core cable / Tek damar kablolar için Max. section 50 mm ² for multi core cable / Çok telli kablolar için	

CODE KOD	DESCRIPTIONS ÖZELLİKLER	Current Akım (A)	Voltage Voltaj (V)	U_{imp} (V)	L (mm)	F (mm)	C (mm)	Pcs. Ad.
2086	2 / 5 - 7 Holes	250	750	4000	117	55	50,8	1
2087	2 / 8 - 10 Holes	250	750	4000	154,5	55	50,8	1
2088	2 / 10 - 12 Holes	250	750	4000	179	55	50,8	1
2089	2 / 13 - 15 Holes	250	750	4000	217	55	50,8	1
2090	2 / 20 - 22 Holes	250	750	4000	304,5	55	50,8	1

THREE POLES DISTRIBUTION UNITS 6,5 x 9 mm - WITH COVER (LOW TYPE) ÜÇ KUTUPLU DAĞITICI ÜNİTELER - KAPAKLI (ALÇAK TİP)



* U_{imp} : Impact strength voltage / Darbe dayanımı gerilimi

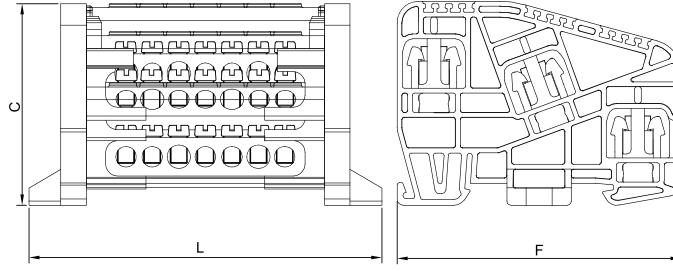
* Beyan edilen darbe dayanımı gerilimine karşı tam izolasyon sağlanabilmesi için ürün ile birlikte verilen taban izolasyon parçası kullanılmalıdır.

* In order to ensure complete insulation for the declared impact strength, the base insulation part must be used which provided with the product

MATERIAL / MATERYAL	
Foot / Ayak (2 Pcs.)	PA 6.6 V2
Screw / Vida (21-66 Pcs.)	Steel / Çelik
Earth / Topraklama (3 Pcs.)	Brass / Pirinç
Cover / Kapak (3 Pcs.)	Polycarbonat
Max. section 16 mm ² for single core cable / Tek damar kablolar için Max. section 10 mm ² for multi core cable / Çok telli kablolar için	
ACCESSORY / AKSESUAR	
Distribution Unit Isolation Apparatus Dağıtıcı Ünite Alt İzolasyon Aparatı	Code : 2137

CODE KOD	DESCRIPTIONS ÖZELLİKLER	Current Akım (A)	Voltage Voltaj (V)	U_{imp} (V)	L (mm)	F (mm)	C (mm)	Pcs. Ad.
2171	2 / 5 - 7 Holes	80	400	4000	67,7	66	47	1
2172	2 / 8 - 10 Holes	80	400	4000	86,6	66	47	1
2173	2 / 10 - 12 Holes	80	400	4000	98,9	66	47	1
2174	2 / 13 - 15 Holes	80	400	4000	117,8	66	47	1
2175	2 / 20 - 22 Holes	80	400	4000	161,5	66	47	1

THREE POLES DISTRIBUTION UNITS 7 x 12 mm - WITH COVER (LOW TYPE) ÜÇ KUTUPLU DAĞITICI ÜNİTELER - KAPAKLI (ALÇAK TİP)



* U_{imp} : Impact strength voltage / Darbe dayanımı gerilimi

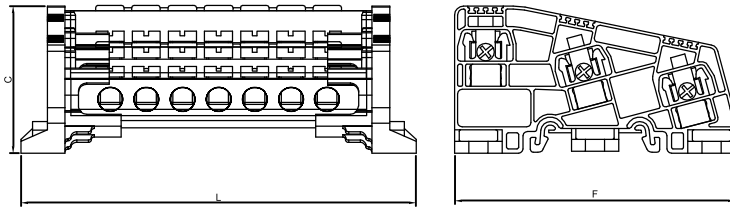
* Beyan edilen darbe dayanımı gerilimine karşı tam izolasyon sağlanabilmesi için ürün ile birlikte verilen taban izolasyon parçası kullanılmalıdır.

* In order to ensure complete insulation for the declared impact strength, the base insulation part must be used which provided with the product

MATERIAL / MATERYAL	
Foot / Ayak (2 Pcs.)	PA 6.6 V2
Screw / Vida (21-66 Pcs.)	Steel / Çelik
Earth / Topraklama (3 Pcs.)	Brass / Pirinç
Cover / Kapak (3 Pcs.)	Polycarbonat
Max. section 25 mm ² for single core cable / Tek damar kablolar için Max. section 25 mm ² for multi core cable / Çok telli kablolar için	
ACCESSORY / AKSESUAR	
Distribution Unit Isolation Apparatus Dağıtıcı Ünite Alt İzolasyon Aparatı	Code : 2137

CODE KOD	DESCRIPTIONS ÖZELLİKLER	Current Akım (A)	Voltage Voltaj (V)	U_{imp} (V)	L (mm)	F (mm)	C (mm)	Pcs. Ad.
2151	2 / 5 - 7 Holes	160	750	4000	80	66	47	1
2152	2 / 8 - 10 Holes	160	750	4000	103,5	66	47	1
2153	2 / 10 - 12 Holes	160	750	4000	119	66	47	1
2154	2 / 13 - 15 Holes	160	750	4000	142	66	47	1
2155	2 / 20 - 22 Holes	160	750	4000	197	66	47	1

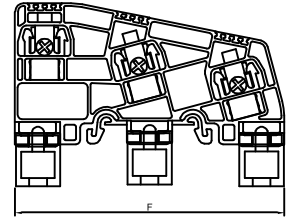
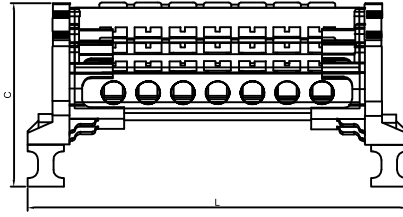
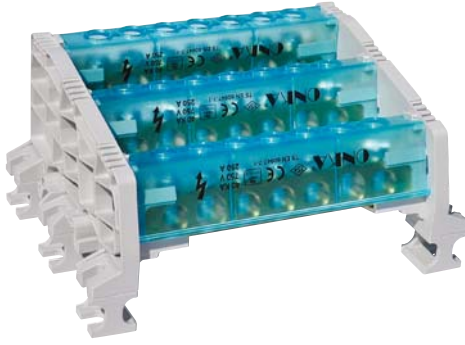
THREE POLES DISTRIBUTION UNITS 10 x 15 mm - WITH COVER (LOW TYPE) ÜÇ KUTUPLU DAĞITICI ÜNİTELER - KAPAKLI (ALÇAK TİP)



MATERIAL / MATERYAL	
Foot / Ayak (2 Pcs.)	PA 6.6 V2
Screw / Vida (21-66 Pcs.)	Steel / Çelik
Earth / Topraklama (3 Pcs.)	Brass / Pirinç
Cover / Kapak (3 Pcs.)	Polycarbonat
Max. section 50 mm ² for single core cable / Tek damar kablolar için Max. section 50 mm ² for multi core cable / Çok telli kablolar için	

CODE KOD	DESCRIPTIONS ÖZELLİKLER	Current Akım (A)	Voltage Voltaj (V)	U_{imp} (V)	L (mm)	F (mm)	C (mm)	Pcs. Ad.
2181	2 / 5 - 7 Holes	250	750	4000	117	94,5	50	1
2182	2 / 8 - 10 Holes	250	750	4000	154,5	94,5	50	1
2183	2 / 10 - 12 Holes	250	750	4000	179	94,5	50	1
2184	2 / 13 - 15 Holes	250	750	4000	217	94,5	50	1
2185	2 / 20 - 22 Holes	250	750	4000	304,5	94,5	50	1

THREE POLES DISTRIBUTION UNITS 10 x 15 mm - WITH COVER (HIGH TYPE) ÜÇ KUTUPLU DAĞITICI ÜNİTELER - KAPAKLI (YÜKSEK TİP)

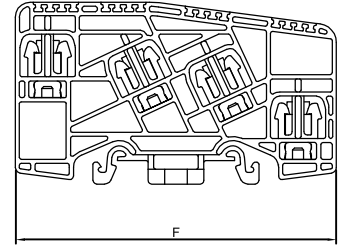
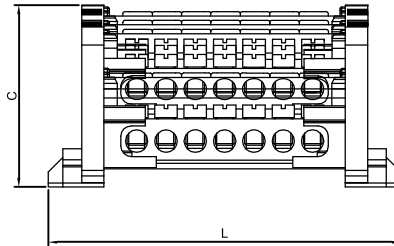
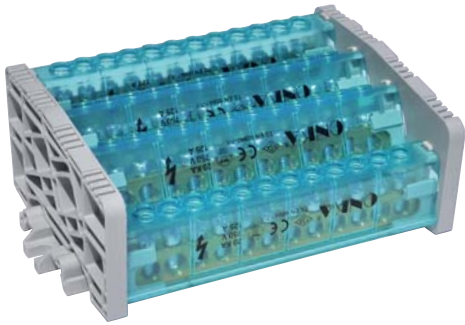


* U_{imp} : Impact strength voltage / Darbe dayanımı gerilimi

MATERIAL / MATERYAL	
Foot / Ayak (2 Pcs.)	PA 6.6 V2
Screw / Vida (21-66 Pcs.)	Steel / Çelik
Earth / Topraklama (4 Pcs.)	Brass / Pirinç
Cover / Kapak 4 Pcs.)	Polycarbonat
Fixing Screw / Sabitleme Vidası (6 Pcs.)	Steel / Çelik
Max. section 50 mm ² for single core cable / Tek damar kablolar için Max. section 50 mm ² for multi core cable / Çok telli kablolar için	

CODE KOD	DESCRIPTIONS ÖZELLİKLER	Current Akım (A)	Voltage Voltaj (V)	U_{imp} (V)	L (mm)	F (mm)	C (mm)	Pcs. Ad.
2186	2 / 5 - 7 Holes	250	750	4000	117	94,5	65	1
2187	2 / 8 - 10 Holes	250	750	4000	154,5	94,5	65	1
2188	2 / 10 - 12 Holes	250	750	4000	179	94,5	65	1
2189	2 / 13 - 15 Holes	250	750	4000	217	94,5	65	1
2190	2 / 20 - 22 Holes	250	750	4000	304,5	94,5	65	1

FOUR POLES DISTRIBUTION UNITS 6,5 x 9 mm - WITH COVER (LOW TYPE) DÖRT KUTUPLU DAĞITICI ÜNİTELER - KAPAKLI (ALÇAK TİP)

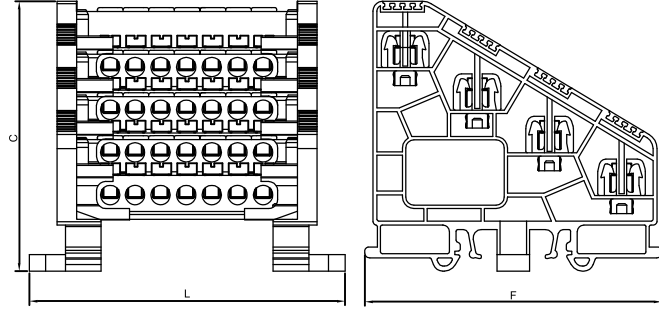
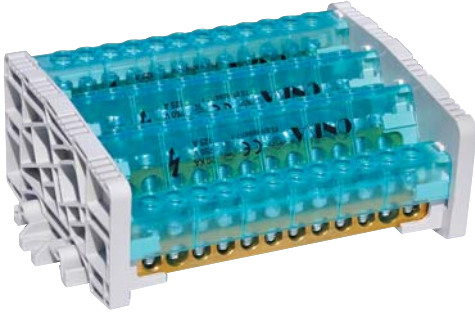


* U_{imp} : Impact strength voltage / Darbe dayanımı gerilimi

MATERIAL / MATERYAL	
Foot / Ayak (2 Pcs.)	PA 6.6 V2
Screw / Vida (28- 88 Pcs.)	Steel / Çelik
Earth / Topraklama (4 Pcs.)	Brass / Pirinç
Cover / Kapak 4 Pcs.)	Polycarbonat
Max. section 16 mm ² for single core cable / Tek damar kablolar için Max. section 10 mm ² for multi core cable / Çok telli kablolar için	

CODE KOD	DESCRIPTIONS ÖZELLİKLER	Current Akım (A)	Voltage Voltaj (V)	U_{imp} (V)	L (mm)	F (mm)	C (mm)	Pcs. Ad.
2201	2 / 5 - 7 Holes	80	400	4000	67,8	86	49	1
2202	2 / 8 - 10 Holes	80	400	4000	86,7	86	49	1
2203	2 / 10 - 12 Holes	80	400	4000	99	86	49	1
2204	2 / 13 - 15 Holes	80	400	4000	117,9	86	49	1
2205	2 / 20 - 22 Holes	80	400	4000	161,6	86	49	1

FOUR POLES DISTRIBUTION UNITS 7 x 12 mm - WITH COVER (LOW TYPE) DÖRT KUTUPLU DAĞITICI ÜNİTELER - KAPAKLI (ALÇAK TİP)

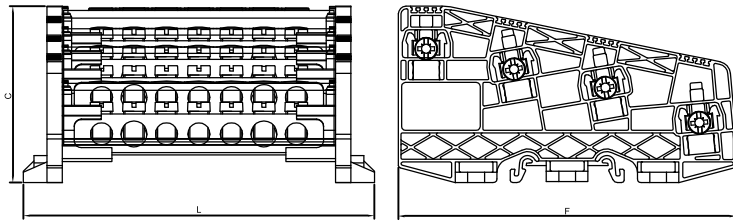
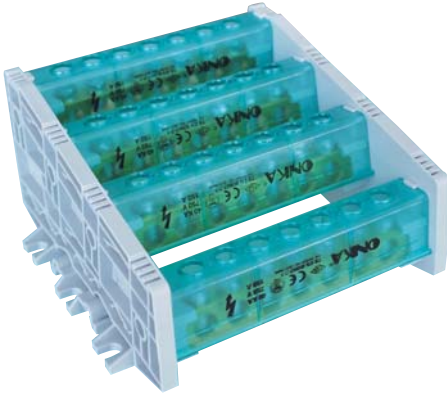


* U_{imp} : Impact strength voltage / Darbe dayanımı gerilimi

MATERIAL / MATERYAL	
Foot / Ayak (2 Pcs.)	PA 6.6 V2
Screw / Vida (28- 88 Pcs.)	Steel / Çelik
Earth / Topraklama (4 Pcs.)	Brass / Pirinç
Cover / Kapak 4 Pcs.)	Polycarbonat
Max. section 25 mm ² for single core cable / Tek damar kablolar için Max. section 25 mm ² for multi core cable / Çok telli kablolar için	

CODE KOD	DESCRIPTIONS ÖZELLİKLER	Current Akım (A)	Voltage Voltaj (V)	U_{imp} (V)	L (mm)	F (mm)	C (mm)	Pcs. Ad.
2211	2 / 5 - 7 Holes	160	750	4000	79,7	86	49	1
2212	2 / 8 - 10 Holes	160	750	4000	103,2	86	49	1
2213	2 / 10 - 12 Holes	160	750	4000	118,7	86	49	1
2214	2 / 13 - 15 Holes	160	750	4000	141,7	86	49	1
2215	2 / 20 - 22 Holes	160	750	4000	196,7	86	49	1

FOUR POLES DISTRIBUTION UNITS 10 x 15 mm - WITH COVER (LOW TYPE) DÖRT KUTUPLU DAĞITICI ÜNİTELER - KAPAKLI (ALÇAK TİP)

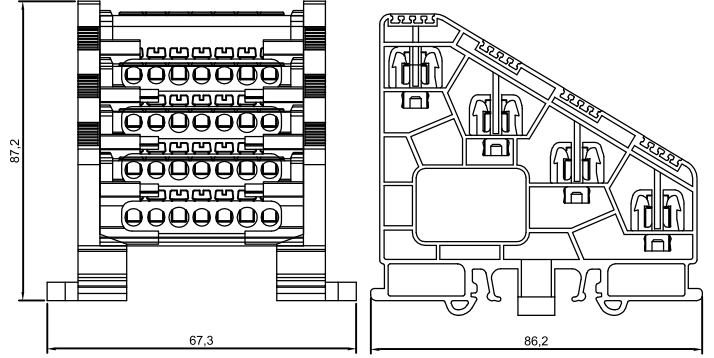


* U_{imp} : Impact strength voltage / Darbe dayanımı gerilimi

MATERIAL / MATERYAL	
Foot / Ayak (2 Pcs.)	PA 6.6 V2
Screw / Vida (21-66 Pcs.)	Steel / Çelik
Earth / Topraklama (4 Pcs.)	Brass / Pirinç
Cover / Kapak 4 Pcs.)	Polycarbonat
Fixing Screw / Sabitleme Vidası (8 Pcs.)	Steel / Çelik
Max. section 50 mm ² for single core cable / Tek damar kablolar için Max. section 50 mm ² for multi core cable / Çok telli kablolar için	

CODE KOD	DESCRIPTIONS ÖZELLİKLER	Current Akım (A)	Voltage Voltaj (V)	U_{imp} (V)	L (mm)	F (mm)	C (mm)	Pcs. Ad.
2116	2 / 5 - 7 Holes	250	750	4000	124,5	130	68	1
2117	2 / 8 - 10 Holes	250	750	4000	162	130	68	1
2118	2 / 10 - 12 Holes	250	750	4000	186,5	130	68	1
2119	2 / 13 - 15 Holes	250	750	4000	224,5	130	68	1
2120	2 / 20 - 22 Holes	250	750	4000	312	130	68	1

FOUR POLES DISTRIBUTION UNITS 6,5 x 9 mm - WITH COVER (HIGH TYPE) DÖRT KUTUPLU DAĞITICI ÜNİTELER - KAPAKLI (YÜKSEK TİP)

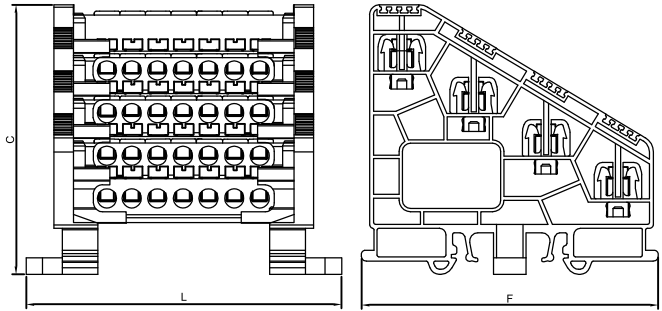
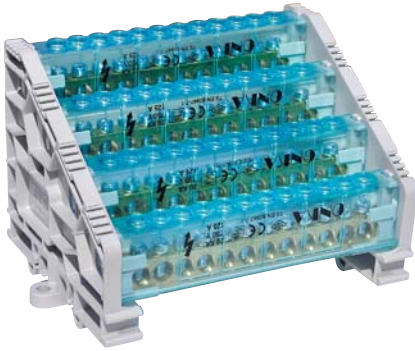


* U_{imp} : Impact strength voltage / Darbe dayanımı gerilimi

MATERIAL / MATERYAL	
Foot / Ayak (2 Pcs.)	PA 6.6 V2
Screw / Vida (28- 88 Pcs.)	Steel / Çelik
Earth / Topraklama (4 Pcs.)	Brass / Pirinç
Cover / Kapak 4 Pcs.)	Polycarbonat
Max. section 16 mm ² for single core cable / Tek damar kablolar için Max. section 10 mm ² for multi core cable / Çok telli kablolar için	

CODE KOD	DESCRIPTIONS ÖZELLİKLER	Current Akım (A)	Voltage Voltaj (V)	U_{imp} (V)	L (mm)	F (mm)	C (mm)	Pcs. Ad.
2101	2 / 5 - 7 Holes	80	400	4000	67,3	86,2	87,2	1
2102	2 / 8 - 10 Holes	80	400	4000	86,2	86,2	87,2	1
2103	2 / 10 - 12 Holes	80	400	4000	98,5	86,2	87,2	1
2104	2 / 13 - 15 Holes	80	400	4000	117,4	86,2	87,2	1
2105	2 / 20 - 22 Holes	80	400	4000	161,1	86,2	87,2	1

FOUR POLES DISTRIBUTION UNITS 7 x 12 mm - WITH COVER (HIGH TYPE) DÖRT KUTUPLU DAĞITICI ÜNİTELER - KAPAKLI (YÜKSEK TİP)

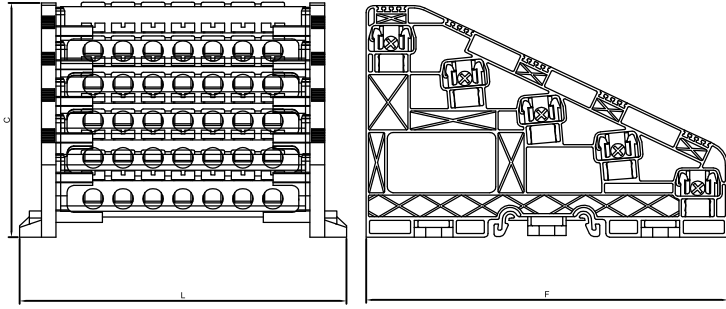
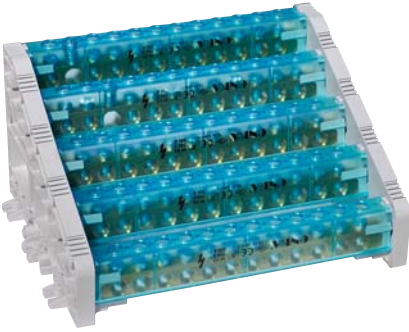


* U_{imp} : Impact strength voltage / Darbe dayanımı gerilimi

MATERIAL / MATERYAL	
Foot / Ayak (2 Pcs.)	PA 6.6 V2
Screw / Vida (28- 88 Pcs.)	Steel / Çelik
Earth / Topraklama (4 Pcs.)	Brass / Pirinç
Cover / Kapak 4 Pcs.)	Polycarbonat
Max. section 25 mm ² for single core cable / Tek damar kablolar için Max. section 25 mm ² for multi core cable / Çok telli kablolar için	

CODE KOD	DESCRIPTIONS ÖZELLİKLER	Current Akım (A)	Voltage Voltaj (V)	U_{imp} (V)	L (mm)	F (mm)	C (mm)	Pcs. Ad.
2111	2 / 5 - 7 Holes	160	750	4000	78,5	86,2	82,3	1
2112	2 / 8 - 10 Holes	160	750	4000	102,5	86,2	82,3	1
2113	2 / 10 - 12 Holes	160	750	4000	118	86,2	82,3	1
2114	2 / 13 - 15 Holes	160	750	4000	141	86,2	82,3	1
2115	2 / 20 - 22 Holes	160	750	4000	196	86,2	82,3	1

FIVE POLES DISTRIBUTION UNITS 10 x 15 mm - WITH COVER (LOW TYPE) BEŞ KUTUPLU DAĞITICI ÜNİTELER - KAPAKLI (ALÇAK TİP)

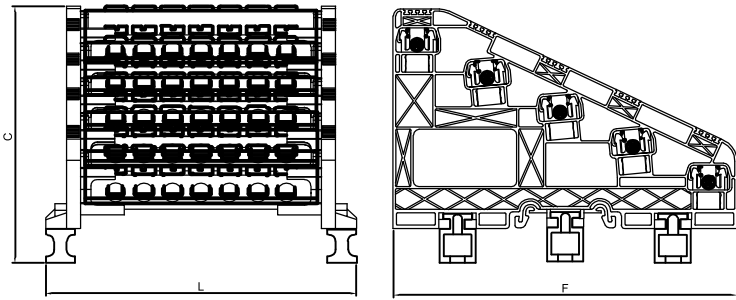
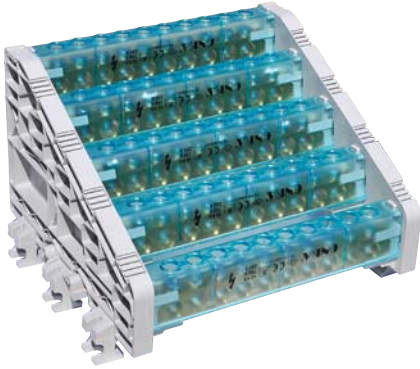


* U_{imp} : Impact strength voltage / Darbe dayanımı gerilimi

MATERIAL / MATERYAL	
Foot / Ayak (2 Pcs.)	PA 6.6 V2
Screw / Vida (35- 110Pcs.)	Steel / Çelik
Earth / Topraklama (5 Pcs.)	Brass / Pirinç
Cover / Kapak 5 Pcs.)	Polycarbonat
Fixing Screw / Sabitleme Vidası (10 Pcs.)	Steel / Çelik
Max. section 50 mm ² for single core cable / Tek damar kablolar için Max. section 50 mm ² for multi core cable / Çok telli kablolar için	

CODE KOD	DESCRIPTIONS ÖZELLİKLER	Current Akım (A)	Voltage Voltaj (V)	U_{imp} (V)	L (mm)	F (mm)	C (mm)	Pcs. Ad.
2191	2 / 5 - 7 Holes	250	750	4000	124,5	149,5	96	1
2192	2 / 8 - 10 Holes	250	750	4000	162	149,5	96	1
2193	2 / 10 - 12 Holes	250	750	4000	186,5	149,5	96	1
2194	2 / 13 - 15 Holes	250	750	4000	224,5	149,5	96	1
2195	2 / 20 - 22 Holes	250	750	4000	312	149,5	96	1

FIVE POLES DISTRIBUTION UNITS 10 x 15 mm - WITH COVER (HIGH TYPE) BEŞ KUTUPLU DAĞITICI ÜNİTELER - KAPAKLI (YÜKSEK TİP)

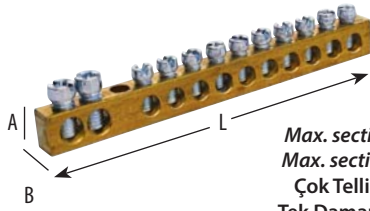


* U_{imp} : Impact strength voltage / Darbe dayanımı gerilimi

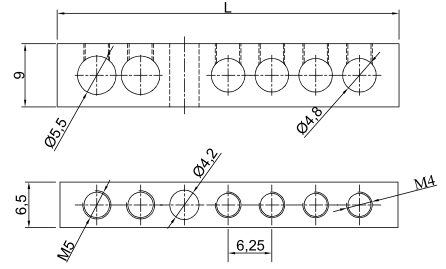
MATERIAL / MATERYAL	
Foot / Ayak (2 Pcs.)	PA 6.6 V2
Screw / Vida (35- 110Pcs.)	Steel / Çelik
Earth / Topraklama (5 Pcs.)	Brass / Pirinç
Cover / Kapak 5 Pcs.)	Polycarbonat
Fixing Screw / Sabitleme Vidası (10 Pcs.)	Steel / Çelik
Max. section 50 mm ² for single core cable / Tek damar kablolar için Max. section 50 mm ² for multi core cable / Çok telli kablolar için	

CODE KOD	DESCRIPTIONS ÖZELLİKLER	Current Akım (A)	Voltage Voltaj (V)	U_{imp} (V)	L (mm)	F (mm)	C (mm)	Pcs. Ad.
2216	2 / 5 - 7 Holes	250	750	4000	124,5	149,5	111	1
2217	2 / 8 - 10 Holes	250	750	4000	162	149,5	111	1
2218	2 / 10 - 12 Holes	250	750	4000	186,5	149,5	111	1
2219	2 / 13 - 15 Holes	250	750	4000	224,5	149,5	111	1
2220	2 / 20 - 22 Holes	250	750	4000	312	149,5	111	1

PANO TOPRAKLAMA KLEMENSLERİ (6.5 x 9 mm² KESİTİ) 80 AMPER SLOTTED GROUNDED PANEL TERMINAL CONNECTORS 80 A (6.5 x 9 mm²)

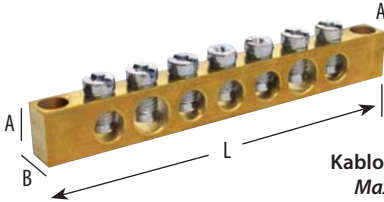


Max. section 10 mm² multi core cable
Max. section 16 mm² single core cable
Çok Telli Kablo kesiti max. 10 mm²
Tek Damarlı Kablo kesiti max. 16 mm²

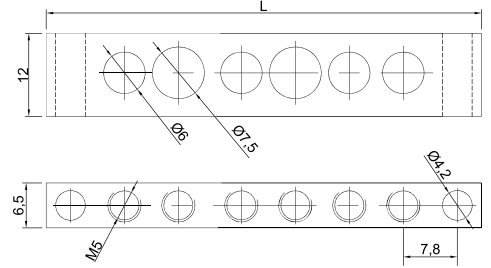


CODE / KOD	DESCRIPTIONS / ÖZELLİKLER	A	B	L	Pcs. Box K. Ad.
ONKA - 2001	2/3 = 5 Holes / Delikli	9	6,5	42	50
ONKA - 2002	2/5 = 7 Holes / Delikli	9	6,5	54	50
ONKA - 2003	2/8 = 10 Holes / Delikli	9	6,5	73	50
ONKA - 2004	2/10 = 12 Holes / Delikli	9	6,5	86	50
ONKA - 2005	2/13 = 15 Holes / Delikli	9	6,5	105	50
ONKA - 2006	2/20 = 22 Holes / Delikli	9	6,5	148	50
ONKA - 2007	2/40 = 42 Holes / Delikli	9	6,5	285	50
ONKA - 2008	2/60 = 62 Holes / Delikli	9	6,5	410	50
ONKA - 2009	2/80 = 82 Holes / Delikli	9	6,5	535	50

PANO TOPRAKLAMA KLEMENSLERİ (7 x 12 mm² KESİTİ) 160 AMPER SLOTTED GROUNDED PANEL TERMINAL CONNECTORS 160 A (7 x 12 mm²)

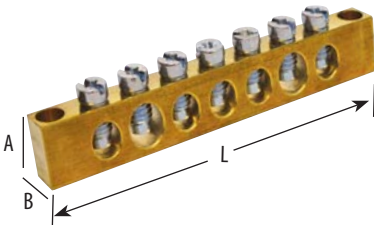


Kablo kesiti max. 25 mm²
Max. section 25 mm²
single / multi core cable

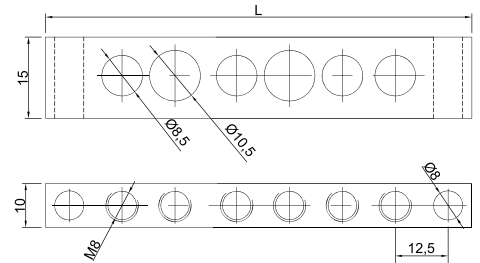


CODE / KOD	DESCRIPTIONS / ÖZELLİKLER	A	B	L	Pcs. Box K. Ad.
ONKA - 2021	2/5 = 7 Holes / Delikli	12	7	69	50
ONKA - 2022	2/8 = 10 Holes / Delikli	12	7	93	50
ONKA - 2023	2/10 = 12 Holes / Delikli	12	7	119	50
ONKA - 2024	2/13 = 15 Holes / Delikli	12	7	133	50
ONKA - 2025	2/20 = 22 Holes / Delikli	12	7	188	50

PANO TOPRAKLAMA KLEMENSLERİ (10 x 15 mm² KESİTİ) 250 AMPER SLOTTED GROUNDED PANEL TERMINAL CONNECTORS 250 A (10 x 15 mm²)

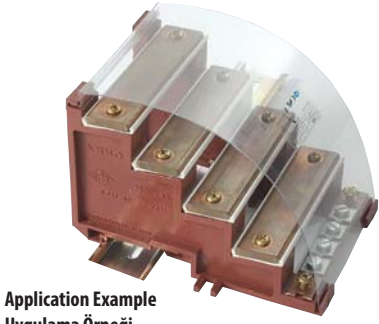


Kablo kesiti max. 50 mm²
Max. section 50 mm²
single / multi core cable



CODE / KOD	DESCRIPTIONS / ÖZELLİKLER	A	B	L	Pcs. Box K. Ad.
ONKA - 2041	2/5 = 7 Holes / Delikli	15	10	124	50
ONKA - 2042	2/8 = 10 Holes / Delikli	15	10	149	50
ONKA - 2043	2/10 = 12 Holes / Delikli	15	10	173	50
ONKA - 2044	2/13 = 15 Holes / Delikli	15	10	211	50
ONKA - 2045	2/20 = 22 Holes / Delikli	15	10	308	50

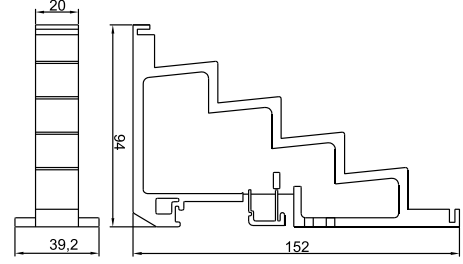
5 POLE DISTRIBUTION UNIT & ACCESSORIES 5 KADEMELİ 30 x 5 mm BAKIR BARA DAĞITICI ÜNİTELER VE AKSESUARI



Application Example
Uygulama Örneği



Order No: 2131



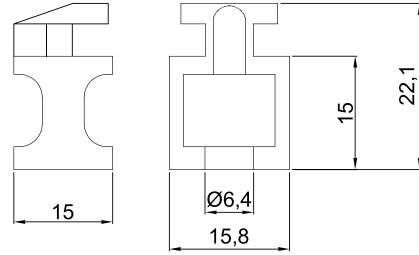
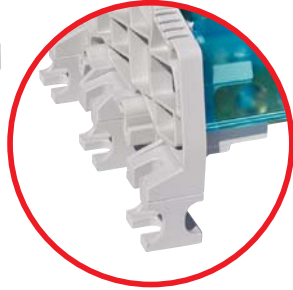
Order No: 2132

Order No: 2133



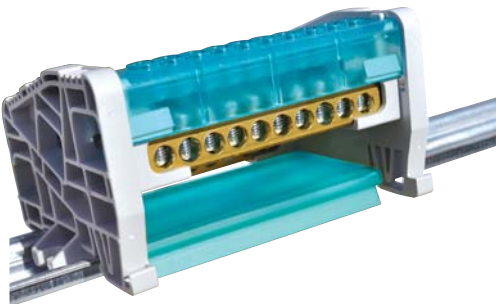
CODE KOD	DESCRIPTION ÖZELLİK	Pcs.Box. K. Ad.
ONKA-2131	30 x 5 Base 5 Katlı Dağıtıcı Ünite (Max. 30x5) Yatak	10
ONKA-2132	Insulation Separator 30 mm. İzolasyon Separatörü 30'luk	1 mt.
ONKA-2133	Insulation Cover Üst İzolasyon Kapak	1

ASCENDER PART FOR DISTRIBUTION UNITS DAĞITICI ÜNİTE YÜKSELTİCİ AYAKLARI

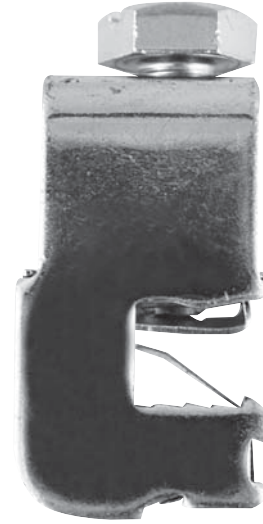
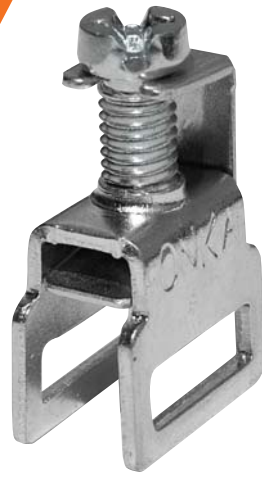
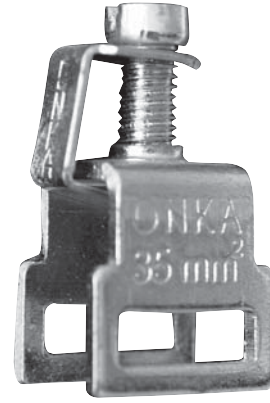


CODE KOD	DESCRIPTION ÖZELLİK	Pcs.Box. K. Ad.
ONKA-2134	Ascender part for 1-3-5 Pole Distribution Units 1 - 3 - 5'li Dağıtıcı Üniteler için Yükseltme Ayakları	100

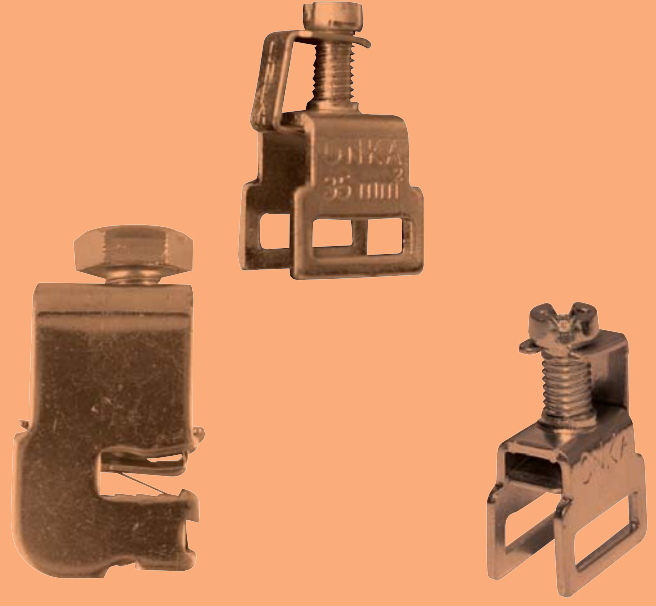
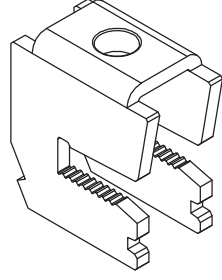
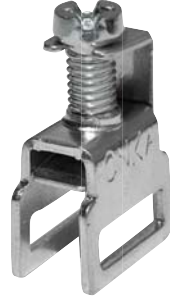
DISTRIBUTION UNIT ISOLATION APPARATUS DAĞITICI ÜNİTE ALT İZOLASYON APARATI



CODE KOD	DESCRIPTION ÖZELLİK	Pcs.Box. K. Ad.
ONKA-2137	35 mm. Cover Apparatus (1m) 35 mm örtme aparatı (1 m)	10



SHIELD TERMINALS BARA KLEMENSLERİ



CONNECTIONS TERMINALS FOR Cu

Technical Features:

- Produced from material DKP.
- Coating thickness is covered with 6 micron zinc.
- Stainless steel is used on the product to prevent cable cutting during tightening.
- Has 2 separate jaw structures suitable for 5 and 10 mm copper barrels.

BAKIR BARA BAĞLANTI KLEMENSLERİ

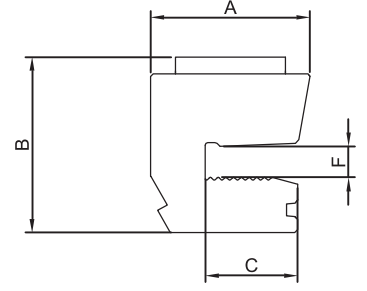
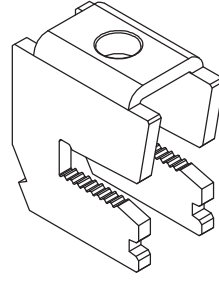
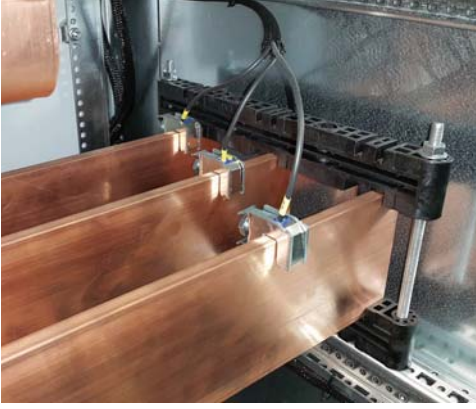
Teknik Özellikler:

- DKP malzemeden üretilmiştir.
- Kaplama kalınlığı 6 mikron olan çinko ile kaplıdır.
- Ürün üzerinde sıkma esnasında kablo kesilmesini önlemek amacı ile paslanmaz çelik palet kullanılmaktadır.
- 5 mm ve 10 mm kalınlığındaki bakır baralara uygun iki ayrı çene yapısına sahiptir.

CONNECTION TERMINALS FOR Cu

BAKIR BARA BAĞLANTI KLEMENSLERİ

CONNECTION TERMINALS FOR Cu - BUSBARS (SPRING) BAKIR BARA BAĞLANTI KLEMENSLERİ (YAY BASKILI)



2140



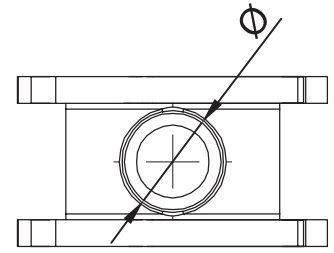
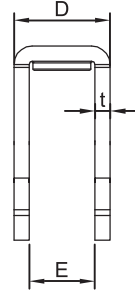
2142



2144



2146



2141



2143



2145



2147

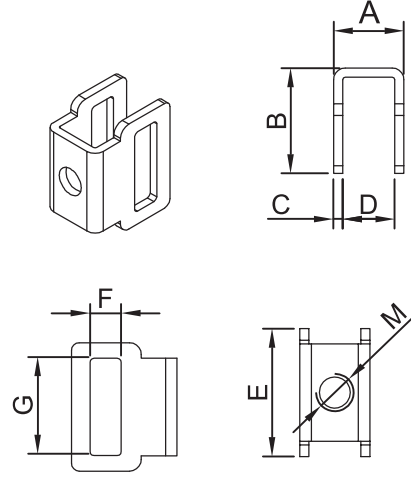
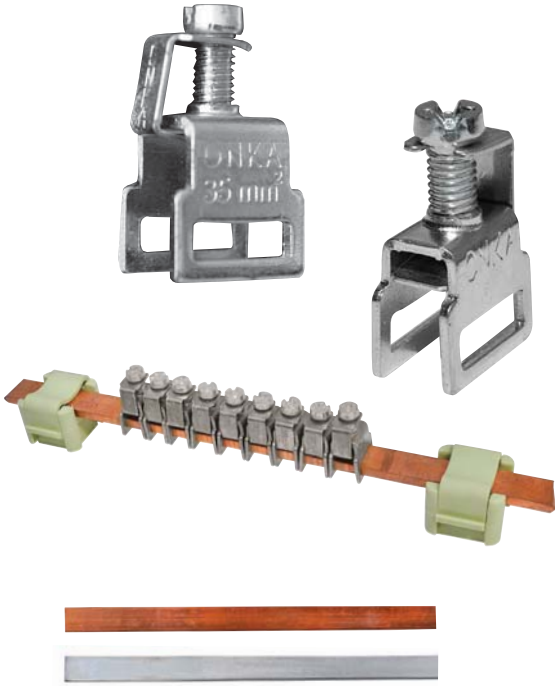


MATERIAL / MATERYAL

Body / Gövde	DKP
Screw/Vida	Steel / Çelik
Spring / Yay	DKP
Fixing spring / Sabitleme yayı	Stainless Steel / Paslanmaz Çelik

CODE KOD	DESCRIPTIONS ÖZELLİKLER	Current Akım (A)	Voltage Voltaj (V)	A (mm)	B (mm)	C (mm)	D (mm)	E (mm)	F (mm)	t (mm)	Ø	Connecting Screw/ Bağlantı Vidası	Pcs. Box / Kutu Ad.
2140	SK16 F5, 1,5 - 16 mm ²	180	690	22,70	26,50	14	12	8	5,70	2	M5	PZ2	100
2141	SK16 F10, 1,5 - 16 mm ²	180	690	22,70	26,50	14	12	8	10,80	2	M5	PZ2	100
2142	SK35 F5, 1,5 - 35 mm ²	270	690	29	31	17	16	11	5,70	2,50	M8	SW13/PZ3	50
2143	SK35 F10, 1,5 - 35 mm ²	270	690	29	35,50	17	16	11	10,80	2,50	M8	SW13/PZ3	50
2144	SK70 F5, 16 - 70 mm ²	400	690	28	39	15,30	20,60	14,50	5,70	3	M8	SW13/PZ3	25
2145	SK70 F10, 16 - 70 mm ²	400	690	28	46	15,30	20,60	14,50	10,80	3	M8	SW13/PZ3	25
2146	SK120 F5, 16 - 120 mm ²	440	690	29	45,80	15,30	23,50	17,30	5,70	3	M10	SW17/PZ4	25
2147	SK120 F10, 16 - 120 mm ²	440	690	29	49,60	15,30	23,50	17,30	10,80	3	M10	SW17/PZ4	25

TELESCOPIC CONNECTION TERMINAL FOR Cu BUSBARS (WITH PALLET) GEÇMELİ BAKIR BARA BAĞLANTI KLEMENSLERİ (PALETLİ SİSTEM)

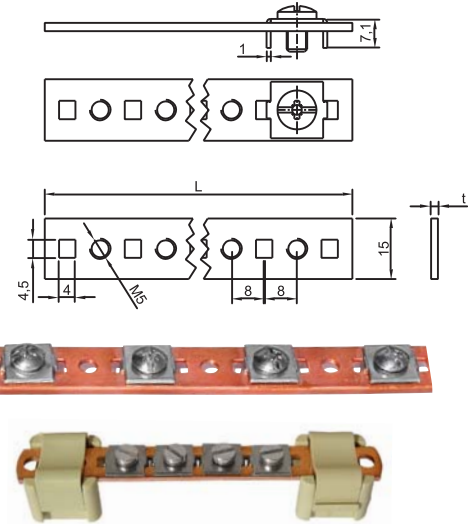


MATERIAL / MATERYAL

Square/ Gövde	CK45 Steel / Çelik
Screw/ Vida	Steel / Çelik
Spring / Yay	DKP

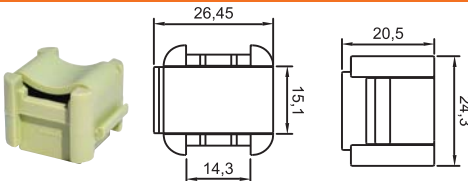
CODE KOD	DESCRIPTIONS ÖZELLİKLER	Current Akım (A)	Voltage Voltaj (V)	A (mm)	B (mm)	C (mm)	D (mm)	E (mm)	F (mm)	G (mm)	Ø	Pcs. Box / Kutu Ad.
2160	SK12 F3, 16 mm ²	80	690	9,5	15,1	1,3	6,9	16,5	3,9	12,5	M5	25
2161	SK12 F3, 35 mm ²	100	690	12,5	17,7	1,5	9,5	16,5	3,9	12,5	M5	25
2162	12 x 3 mm Electrolytic Cu Bar 1 Mt.											1 mt.

NEUTRAL GRAUNDED BUSBAR (SCREW-ON / FLAT COPPER) VİDALI TOPRAKLAMA BARALARI (NÖTR)



CODE KOD	DESCRIPTIONS ÖZELLİKLER		Current Akım (A)	t (mm)	L (mm)	Pcs. Box / Kutu Ad.
	Screws / Vida	Dia. / Kalınlık				
3075	31	1.5 x 15 mm	100	1,50	500	25
3076	62	1.5 x 15 mm	100	1,50	1000	25
3080	31	2 x 15 mm	125	2	500	25
3087	62	2 x 15 mm	125	2	1000	25
3088	31	3 x 15 mm	150	3	500	25
3086	62	3 x 15 mm	150	3	1000	25

NEUTRAL GRAUNDED BUSBAR SUPPORT (SCREW-ON / FLAT COPPER) VİDALI TOPRAKLAMA BARA MESNEDİ



CODE KOD	DESCRIPTIONS ÖZELLİKLER	Pcs. Box / Kutu Ad.
3091	Busbar Support / Kumanda Bara Mesnedi	150



W AUTOMAT BUSBARS W OTOMAT BARALARI



W AUTOMAT BUSBARS

Technical Features:

- The conductor is 100% copper.
- Isolation section is high impact resistant hard PVC material
- UL94V0 flammability standard.
- Insulation support on the connection surface.
- Insulation support with detachable side cover.
- Production in metered lengths, gives the possibility to use it according to the number of desired modules.



W OTOMAT BARALARI

Teknik Özellikler:

- İletken %100 bakır.
- İzolasyon bölümü yüksek darbeye dayanıklı sert PVC malzeme.
- UL94V0 yanmazlık standardı.
- Bağlantı yüzeyinde temas engelleyici yalıtım desteği.
- Sökülebilir yan kapak ile yalıtım desteği.
- Metrelik boylar halinde üretim sayesinde, istenilen modül sayısına göre kesilerek kullanabilme imkanı.

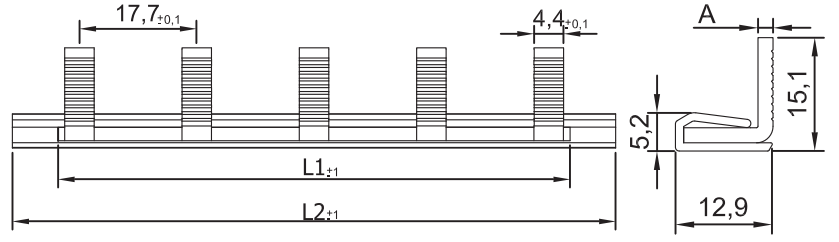
W AUTOMAT BUSBARS

W OTOMAT BARALARI

MONOPHASE W AUTOMAT BUSBARS MONOFAZE W OTOMAT BARALARI



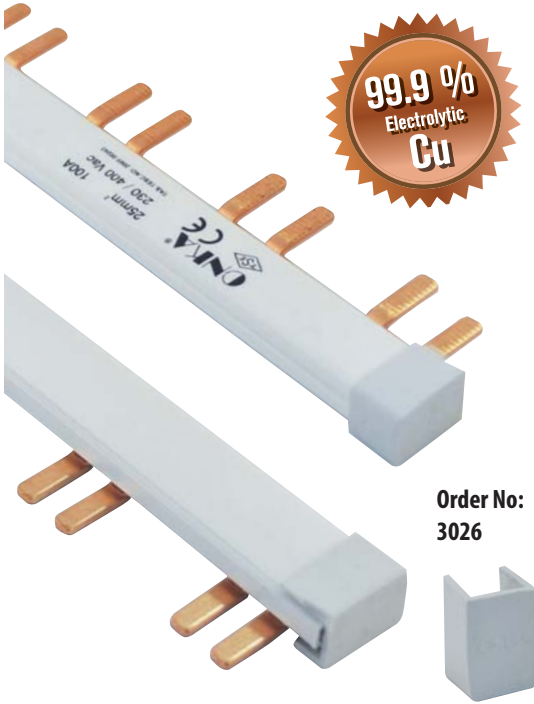
Order No:
3000



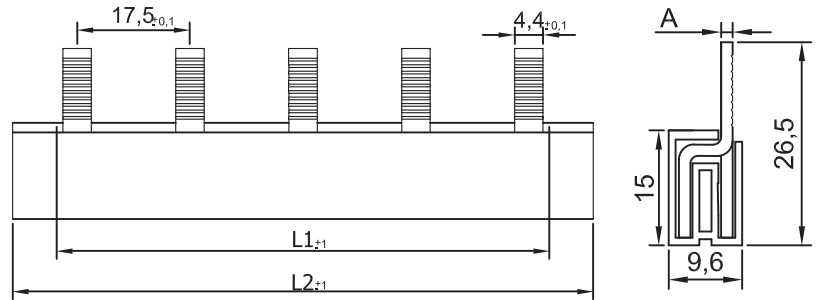
MATERIAL / MATERYAL	
Material / Malzeme	Elecolitic Copper / Bakır
Isolation / İzolasyon	PVC
Conductivity Coefficient / İletkenlik Katsayısı	56ms/m
Phase / Faz	Monophase / Monofaze

1 mm (A) 80 A	1,5 mm (A) 100 A	2 mm (A) 125 A	MODUL	L1 (mm)	L2 (mm)	Pcs. / Ad.
3006	3001	3011	12	199	219	50
3007	3002	3012	18	304	324	50
3008	3003	3013	24	409	429	50
3009	3004	3014	30	534	554	50
3010	3005	3015	56	970	990	50
Code / Kod : 3000			End Plate / Yan Kapak		100	

2 PHASE W AUTOMAT BUSBARS 2 FAZ W OTOMAT BARALARI



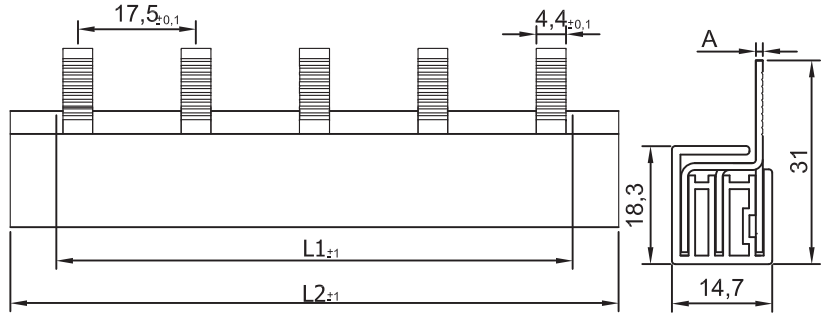
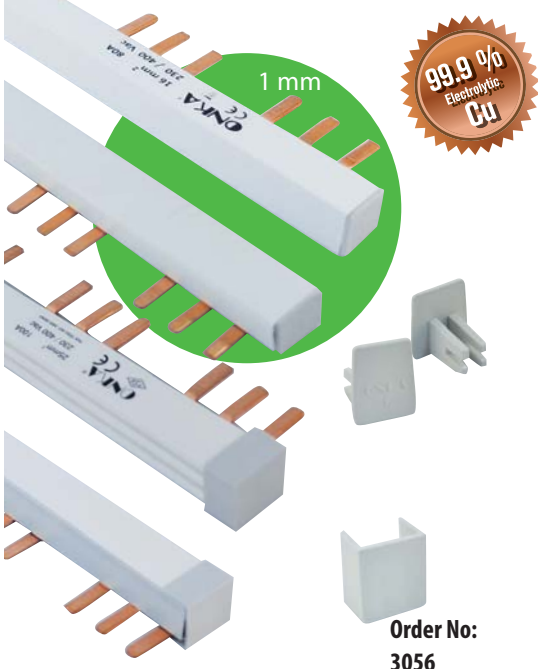
Order No:
3026



MATERIAL / MATERYAL	
Material / Malzeme	Elecolitic Copper / Bakır
Isolation / İzolasyon	PVC
Conductivity Coefficient / İletkenlik Katsayısı	56ms/m
Phase / Faz	2

1 mm (A) 80 A	1,5 mm (A) 100 A	MODUL	L1 (mm)	L2 (mm)	Pcs. / Ad.
3021	3031	6	199	219	30
3022	3032	9	304	324	30
3023	3033	12	409	429	30
3024	3034	15	534	554	30
3025	3035	28	970	990	30
Code / Kod : 3026			End Plate / Yan Kapak		100

3 PHASE W AUTOMAT BUSBARS 3 FAZ W OTOMAT BARALARI

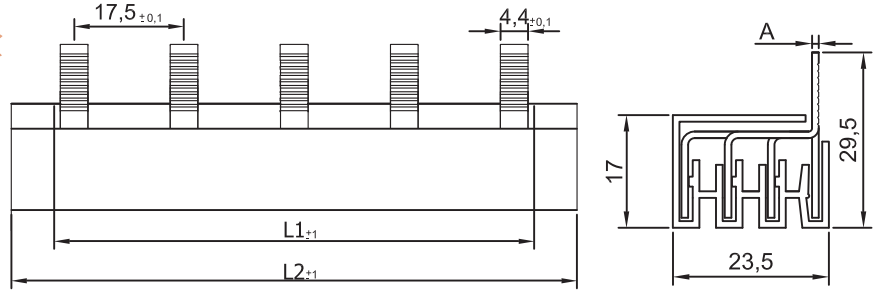
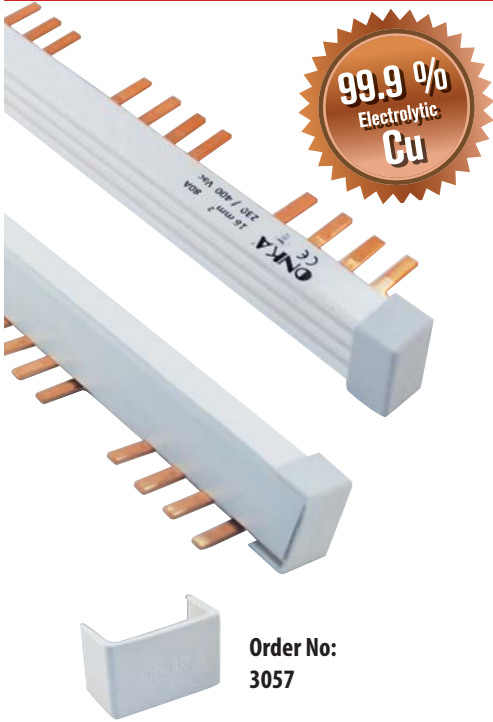


1 mm (A) 80 A	1,5 mm (A) 100 A	2 mm (A) 125 A	MODUL	L1 (mm)	L2 (mm)	Pcs. / Ad.
3041	3051	3066	4	199	219	30
3042	3052	3067	6	304	324	30
3043	3053	3068	8	409	429	30
3044	3054	3069	10	534	554	30
3045	3055	3070	20	1040	1060	25
Code / Kod : 3056			End Plate / Yan Kapak		100	

MATERIAL / MATERYAL

Material / Malzeme	Elecloritic Copper / Bakır
Isolation / İzolasyon	PVC
Conductivity Coefficient / İletkenlik Katsayısı	56ms/m
Phase / Faz	3

3 PHASE + NOTR W AUTOMAT BUSBARS 3 FAZ + NOTR W OTOMAT BARALARI

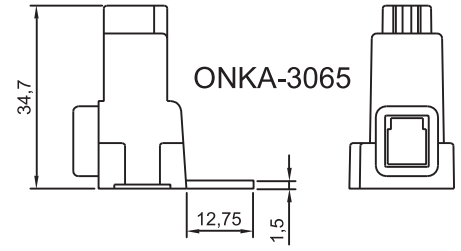
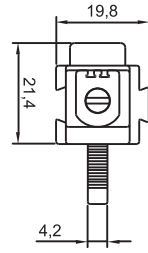
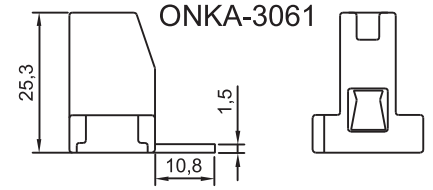
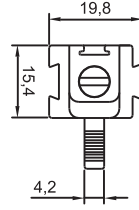
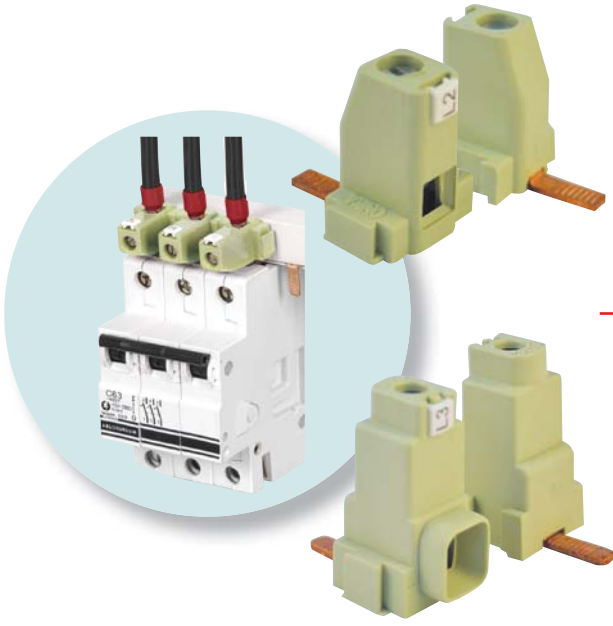


1,5 mm (A) 100 A	MODUL	L1 (mm)	L2 (mm)	Pcs. / Ad.
3058	4	286	306	16
3059	8	550	570	16
3060	14	970	990	16
Code / Kod : 3057		End Plate / Yan Kapak		100

MATERIAL / MATERYAL

Material / Malzeme	Elecloritic Copper / Bakır
Isolation / İzolasyon	PVC
Conductivity Coefficient / İletkenlik Katsayısı	56ms/m
Phase / Faz	3 + 1 NOTR

MODULAR POWER CONNECTORS MODÜLER GÜÇ KLEMENSLERİ



MATERIAL / MATERYAL

Cover / Kapak	PA6.6 V2
Pin	Copper / Bakır
Contact / Kontak	CK45 Steel / Çelik
Screw / Vida	Steel / Çelik
Temp./ Sıcaklık	-40 °C, +140 °C
Cable Strip L. / Soyma Boyu	10 mm
Torque / Tork	3061 /0,8 Nm - 3065/2,0 Nm

ACCESSORIES / AKSESUARLAR

Marking / Markalama	9540 / 9541
---------------------	-------------

CODE KOD	DESCRIPTIONS ÖZELLİKLER	Current Akım (A)	Voltage Voltaj (V)	Pcs. Box / Kutu Ad.
3061	No.1 (2.5 -10 mm ²)	57	750	150
3065	No.2 (16 - 25 mm ²)	100	750	100

MODULAR POWER CONNECTORS MODÜLER GÜÇ KLEMENSLERİ



CODE KOD	DESCRIPTIONS ÖZELLİKLER	Current Akım (A)	Voltage Voltaj (V)	Pin Size Pin Ölçüsü (mm)	Pcs. Box / Kutu Ad.
802/115 S	No.2 (6 - 25 mm ²)	80	690AC 1000 VDC	4,3x15	30
802/215 S	No.3 (6 - 50 mm ²)	125	690AC 1000 VDC	4x15	25



STEATITE TERMINALS STEATİT KLEMENSLER



STEATİT KLEMENSLERİN ÜSTÜNLÜKLERİ

Steatit; elektroteknikte yalıtkan parçaların üretiminde kullanılan, klasik elektroporselene nazaran çok daha yüksek elektriksel ve mekanik dayanıma sahip bir malzeme olarak tanımlanabilir.

Elektrik enerjisi tüketiminin içerisinde bulunduğumuz yüzyılda hızla artış göstermesi, üretim, iletim ve kullanım safhalarında seramik izolasyon malzemelerine olan talebi de hızla arttırmıştır. Hidro-elektrik, termik, nükleer enerji v.b. gibi santrallerin dağıtım ve iletim ünitelerinde yüksek güçleri taşıyabilecek seramik izolatörlerin yanında, yüksek izolasyon sağlayabilen seramik aksam ve parçaların özelliklerinin iyileştirilmesi ihtiyacı ön plana çıkmıştır.

Elektroporselenin bu noktadan itibaren ihtiyaçlara cevap veremediği görülmüş ve 1930 'lardan itibaren elektrik izolatörlerinde porcelen yerine steatit kullanımı yaygınlaşmaya başlamıştır.

STEATİT KLEMENSİN PORSELEN KLEMENSE GÖRE ÜSTÜNLÜKLERİ

ONKA Steatit klemensleri kontak malzemesi özel alaşımli çeliktir ve ısıl çalışma sıcaklığı 1100°C 'ye ulaşmaktadır. Bu da ONKA steatit klemensin çalışma sıcaklığını otomatik olarak 1100°C'ye taşımaktadır. (Piyasadaki elektroporselen klemenslerin kontakları 350 °C'ye kadar ısıya dayanıklı olduğundan daha yüksek ısı dayanımı gerekli yerlerde kullanımı sakıncalıdır.)

Steatit; elektroporselene göre ;

- Daha yüksek mekanik dayanıma,
- Daha yüksek boyutsal kararlılık,
- Daha yüksek sıcaklık dayanımına (1100°C),
- Daha yüksek asit dayanımına,
- Daha uzun kullanım ömrüne,
- Daha yalıtkan bir yüzeye sahip ve yüzeyel elektrik kaçağı sıfır olan, çok üstün bir malzemedir.

ADVANTAGES OF TERMINALS ONKA STEATITE

Steatit; Used in electrotechnical production of insulating parts, Much higher electrical power than conventional electroporation and can be defined as a material with mechanical strength.

In the century of electricity consumption. Rapid increase in production, transmission and use of ceramic. The demand for insulation materials has also increased rapidly. Ceramic components and parts that can provide high insulation needs to be improved.

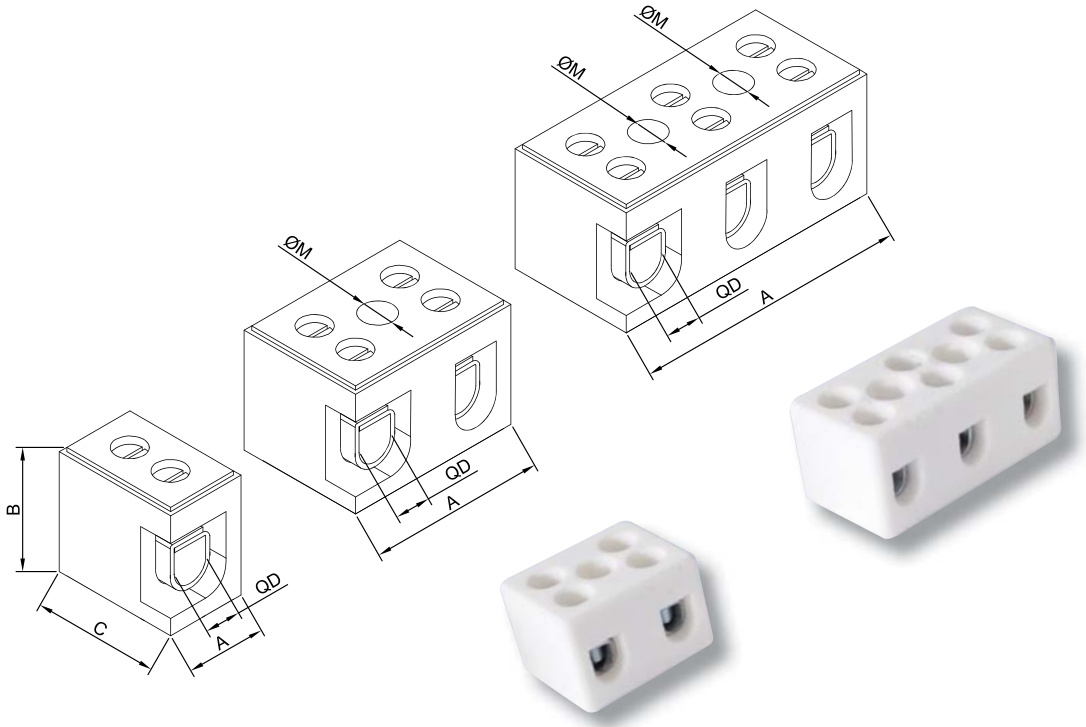
Electroporselen can not respond to needs from this point. And from the 1930's on porcelain insulators Steatit use has begun to replace it.

ADVANTAGES OF TERMINALS ONKA STEATITE COMPARING TO PORCELAIN

Steatite terminals contact material is special alloy steel and thermal operating temperature 1100 °C 'reaches up. It also carries ONKA steatite terminal block on 1100 °C 'n operating temperature automatically.

Advantages in comparison to ceramics:

- Higher mechanical strength,
- Higher dimensional stability,
- Higher temperature resistance (1100 °C)
- Higher acid resistance,
- Longer lifespan,
- It has an insulating surface and surface electrical leakage is zero, this material is more efficient



1100 °C

MATERIAL / MATERYAL

Isolation Material / İzolasyon Malzemesi	Steatite
Contact / Kontak	CK45 Steel / Çelik
Work Temperature / Çalışma Sıcaklığı	Max. 1100 °C
Connection Type / Bağlantı Tipi	Screw / Vidalı (Steel / Çelik)
Norm	EN-60998-2-1

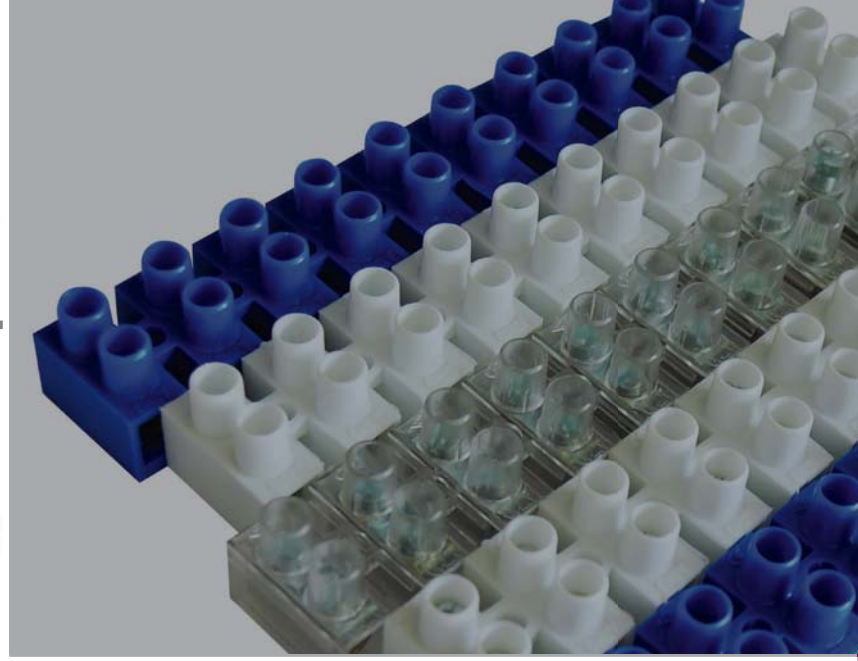
* U_{imp} : Impact strength voltage / Darbe dayanımı gerilimi

DESCRIPTIONS / ÖZELLİKLER

CODE KOD	Name İsim	Pole Göz	Torque Tork (Nm)	Cable Strip L. / Kablo Soyma (mm)	Section Kesit (mm ²)	Current Akım (A)	Voltage Voltaj (V)	U_{imp} (V)	A (mm)	B (mm)	C (mm)	D Ø (mm)	M Ø (mm)	Pcs./ Ad.
5081	No. 0/2	2	0,4	6,0	1,5	17,5	750	5500	23,0	16,1	18,5	3,5	4,3	150
5082	No. 1/2	2	0,5	6,0	4,0	32,0	750	5500	22,5	17,5	19,0	3,5	4,3	150
5083	No. 1/3	3	0,5	6,0	4,0	32,0	750	5500	35,9	17,5	19,0	3,5	4,3	100
5084	No. 2/2	2	0,8	9,0	6,0	41,0	750	5500	26,9	18,8	23,7	4,3	4,3	100
5085	No. 2/3	3	0,8	9,0	6,0	41,0	750	5500	40,6	18,8	23,7	4,3	4,3	50
5086	No. 3/2	2	1,2	9,0	10,0	57,0	1000	5500	33,8	24,0	29,5	5,4	5,2	50
5087	No. 3/3	3	1,2	9,0	10,0	57,0	1000	5500	51,4	24,0	29,5	5,4	5,2	35
5088	No. 0/1	1	0,4	6,0	1,5	17,5	750	5500	10,8	16,1	18,5	3,5	-	400
5089	No. 1/1	1	0,5	6,0	4,0	32,0	750	5500	11,5	17,5	19,0	3,5	-	350
5090	No. 2/1	1	0,8	8,0	6,0	41,0	750	5500	12,1	18,8	23,7	4,3	-	200
5091	No. 3/1	1	1,2	9,0	10,0	57,0	1000	5500	17,1	24,5	29,5	5,4	-	100
5093	No. 4/3	3	2,0	10,0	16,0	76,0	1000	5500	64,2	29,5	29,5	8,3	5,2	20
5094	No. 5/3	3	2,5	11,0	25,0	101,0	1000	5500	41,5	29,5	29,5	8,3	5,2	20
5095	No. 5/2	2	2,5	11,0	25,0	101,0	1000	5500	64,2	29,5	29,5	8,3	5,2	20



TERMINAL STRIPS SIRA KLEMENSLER



SIRA KLEMENSLER

Ürünlerin kontak yapısı, özel alaşımli Ck 45 malzemeden özel üretim teknolojisi ile insan odaklı üretim hatalarından etkilenmeyen otomasyon sistemleri ile üretilmektedir. Titreşimli ortamlarda kontra yapısı sayesinde gevşemeyi engelleyen bir tasarıma sahiptir. Atmosferik ortamlardan arındırılmış özel dizayn kapalı fırınlarda 36.6 HRC sertliğe kadar sertleştirilmesi sayesinde ürünün defalarca iletken bağlanıp sökülmesinden kaynaklı deformasyonlara karşı yüksek derecede dayanıklılık sağlanmıştır.

Ürün plastik yapısı 140 C derece ısısal dayanıma sahip olan Poli amid 6.6 malzemeden üretilmektedir. Üretilen Poli amid 6.6 malzeme sayesinde kopma, eğilme, darbe, aşınma mukavemeti ve çekme, basma elastiklik modülü yüksektir. Tüm bu termal ve mekaniksel üstünlükler ile Poli amid 6.6 dış ortam koşullarına max. dayanıklı bir ürün üretmemizi sağlamaktadır.

Kontak yapısına uygun sertlik değeri ile üretilen çelik vida sayesinde kullanım koşullarında deforme olmayan bir dayanıklılık kombinasyonu oluşturulmuştur.

ONKA Elektrik, ISO 9001-2008 işletim sistemi ile ürettiği ürünlerinde kalitesini uluslararası sertifikalar ile tescillemiştir.

TERMINAL STRIPS

ONKA Electric as we have in our facility equipped with advanced technology, we offer better quality products with terminal strips.

We manufacture our products with specialized production technology and systems, using special alloy materials (CK 45) which are not susceptible to human errors. With its anti-vibration characteristic it is specially designed to prevent loosening in vibration environments. Through hardening processes in a specially designed furnace giving it hardness of 36.6 HRC, and for being connected and removed repeatedly, this product has a very high deformation resistance.

The plastic structure of the product has been made from 140 °C thermal resistance Polyamide 6.6 materials, so it is highly resistant to breakage, bending, impact, abrasion and it also has a high tension and compression elasticity. With all these thermal and mechanical advantages polyamide 6.6 max has made it possible for us to produce a durable product in ambient conditions.

Using a steel screw with hardness proportionate to its contact structure, the product has been given high deformation flexibility in different environments.

ONKA Electric has been manufactured according to ISO 9001-2008 operating system and it has been awarded international quality certificates.

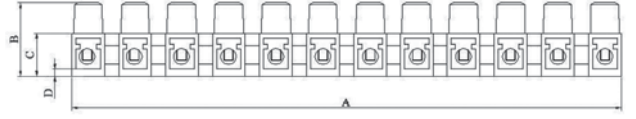


Normal state
Normal hali



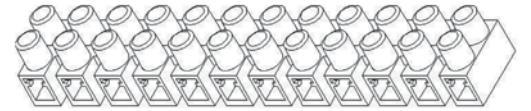
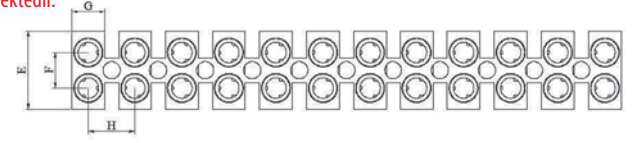
Ignition state
Kontra hali

POLYPROPYLEN PLASTIC TERMINAL STRIPS POLİPROPİLEN PLASTİK SIRA KLEMENSLER



Not: Polipropilen plastik sıra klemenslerin tamamında ortadaki montaj deliği **yuvarlak** olarak üretilmektedir.

Note: The mounting hole in the middle of the ppts is **rounded**.

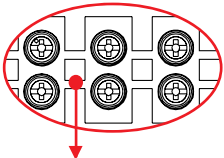


MATERIAL / MATERYAL	
Isolation Material / İzolasyon Malzemesi	PP
Contact / Kontak	CK45 Steel - Çelik
Work Temperature / Çalışma Sıcaklığı	(-20 °C, +85 °C)
Connection Type / Bağlantı Tipi	Screw / Vidalı (Steel - Çelik)
Norm	EN-60998-2-1

DESCRIPTIONS / ÖZELLİKLER

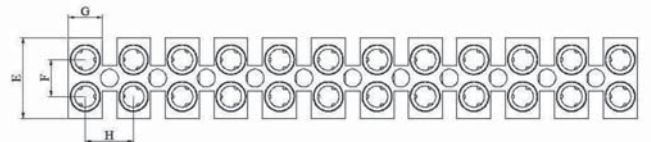
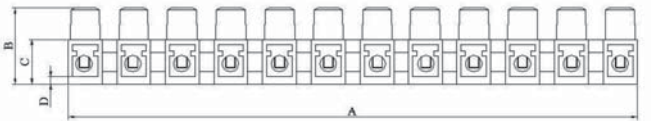
CODE KOD	No.	Pole Göz	Torque Tork (Nm)	C.Strip L./ K.Soyma B. (mm)	Section Kesit (mm ²)	Current Akım (A)	Voltage Voltaj (V)	A (mm)	B (mm)	C (mm)	D (mm)	E (mm)	F (mm)	G (mm)	H (mm)	Pcs./ Ad.
5000	No.0	12	0,4	6,0	0,75 -1,5	17,5	400	91,0	13,9	8,9	2,1	14,9	6,0	5,5	7,9	100
5001	No.1	12	0,5	6,0	2,5 - 4	32,0	400	115,5	16,8	10,0	2,4	19,0	7,5	6,5	10,0	50
5002	No.2	12	0,8	8,0	4 - 6	41,0	400	134,7	18,4	10,5	1,7	20,9	8,8	7,8	11,7	50
5003	No.3	10	1,2	9,0	6 - 10	57,0	400	138,8	21,6	13,6	2,7	22,6	9,4	9,9	14,3	50
5004	No.4	6	2,0	10,0	10 - 16	76,0	500	96,5	25,6	15,6	3,1	29,6	11,7	12,0	17,0	50
5005	No.5	6	2,5	11,0	16 - 25	101,0	500	106,3	27,3	17,5	3,1	30,0	11,6	14,0	18,5	50

POLYAMIDE TERMINAL STRIPS POLİAMİT SIRA KLEMENSLER (OSK)



Not: No.1, No.2 ve No.3 Sıra klemenslerde ortadaki montaj deliği kare olarak üretilmektedir.

Note: For No.1, No.2 and No.3 terminal strips The mounting hole in the center is produced as square.

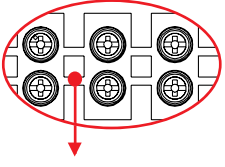


MATERIAL / MATERYAL	
Isolation Material / İzolasyon Malzemesi	PA 6.6 V2
Contact / Kontak	CK45 Steel - Çelik
Connection Type / Bağlantı Tipi	Screw / Vidalı (Steel - Çelik)
Norm	EN-60998-2-1

DESCRIPTIONS / ÖZELLİKLER

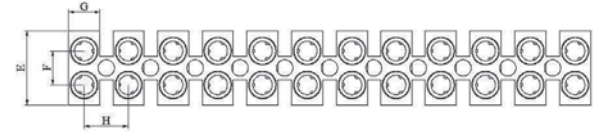
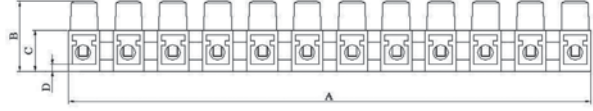
CODE KOD	No.	Pole Göz	Torque Tork (Nm)	C.Strip L./ K.Soyma B. (mm)	Section Kesit (mm ²)	Current Akım (A)	Voltage Voltaj (V)	A (mm)	B (mm)	C (mm)	D (mm)	E (mm)	F (mm)	G (mm)	H (mm)	Pcs./ Ad.
5010	No.0	12	0,4	6,0	0,75 -1,5	17,5	400	91,0	13,9	8,9	2,1	14,9	6,0	5,5	7,9	100
5011	No.1	12	0,5	6,0	2,5 - 4	32,0	400	115,5	16,8	10,0	2,4	19,0	7,5	6,5	10,0	50
5012	No.2	12	0,8	8,0	4 - 6	41,0	400	134,7	18,4	10,5	1,7	20,9	8,8	7,8	11,7	50
5013	No.3	10	1,2	9,0	6 - 10	57,0	400	138,8	21,6	13,6	2,7	22,6	9,4	9,9	14,3	50
5014	No.4	6	2,0	10,0	10 - 16	76,0	500	96,5	25,6	15,6	3,1	29,6	11,7	12,0	17,0	50
5015	No.5	6	2,5	11,0	16 - 25	101,0	500	106,3	27,3	17,5	3,1	30,0	11,6	14,0	18,5	50
5016	No.3	3	1,2	9,0	6 - 10	57,0	400	38,4	21,6	13,6	2,7	22,6	9,4	9,9	12,8	50

POLYCARBON TERMINAL STRIPS POLİKARBON SIRA KLEMENSLER



Not: No.1, No.2 ve No.3 Sıra Klemenslerde ortadaki montaj deliği kare olarak üretilmektedir.

Note: For No.1, No.2 and No.3 terminal strips The mounting hole in the center is produced as square.

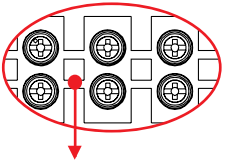


MATERIAL / MATERYAL	
Isolation Material / İzolasyon Malzemesi	Polycarbon / Polikarbon (V2)
Contact / Kontak	CK45 Steel - Çelik
Work Temperature / Çalışma Sıcaklığı	(-40 °C, +140 °C)
Connection Type / Bağlantı Tipi	Screw / Vidalı (Steel - Çelik)
Norm	EN-60998-2-1

DESCRIPTIONS / ÖZELLİKLER

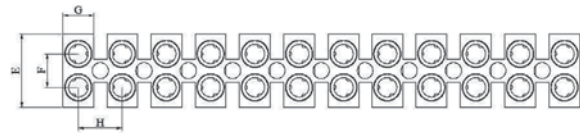
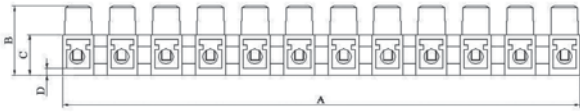
CODE KOD	No.	Pole Göz	Torque Tork (Nm)	C.Strip L./ K.Soyma B. (mm)	Section Kesit (mm ²)	Current Akım (A)	Voltage Voltaj (V)	A (mm)	B (mm)	C (mm)	D (mm)	E (mm)	F (mm)	G (mm)	H (mm)	Pcs./ Ad.
5020	No.0	12	0,4	6,0	0,75 -1,5	17,5	400	91,0	13,9	8,9	2,1	14,9	6,0	5,5	7,9	100
5021	No.1	12	0,5	6,0	2,5 - 4	32,0	400	115,5	16,8	10,0	2,4	19,0	7,5	6,5	10,0	50
5022	No.2	12	0,8	8,0	4 - 6	41,0	400	134,7	18,4	10,5	1,7	20,9	8,8	7,8	11,7	50
5023	No.3	10	1,2	9,0	6 - 10	57,0	400	138,8	21,6	13,6	2,7	22,6	9,4	9,9	14,3	50
5024	No.4	6	2,0	10,0	10 - 16	76,0	500	96,5	25,6	15,6	3,1	29,6	11,7	12,0	17,0	50
5025	No.5	6	2,5	11,0	16 - 25	101,0	500	106,3	27,3	17,5	3,1	30,0	11,6	14,0	18,5	50
5026	No.3	3	1,2	9,0	6 - 10	57,0	400	38,4	21,6	13,6	2,7	22,6	9,4	9,9	12,8	50

PANEL INTERNAL HIGH TEMPERATURE TERMINAL STRIPS PANO İÇİ YÜKSEK ISIYA DAYANIKLI SIRA KLEMENSLER



Not: No.1, No.2 ve No.3 Sıra klemenslerde ortadaki montaj deliği kare olarak üretilmektedir.

Note: For No.1, No.2 and No.3 terminal strips The mounting hole in the center is produced as square.

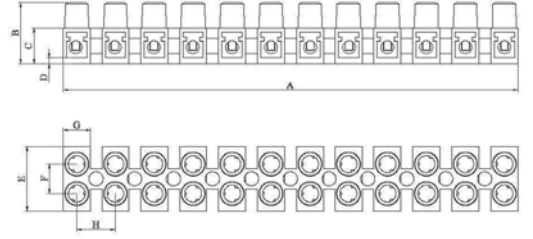


MATERIAL / MATERYAL	
Isolation Material / İzolasyon Malzemesi	PA 6.6 V0
Contact / Kontak	CK45 Steel - Çelik
Work Temperature / Çalışma Sıcaklığı	(-40 °C, +200 °C)
Connection Type / Bağlantı Tipi	Screw / Vidalı (Steel - Çelik)
Norm	EN-60998-2-1

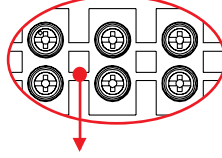
DESCRIPTIONS / ÖZELLİKLER

CODE KOD	No.	Pole Göz	Torque Tork (Nm)	C.Strip L./ K.Soyma B. (mm)	Section Kesit (mm ²)	Current Akım (A)	Voltage Voltaj (V)	A (mm)	B (mm)	C (mm)	D (mm)	E (mm)	F (mm)	G (mm)	H (mm)	Pcs./ Ad.
5029	No.0	12	0,4	6,0	0,75 -1,5	17,5	400	91,0	13,9	8,9	2,1	14,9	6,0	5,5	7,9	100
5030	No.1	12	0,5	6,0	2,5 - 4	32,0	400	115,5	16,8	10,0	2,4	19,0	7,5	6,5	10,0	50
5031	No.2	12	0,8	8,0	4 - 6	41,0	400	134,7	18,4	10,5	1,7	20,9	8,8	7,8	11,7	50
5032	No.3	10	1,2	9,0	6 - 10	57,0	400	138,8	21,6	13,6	2,7	22,6	9,4	9,9	14,3	50
5033	No.4	6	2,0	10,0	10 - 16	76,0	500	96,5	25,6	15,6	3,1	29,6	11,7	12,0	17,0	50
5034	No.5	6	2,5	11,0	16 - 25	101,0	500	106,3	27,3	17,5	3,1	30,0	11,6	14,0	18,5	50
5035	No.3	3	1,2	9,0	6 - 10	57,0	400	38,4	21,6	13,6	2,7	22,6	9,4	9,9	12,8	50

POLYAMID TERMINAL STRIPS WITH PALLET PALETLİ POLİAMİT SIRA KLEMENSLER



MATERIAL / MATERYAL	
Isolation Material / İzolasyon Malzemesi	PC 6.6 V2
Contact / Kontak	CK45 Steel - Çelik
Work Temperature / Çalışma Sıcaklığı	(-40 °C, +140 °C)
Pallet / Palet	Ck 45 (Steel - Çelik)
Norm	EN-60998-2-1



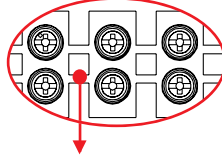
Not: No.1, No.2 ve No.3 Sıra klemenslerde ortadaki montaj deliği kare olarak üretilmektedir.
Note: For No.1, No.2 and No.3 terminal strips The mounting hole in the center is produced as square.

DESCRIPTIONS / ÖZELLİKLER

CODE KOD	No.	Pole Göz	Torque Tork (Nm)	C.Strip L./ K.Soyma B. (mm)	Section Kesit (mm ²)	Current Akım (A)	Voltage Voltaj (V)	A (mm)	B (mm)	C (mm)	D (mm)	E (mm)	F (mm)	G (mm)	H (mm)	Pcs./ Ad.
5040	No.1	12	0,5	6,0	2,5 - 4	32,0	400	115,5	16,8	10,0	2,4	19,0	7,5	6,5	10,0	50
5041	No.2	12	0,8	8,0	4 - 6	41,0	400	134,7	18,4	10,5	1,7	20,9	8,8	7,8	11,7	50
5042	No.3	10	1,2	9,0	6 - 10	57,0	400	138,8	21,6	13,6	2,7	22,6	9,4	9,9	14,3	50
5043	No.3	3	1,2	9,0	6 - 10	57,0	400	38,4	21,6	13,6	2,7	22,6	9,4	9,9	14,3	50

POLYCARBON TERMINAL STRIPS WITH PALLET PALETLİ POLİKARBON SIRA KLEMENSLER

MATERIAL / MATERYAL	
Isolation Material / İzolasyon Malzemesi	PC 6.6 V2
Contact / Kontak	CK45 Steel - Çelik
Work Temperature / Çalışma Sıcaklığı	(-40 °C, +140 °C)
Pallet / Palet	Ck 45 (Steel - Çelik)
Norm	EN-60998-2-1



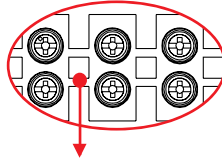
Not: No.1, No.2 ve No.3 Sıra klemenslerde ortadaki montaj deliği kare olarak üretilmektedir.
Note: For No.1, No.2 and No.3 terminal strips The mounting hole in the center is produced as square.

DESCRIPTIONS / ÖZELLİKLER

CODE KOD	No.	Pole Göz	Torque Tork (Nm)	C.Strip L./ K.Soyma B. (mm)	Section Kesit (mm ²)	Current Akım (A)	Voltage Voltaj (V)	A (mm)	B (mm)	C (mm)	D (mm)	E (mm)	F (mm)	G (mm)	H (mm)	Pcs./ Ad.
5050	No.1	12	0,5	6,0	2,5 - 4	32,0	400	115,5	16,8	10,0	2,4	19,0	7,5	6,5	10,0	50
5051	No.2	12	0,8	8,0	4 - 6	41,0	400	134,7	18,4	10,5	1,7	20,9	8,8	7,8	11,7	50
5052	No.3	10	1,2	9,0	6 - 10	57,0	400	138,8	21,6	13,6	2,7	22,6	9,4	9,9	14,3	50
5053	No.3	3	1,2	9,0	6 - 10	57,0	400	38,4	21,6	13,6	2,7	22,6	9,4	9,9	14,3	50

PANEL INTERNAL HIGH TEMPERATURE TERMINAL STRIPS WITH PALLET PALETLİ PANO İÇİ YÜKSEK ISIYA DAYANIKLI SIRA KLEMENSLER

MATERIAL / MATERYAL	
Isolation Material / İzolasyon Malzemesi	PA 6.6 V0
Contact / Kontak	CK45 Steel - Çelik
Work Temperature / Çalışma Sıcaklığı	(-40 °C, +200 °C)
Pallet / Palet	Ck 45 (Steel - Çelik)
Norm	EN-60998-2-1

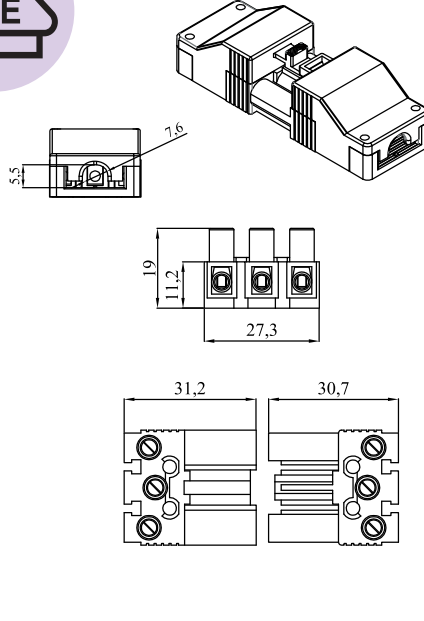


Not: No.1, No.2 ve No.3 Sıra klemenslerde ortadaki montaj deliği kare olarak üretilmektedir.
Note: For No.1, No.2 and No.3 terminal strips The mounting hole in the center is produced as square.

DESCRIPTIONS / ÖZELLİKLER

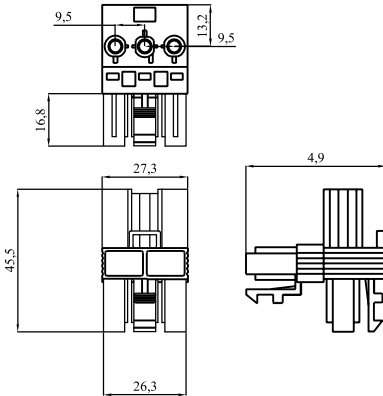
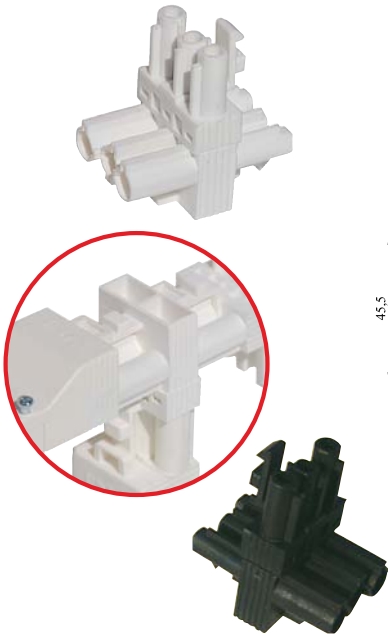
CODE KOD	No.	Pole Göz	Torque Tork (Nm)	C.Strip L./ K.Soyma B. (mm)	Section Kesit (mm ²)	Current Akım (A)	Voltage Voltaj (V)	A (mm)	B (mm)	C (mm)	D (mm)	E (mm)	F (mm)	G (mm)	H (mm)	Pcs./ Ad.
5056	No.1	12	0,5	6,0	2,5 - 4	32,0	400	115,5	16,8	10,0	2,4	19,0	7,5	6,5	10,0	50
5057	No.2	12	0,8	8,0	4 - 6	41,0	400	134,7	18,4	10,5	1,7	20,9	8,8	7,8	11,7	50
5058	No.3	10	1,2	9,0	6 - 10	57,0	400	138,8	21,6	13,6	2,7	22,6	9,4	9,9	14,3	50
5059	No.3	3	1,2	9,0	6 - 10	57,0	400	38,4	21,6	13,6	2,7	22,6	9,4	9,9	14,3	50

MODULAR SOCKET CONNECTORS 3'LÜ MODÜLER SİSTEM SOKET KLEMENSLER



MATERIAL / MATERYAL		CODE KOD	DESCRIPTIONS ÖZELLİKLER	Current Akım (A)	Voltage Voltaj (V)	Pcs. Box / Kutu Ad.
Body / Gövde	PA6.6 V2	5065	No. 13 Pole Socket Connector	24	450	100
Contact / Kontak	Brass / Pirinç					
Screw / Vida	Steel / Çelik					
Temp./ Sıcaklık	-40 °C, +140 °C	5066	Plastic Cover (Set)	24	450	45
Cable Strip L. / Soyma Boyu	6 mm					
Cable Sec. / Kablo Kesiti	2,5 mm ²	5067	No. 13 Pole Socket Connector + Cover Set	24	450	45
Torque / Tork	0,5 Nm					
Norm	EN 61984					

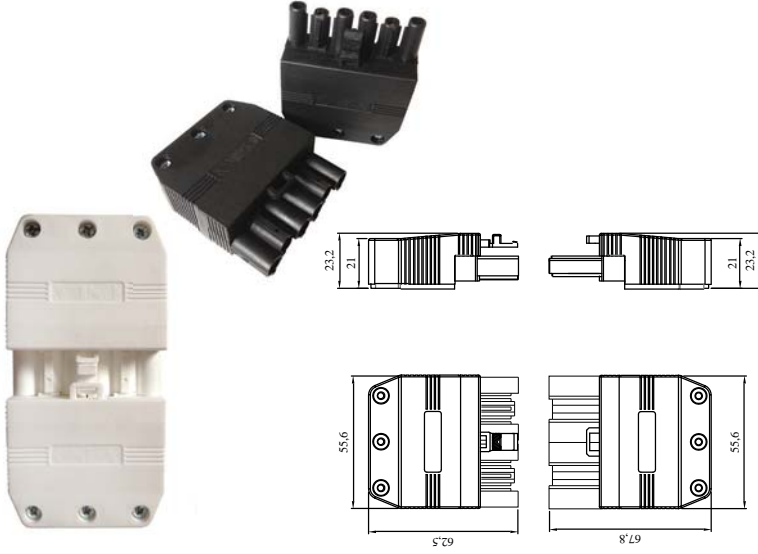
CONNECTION APPARATUS 3'LÜ SOKET KLEMENS T BAĞLANTI APARATI



MATERIAL / MATERYAL	
Body / Gövde	PA6.6 V2
Contact / Kontak	Brass / Pirinç
Screw / Vida	Steel / Çelik
Temp./ Sıcaklık	-40 °C, +140 °C

CODE KOD	DESCRIPTIONS ÖZELLİKLER	Current Akım (A)	Voltage Voltaj (V)	Pcs. Box / Kutu Ad.
5074	2.5 - 4 mm ² T Bağlantı Aparatı T Type Connection Apparatus	24	450	60

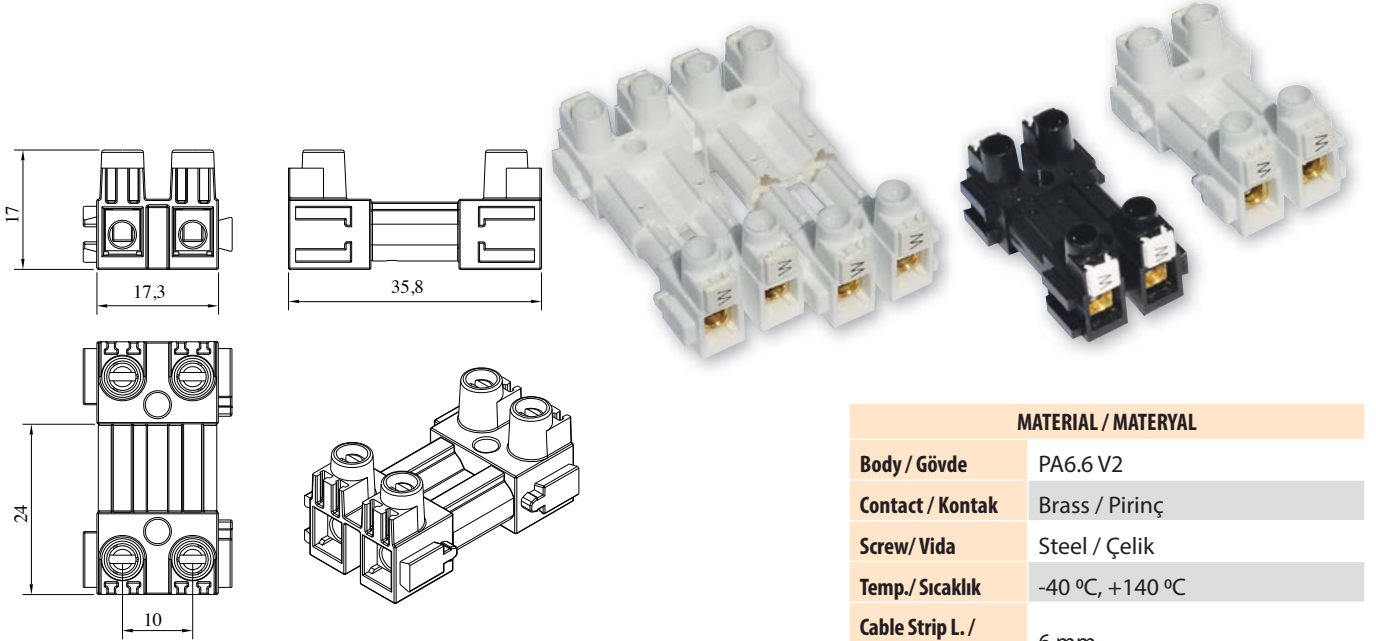
6 POLE SOCKET CONNECTORS 6'LI SOKET KLEMENS BAĞLANTI APARATI



MATERIAL / MATERYAL	
Body / Gövde	PA6.6 V2
Contact / Kontak	Brass / Pirinç
Screw/ Vida	Steel / Çelik
Temp./ Sıcaklık	-40 °C, +140 °C
Cable Strip L. / Soyma Boyu	6 mm
Cable Sec. / Kablo Kesiti	2,5 mm ²
Torque / Tork	0,5 Nm

CODE KOD	DESCRIPTIONS ÖZELLİKLER	Colour Renk	Current Akım (A)	Voltage Voltaj (V)	Pcs. Box / Kutu Ad.
5064	No:1, 6 Pole Socket Cover Set	White /Beyaz	24	450	16
5063	No:1, 6 Pole Socket Cover Set	Black / Siyah	24	450	16

MODULAR SOCKET CONNECTORS 2'Lİ MODÜLER SİSTEM SOKET KLEMENSLER



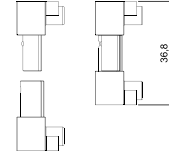
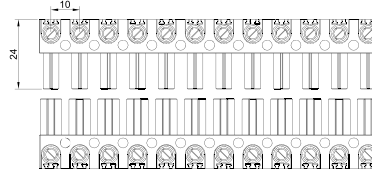
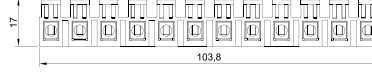
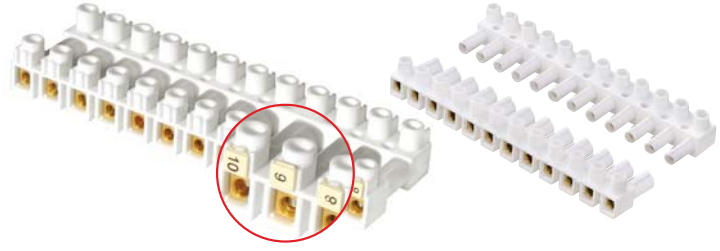
MATERIAL / MATERYAL	
Body / Gövde	PA6.6 V2
Contact / Kontak	Brass / Pirinç
Screw/ Vida	Steel / Çelik
Temp./ Sıcaklık	-40 °C, +140 °C
Cable Strip L. / Soyma Boyu	6 mm
Cable Sec. / Kablo Kesiti	2,5 mm ²
Torque / Tork	0,5 Nm

ACCESSORIES / AKSESUARLAR	
Marking / Markalama	9540 / 9541

CODE KOD	DESCRIPTIONS ÖZELLİKLER	Current / Akım (A)	Voltage / Voltaj (V)	Pcs. Box / Kutu Ad.
5068	NO. 1 - 2 Pole Socket Connector + Modular System	24	450	180

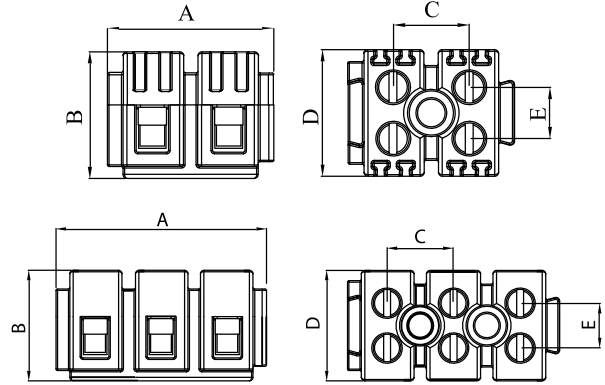
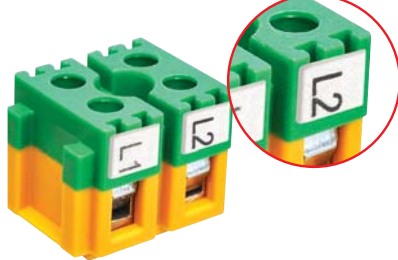
12 POLE SOCKET CONNECTOR 12'Lİ SOKET KLEMENS

MATERIAL / MATERYAL	
Body / Gövde	PA6.6 V2
Contact / Kontak	Brass / Pirinç
Screw / Vida	Steel / Çelik
Temp./ Sıcaklık	-40 °C, +140 °C
Cable Strip L. / Soyma Boyu	6 mm
Cable Sec. / Kablo Kesiti	2,5 mm ²
Torque / Tork	0,5 Nm
ACCESSORIES / AKSESUARLAR	
Marking / Markalama	9540 / 9541



CODE KOD	DESCRIPTIONS ÖZELLİKLER	Current / Akım (A)	Voltage / Voltaj (V)	Pcs. Box / Kutu Ad.
5060	No. 1-12 2.5 - 4 mm ² lik (Erkek Dişi Geçmeli Kilitli, istenilen Modül sayısında kesim yapılır.)	24	450	30

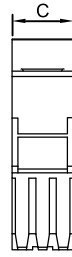
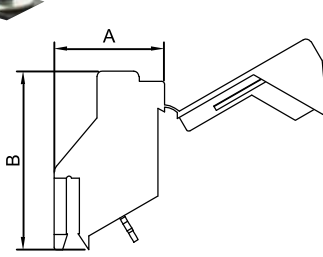
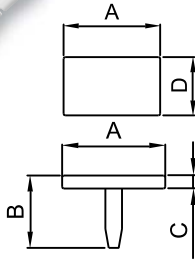
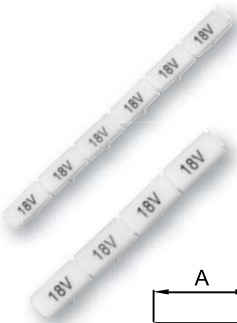
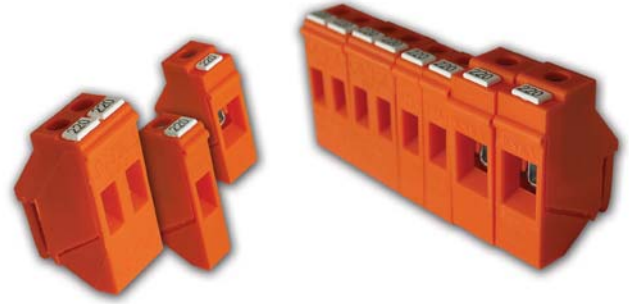
MODULAR EQUIPMENT TERMINAL STRIPS MODÜL CİHAZ KLEMENSLERİ



MATERIAL / MATERYAL	
Isolation Material / İzolasyon Malzemesi	PA 6.6 V2
Contact / Kontak	CK45 Steel
Work Temperature / Çalışma Sıcaklığı	(-40 °C, +140 °C)
Connection Type / Bağlantı Tipi	Screw / Vidalı (Steel - Çelik)
Norm	EN-60998-2-1
ACCESSORIES / AKSESUARLAR	
Marking / Markalama	9540 / 9541

CODE KOD	DESCRIPTIONS ÖZELLİKLER	Cable Section Kablo Kesiti	Current Akım (A)	Voltage Voltaj (V)	Cable Strip Length / Kablo Soyma Boyu (mm)	A (mm)	B (mm)	C (mm)	D (mm)	E (mm)	Pcs. Box / Kutu Ad.
5100	No. 1	2,5-4 mm ²	32	400	6	19,0	16,3	8,5	16,0	6,5	250
5101	No. 2	4-6 mm ²	41	400	8	21,4	19,0	11,0	18,5	9,0	144
5102	No. 3	6-10 mm ²	57	400	9	28,5	16,3	13,9	21,7	11,2	75
5103	No 1-3'lü	2,5-4 mm ²	32	400	6	30,35	16,0	8,5	16,0	6,5	200

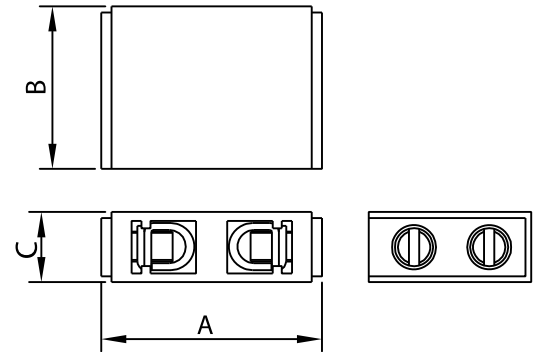
TRANSFORMER TERMINAL BLOCKS TRAFO KLEMENSLERİ ve ETİKETLERİ



MATERIAL / MATERYAL	
Body / Gövde	PA6.6 V2
Bridge / Köprü	Copper / Bakır - Silver Covering / Gümüş Kaplama
Contact / Kontak	CK45 Steel / Çelik
Screw / Vida	Steel
Temp./ Sıcaklık	-40 °C, +140 °C
Torque / Tork	0,5 Nm

CODE KOD	DESCRIPTIONS ÖZELLİKLER	Current Akım (A)	Voltage Voltaj (V)	Cable Strip Length / Kablo Soyma Boyu (mm)	A (mm)	B (mm)	C (mm)	Pcs. Box / Kutu Ad.
5135	1 x 4 mm ² High Type	32	690	8	19,2	32,0	7,6	200
5136	2 x 4 mm ² High Type	32	690	8	19,2	32,0	15,0	100
5137	1 x 6 mm ² High Type	41	690	10	22,0	34,0	11,0	100
5139	Transformal Terminal Sticker Printless	-	-	-	6,25	4,4	0,8	500
5140	Transformal Terminal Sticker Printed	-	-	-	6,25	4,4	0,8	500

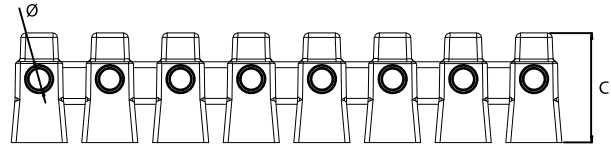
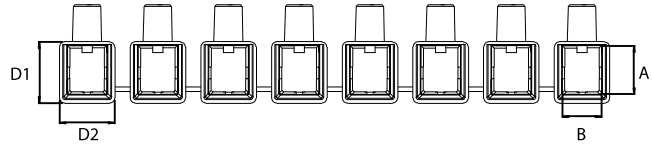
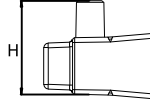
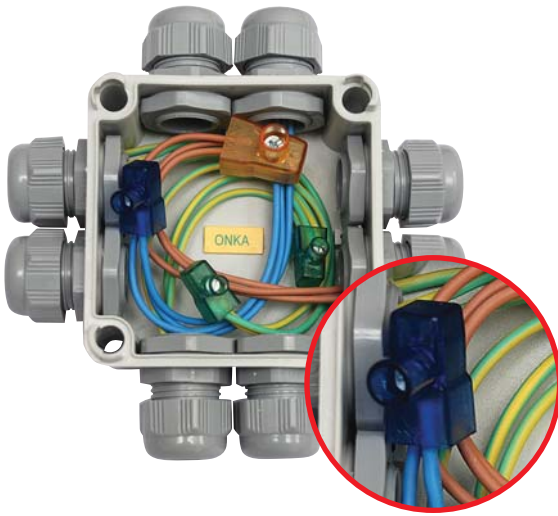
MINI CONNECTORS (FOR ASPIRATOR) MİNİ KLEMENS (ASPIRATÖR KLEMENSİ)



MATERIAL / MATERYAL	
Body / Gövde	PA6.6 V2
Contact / Kontak	CK45 Steel
Screw / Vida	Steel
Temp./ Sıcaklık	-40 °C, +140 °C
Cable Strip L. / Soyma Boyu	6 mm
Cable Sec. / Kablo Kesiti	2,5 - 4 mm ²
Torque / Tork	0,5 Nm
Norm	EN 60998 -2 -1

CODE KOD	DESCRIPTIONS ÖZELLİKLER	Current Akım (A)	Voltage Voltaj (V)	A (mm)	B (mm)	C (mm)	Pcs. Box / Kutu Ad.
5130	Mini Connector Mini klemens (Aspiratör) 2.5 - 4 mm ²	32	400	19,2	32,0	7,6	250

JUNCTION BOX TERMINAL (TRANSPARENT / COLOURFUL) VİDALI BUAT İÇİ KLEMENS (ŞEFFAF / RENKLİ)

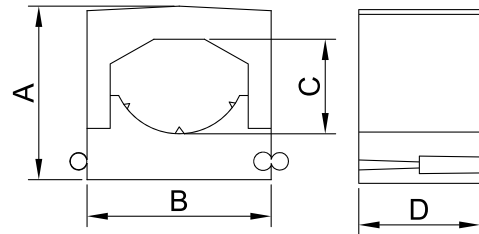


MATERIAL / MATERYAL

Body / Gövde	Polycarbonate
Contact / Kontak	CK45 Steel / Çelik
Screw / Vida	Steel / Çelik
Temp./ Sıcaklık	-40 °C, +140 °C
Cable Strip L. / Soyma Boyu	10 mm
Torque / Tork	0,5 Nm

CODE KOD	DESCRIPTIONS ÖZELLİKLER	Cable Section Kablo Kesiti	Current Akım (A)	Voltage Voltaj (V)	A (mm)	B (mm)	C (mm)	D1 (mm)	D2 (mm)	H (mm)	Ø (mm)	Pcs. Box / Kutu Ad.
5504	No.1	2,5-4 mm ²	32	400	6,5	5,5	13,0	8,9	8,0	14,0	4,5	600
5514	No.2	4-6 mm ²	41	400	7,55	6,6	18,4	11,5	10,4	17,4	5,0	600
5524	No.3	6-10 mm ²	57	400	8,8	7,7	22,0	12,9	11,9	20,0	6,0	600
5534	No.4	10-16 mm ²	76	500	11,0	9,6	27,3	16,0	15,3	24,6	7,5	500
5544	No.5	16-25 mm ²	101	500	12,8	11,2	26,0	16,8	16,4	26,0	7,4	500
5554	No.6-7	25-35 mm ²	125	500	17,8	14,5	40,0	22,5	20,3	34,3	8,0	200

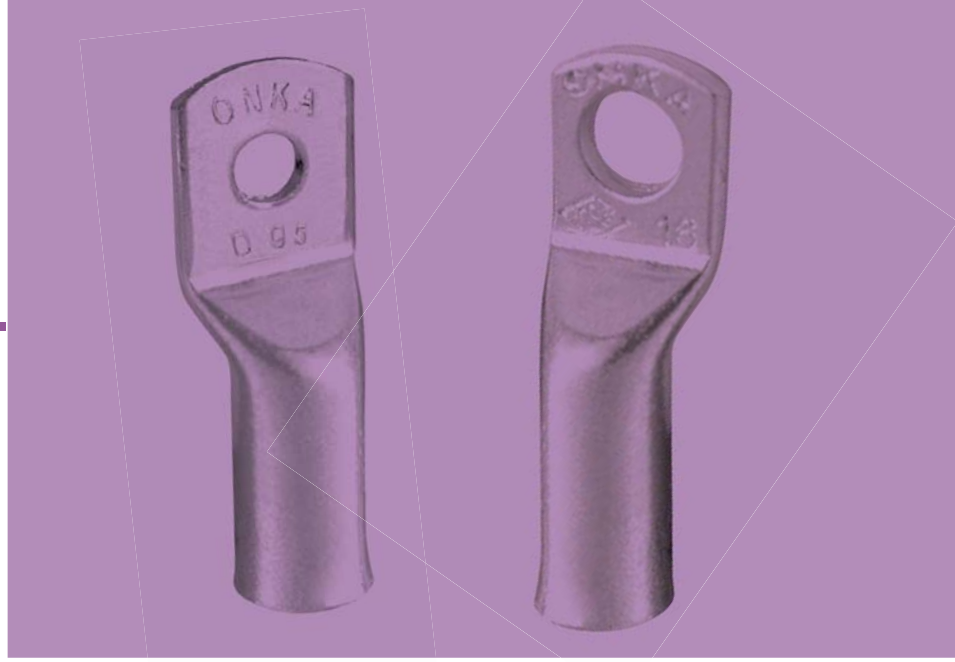
CLAWED TIE CONNECTORS (PLASTIC) TIRNAKLI KROŞELER (PLASTİK)



CODE KOD	DESCRIPTIONS ÖZELLİKLER	A (mm)	B (mm)	C (mm)	D (mm)	Pcs. Box / Kutu Ad.
5155	No.1: 2x1.5/2x2.5/2x4/2x6 /3x1.5/4x1.5/3x2.5/4x2.5	21,2	20,4	7,2	16,0	100
5156	No.2: 4x4 / 4x6	26,4	24,0	11,5	16,0	100
5157	No.3: 4x10 NYM / 3x16 + 10 NYY	34,0	34,0	17,0	15,5	100
5158	No.4: 3x25 + 16 / 3x35 + 16 / 3x50 + 25 NYY	37,7	40,0	20,3	15,5	25



CABLE LUGS KABLO PABUÇLARI



CABLE LUGS

Technical Features:

- 100% copper.
- With the ability to collect at the entrance of the cables according to the product cross section
The user has the inflating mouth structure which provides comfort.
(With utility model patent number 2014/01745).
- All products are covered with a minimum of 6 micron tin.
- Since production is made from tempered copper material
No cracking or cracking occurs during squeezing.
- Conductivity coefficient is minimum 56 ms / m.



KABLO PABUÇLARI

Teknik Özellikler:

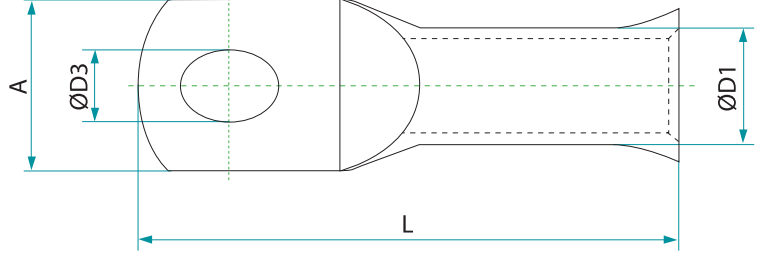
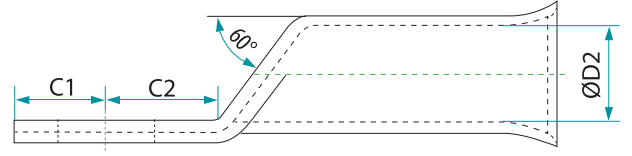
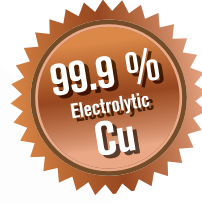
- %100 bakır.
- Ürün kesitine uygun kabloları girişinde toplama özelliği ile kullanıcı konforu sağlayan şişirme ağız yapısına sahiptir.
(2014/01745 numaralı faydalı model patente sahip).
- Ürünlerin tamamı minimum 6 mikron kalay kaplıdır.
- Tavlanmış bakır malzemeden üretim gerçekleştirildiğinden sıkma esnasında kırılma ve çatlama oluşmaz.
- İletkenlik katsayısı minimum 56 ms/m' dir.

CABLE LUGS

KABLO

PABUÇLARI

STANDARD SKP MINI CABLE LUGS STANDART SKP KABLO PABUÇLARI

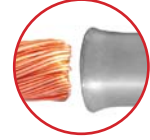
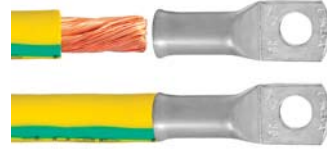


MATERIAL / MATERYAL

Material / Malzeme: Elecolitic Copper / Bakır

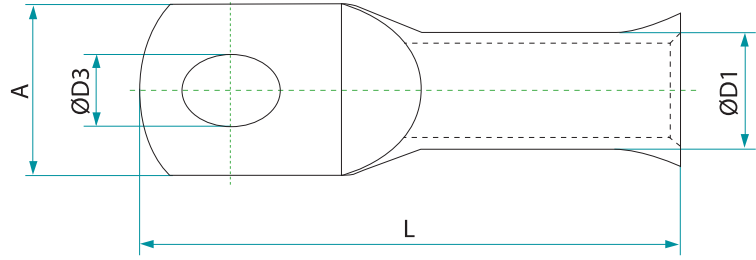
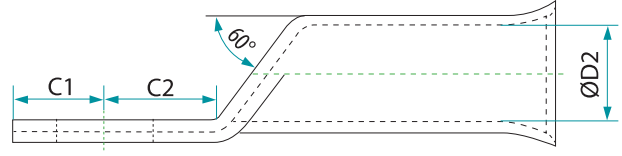
Conductivity Coefficient / İletkenlik Katsayısı: 56ms/m

Norm: EN 61238 -1



CODE KOD	REF. NO	CABLE SEC. KABLO KESİTİ (mm ²)	BOLT CİVATA	ØD1 (mm ²)	ØD2 (mm ²)	L (mm)	ØD3 (mm ²)	A (mm)	C1 (mm)	C2 (mm)	Pcs. / Ad.
6250	SKP-6	6	M5/M6	5.5	4	24	5.5	8.5	6	5	1500
6251	SKP-10	10	M5/M6	6.5	5	25	5.5	9.5	5.5	6.5	1250
6252	SKP-16	16	M6/M8	7	5.5	27.5	6.5	10.5	5.5	6.5	750
6253	SKP-25	25	M6/M8	9	7.5	34	8.5	13	7	9	450
6254	SKP-35	35	M6/M8/M10	10.5	8.5	39	8.5	15.5	8.5	9.5	300
6255	SKP-50	50	M8/M10/M12/M14	12	10	47	10.5	18	10	11.5	175
6256	SKP-70	70	M8/M10/M12/M14	14	11.5	49	10.5	20.5	10	11.5	125
6257	SKP-95	95	M8/M10/M12/M14	16	13.5	53	10.5	23.5	10	12	75
6258	SKP-120	120	M10/M12/M14/M16	18	15.5	63.5	13	26.5	13	14	50
6259	SKP-150	150	M10/M12/M14/M16	20	16.5	71	13	29	17	17	40
6260	SKP-185	185	M10/M12/M14/M16/M20	22	18.5	77	17	32	17	18	30
6261	SKP-240	240	M10/M12/M14/M16/M20	25.5	21.5	83	17	37.5	17	18	25

EXTRA COPPER CABLE LUGS (LONG AND THICK TYPE) EXTRA SKP SIKMALI KABLO PABUÇLARI (UZUN VE KALIN TİP)



MATERIAL / MATERYAL

Material / Malzeme: Elecolitic Copper / Bakır

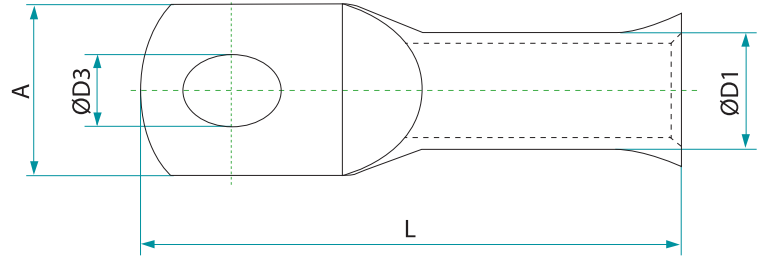
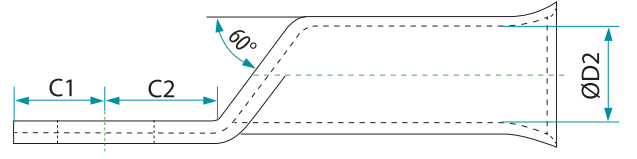
Conductivity Coefficient / İletkenlik Katsayısı: 56ms/m

Norm: EN 61238 -1



CODE KOD	REF. NO	CABLE SEC. KABLO KESİTİ (mm ²)	BOLT CİVATA	ØD1 (mm ²)	ØD2 (mm ²)	L (mm)	ØD3 (mm ²)	A (mm)	C1 (mm)	C2 (mm)	Pcs. / Ad.
6025	SKP-6	6	M5/M6	5.5	4	26	5.5	8.5	6	5	1500
6026	SKP-10	10	M5/M6	6.5	5	27.5	6.5	10.5	5.5	6.5	1000
6027	SKP-16	16	M6/M8	7.8	5.8	30	6.5	12	5.5	6.5	600
6028	SKP-25	25	M6/M8	9.5	7.2	40	8.5	14	7	9	300
6029	SKP-35	35	M6/M8/M10	10.8	8.5	43.5	8.5	15.3	8.5	9.5	250
6030	SKP-50	50	M8/M10/M12/M14	13	10	51.5	10.5	20	10	11.5	150
6031	SKP-70	70	M8/M10/M12/M14	14.7	11.5	55	10.5	22	10	11.5	100
6032	SKP-95	95	M8/M10/M12/M14	16.7	13.5	59	10.5	26	10	12	75
6033	SKP-120	120	M10/M12/M14/M16	19	15.6	70	13	29	13	14	50
6034	SKP-150	150	M10/M12/M14/M16	21	17	77	13	32	17	17	40
6035	SKP-185	185	M10/M12/M14/M16/M20	23	19	85	17	35	17	18	30
6036	SKP-240	240	M10/M12/M14/M16/M20	26	21	90	17	38.5	17	18	25
6037	SKP-300	300	M14/M16/M20	28.6	23.5	100	17	43	18	18	10
6038	SKP-400	400	M14/M16/M20	32.8	27	110	17	50	20	20	10
6039	SKP-500	500	M20								10
6040	SKP-600	600	M20								10

LONG TYPE SKP CABLE LUGS UZUN TİP SKP SIKMALI KABLO PABUÇLARI



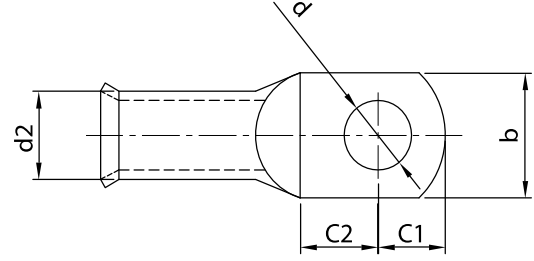
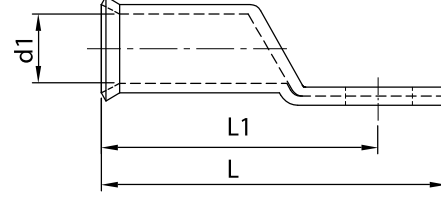
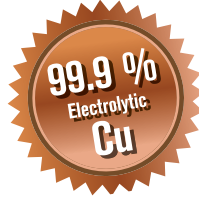
MATERIAL / MATERYAL

Material / Malzeme	Electrolytic Copper / Bakır
Conductivity Coefficient / İletkenlik Katsayısı	56ms/m
Norm	EN 61238 -1



CODE KOD	REF. NO	CABLE SEC. KABLO KESİTİ (mm ²)	BOLT CİVATA	ØD1 (mm ²)	ØD2 (mm ²)	L (mm)	ØD3 (mm ²)	A (mm)	C1 (mm)	C2 (mm)	Pcs. / Ad.
6401	SKP-6	6	M5/M6	5.5	4	26	5.5	8.5	6	5	1500
6402	SKP-10	10	M5/M6	6.5	5	27.5	5.5	9.5	5.5	6.5	1000
6403	SKP-16	16	M6/M8	7	5.5	30	6.5	10.5	5.5	6.5	600
6404	SKP-25	25	M6/M8	9	7.5	40	8.5	13	7	9	300
6405	SKP-35	35	M6/M8/M10	10.5	8.5	43.5	8.5	15.5	8.5	9.5	250
6406	SKP-50	50	M8/M10/M12/M14	12	10	51.5	10.5	18	10	11.5	150
6407	SKP-70	70	M8/M10/M12/M14	14	11.5	55	10.5	20.5	10	11.5	100
6408	SKP-95	95	M8/M10/M12/M14	16	13.5	59	10.5	23.5	10	12	75
6409	SKP-120	120	M10/M12/M14/M16	18	15.5	70	13	26.5	13	14	50
6410	SKP-150	150	M10/M12/M14/M16	20	16.5	77	13	29	17	17	40
6411	SKP-185	185	M10/M12/M14/M16/M20	22	18.5	85	17	32	17	18	30
6412	SKP-240	240	M10/M12/M14/M16/M20	25.5	21.5	90	17	37.5	17	18	25

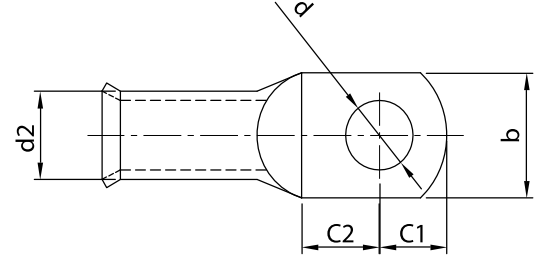
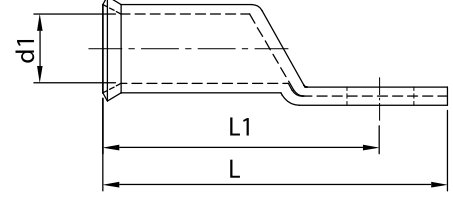
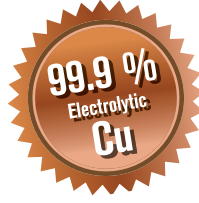
DIN NORM 46235 SKP CABLE LUGS DIN NORMU 46235 SKP SIKMALI KABLO PABUÇLARI



MATERIAL / MATERYAL	
Material / Malzeme	Elecrolytic Copper / Bakır
Conductivity Coefficient / İletkenlik Katsayısı	56ms/m
Norm	DIN 46235

CODE KOD	REF. NO	CABLE SEC. KABLO KESİTİ (mm ²)	BOLT CİVATA	d (mm)	d1 (mm)	d2 (mm)	L (mm)	L1 (mm)	b (mm)	C1 (mm)	C2 (mm)	Pcs. / Ad.
6052	DSKP-10-5	10	M5	5,3	4,5	7,0	34,0	27,0	9,0	7,0	8,5	800
6053	DSKP-10-6	10	M6	6,4	4,5	7,0	34,5	27,0	9,0	7,5	8,5	800
6054	DSKP-16-6	16	M6	6,4	5,5	8,5	43,5	36,0	13,0	7,5	8,0	300
6055	DSKP-16-8	16	M8	8,4	5,5	8,5	46,0	36,0	13,0	10,0	10,0	300
6056	DSKP-16-10	16	M10	10,5	5,5	8,5	48,0	36,0	17,0	12,0	12,0	300
6057	DSKP-25-6	25	M6	6,6	7,0	10,0	45,5	38,0	14,0	7,5	8,0	250
6058	DSKP-25-8	25	M8	8,4	7,0	10,0	48,0	38,0	16,0	10,0	10,0	250
6059	DSKP-25-10	25	M10	10,5	7,0	10,0	50,0	38,0	17,0	12,0	12,0	250
6106	DSKP-25-12	25	M12	13,0	7,0	10,0	51,0	38,0	19,0	13,0	13,0	250
6061	DSKP-35-8	35	M8	8,4	8,2	12,5	52,0	42,0	17,0	10,0	10,0	150
6062	DSKP-35-10	35	M10	10,5	8,2	12,5	54,0	42,0	19,0	12,0	12,0	150
6063	DSKP-35-12	35	M12	13,0	8,2	12,5	55,0	42,0	21,0	13,0	13,0	150
6064	DSKP-50-8	50	M8	8,4	10,0	14,5	62,0	52,0	20,0	10,0	10,0	75
6065	DSKP-50-10	50	M10	10,5	10,0	14,5	64,0	52,0	22,0	12,0	12,0	75
6066	DSKP-50-12	50	M12	13,0	10,0	14,5	65,0	52,0	24,0	13,0	13,0	75
6067	DSKP-50-16	50	M16	17,0	10,0	14,5	68,0	52,0	28,0	16,0	16,0	75
6068	DSKP-70-8	70	M8	8,4	11,5	16,5	65,0	55,0	24,0	10,0	10,0	75
6069	DSKP-70-10	70	M10	10,5	11,5	16,5	67,0	55,0	24,0	12,0	12,0	75
6070	DSKP-70-12	70	M12	13,0	11,5	16,5	68,0	55,0	24,0	13,0	13,0	75
6072	DSKP-70-16	70	M16	17,0	11,5	16,5	71,0	55,0	30,0	16,0	16,0	75
6074	DSKP-95-10	95	M10	10,5	13,5	19,0	77,0	65,0	28,0	12,0	12,0	40
6075	DSKP-95-12	95	M12	13,0	13,5	19,0	78,0	65,0	28,0	13,0	13,0	40
6077	DSKP-95-16	95	M16	17,0	13,5	19,0	81,0	65,0	32,0	16,0	16,0	40

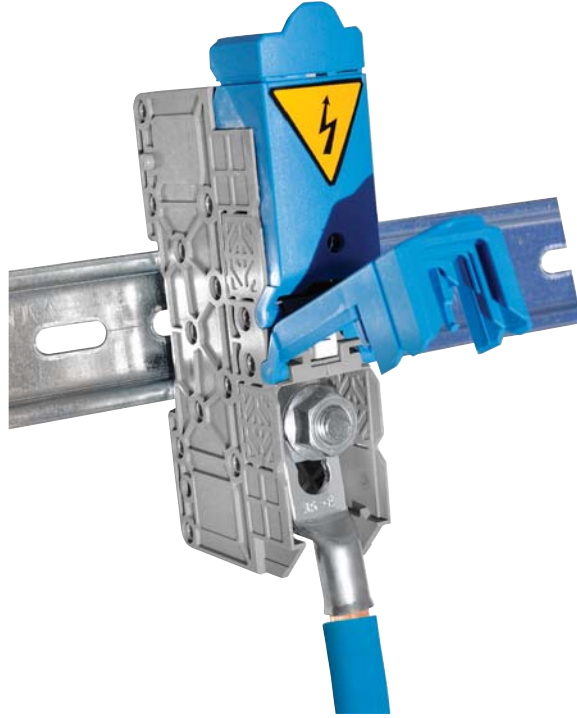
DIN NORM 46235 SKP CABLE LUGS DIN NORMU 46235 SKP SIKMALI KABLO PABUÇLARI



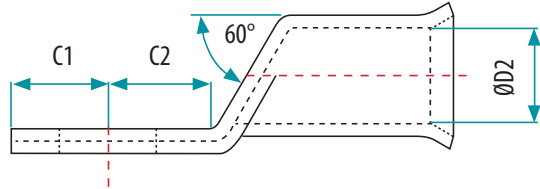
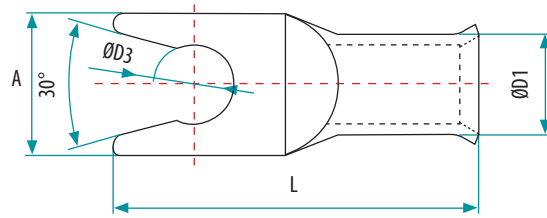
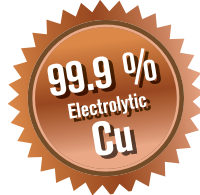
MATERIAL / MATERYAL

Material / Malzeme	Electrolitic Copper / Bakır
Conductivity Coefficient / İletkenlik Katsayısı	56ms/m
Norm	DIN 46235

CODE KOD	REF. NO	CABLE SEC. KABLO KESİTİ (mm ²)	BOLT CİVATA	d (mm)	d1 (mm)	d2 (mm)	L (mm)	L1 (mm)	b (mm)	C1 (mm)	C2 (mm)	Pcs. / Ad.
6078	DSKP-120-10	120	M10	10,5	15,5	21,0	85,0	70,0	32,0	15,0	16,0	40
6079	DSKP-120-12	120	M12	13,0	15,5	21,0	86,0	70,0	32,0	16,0	17,0	40
6081	DSKP-120-16	120	M16	17,0	15,5	21,0	89,0	70,0	32,0	19,0	20,0	40
6082	DSKP-120-20	120	M20	21,0	15,5	21,0	91,0	70,0	39,0	21,0	22,0	40
6083	DSKP-150-10	150	M10	10,5	17,0	23,5	93,0	78,0	34,0	15,0	16,0	25
6084	DSKP-150-12	150	M12	13,0	17,0	23,5	94,0	78,0	34,0	16,0	17,0	25
6086	DSKP-150-16	150	M16	17,0	17,0	23,5	97,0	78,0	34,0	19,0	20,0	25
6087	DSKP-150-20	150	M20	21,0	17,0	23,5	99,0	78,0	40,0	21,0	22,0	25
6088	DSKP-185-10	185	M10	10,5	19,0	25,5	97,0	82,0	37,0	15,0	16,0	20
6089	DSKP-185-12	185	M12	13,0	19,0	25,5	98,0	82,0	37,0	16,0	17,0	20
6091	DSKP-185-16	185	M16	17,0	19,0	25,5	101,0	82,0	37,0	19,0	20,0	20
6092	DSKP-185-20	185	M20	21,0	19,0	25,5	103,0	82,0	40,0	21,0	22,0	20
6094	DSKP-240-12	240	M12	13,0	21,5	29,0	108,0	92,0	42,0	16,0	17,0	15
6096	DSKP-240-16	240	M16	17,0	21,5	29,0	111,0	92,0	42,0	19,0	20,0	15
6097	DSKP-240-20	240	M20	21,0	21,5	29,0	113,0	92,0	45,0	21,0	22,0	15
6098	DSKP-300-14	300	M14	15,0	24,5	32,0	119,0	100,0	48,0	19,0	22,0	10
6099	DSKP-300-16	300	M16	17,0	24,5	32,0	119,0	100,0	48,0	19,0	22,0	10
6100	DSKP-300-20	300	M20	21,0	24,5	32,0	119,0	100,0	48,0	19,0	22,0	10
6101	DSKP-400-14	400	M14	15,0	27,5	38,5	140,0	121,0	55,0	19,0	22,0	10
6102	DSKP-400-16	400	M16	17,0	27,5	38,5	140,0	121,0	55,0	19,0	22,0	10
6103	DSKP-400-20	400	M20	21,0	27,5	38,5	140,0	121,0	55,0	19,0	22,0	10
6104	DSKP-500-20	500	M20	21,0								10
6105	DSKP-625-20	625	M20	21,0								10



FORK TYPE COPPER CABLE LUGS SKP AÇIK AĞIZLI SIKMALI KABLO PABUÇLARI

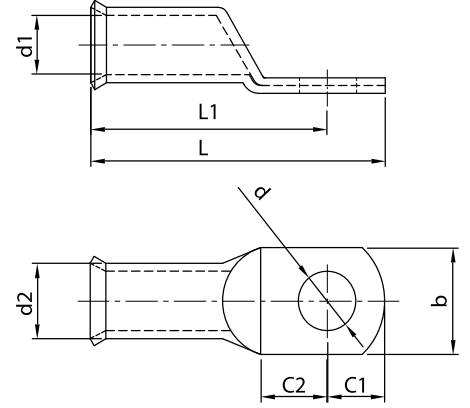


MATERIAL / MATERYAL

Material / Malzeme	Elecrolytic Copper / Bakır
Conductivity Coefficient / İletkenlik Katsayısı	56ms/m
Norm	EN 61238 -1

CODE KOD	CABLE SEC. KABLO KESİTİ (mm ²)	BOLT CİVATA	ØD1 (mm ²)	ØD2 (mm ²)	L (mm)	ØD3 (mm ²)	A (mm)	C1 (mm)	C2 (mm)	Pcs. / Ad.
6210	10	M5	6,5	5	25	5,5	9,5	5,5	6,5	1250
6211	16	M6	7,0	5,5	27,5	6,5	10,5	5,5	6,5	750
6212	25	M8	9	7,5	34	8,5	13	7,0	9	450
6213	35	M8	10,5	8,5	39	8,5	15,5	8,5	9,5	300
6214	50	M8	12	10	47	8,5	18	10	11,5	175

ALUMINIUM DIN NORM CABLE LUGS ALÜMİNYUM DIN NORMU SKP SIKMALI KABLO PABUÇLARI

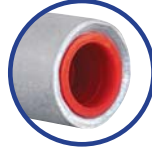


MATERIAL / MATERYAL

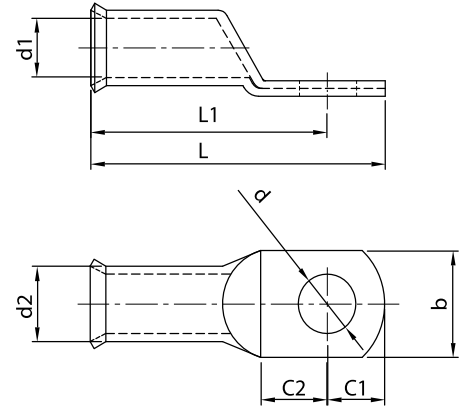
Material / Malzeme	Aluminium
Norm	DIN 46235

CODE KOD	REF. NO	CABLE SEC. KABLO KESİTİ (mm ²)	BOLT CİVATA	d (mm)	d1 (mm)	d2 (mm)	L (mm)	L1 (mm)	b (mm)	C1 (mm)	C2 (mm)	Pcs. / Ad.
6122	DSKP-10	10	M5	5,3	5,0	8,0	50,0	43,0	9,0	7,0	8,5	300
6123	DSKP-16	16	M8	8,4	6,0	10,0	53,0	43,0	13,0	10,0	10,0	200
6124	DSKP-25	25	M8	8,4	7,0	12,0	62,0	52,0	16,0	10,0	10,0	100
6125	DSKP-35	35	M10	10,5	8,2	14,0	70,0	58,0	19,0	12,0	12,0	75
6126	DSKP-50	50	M10	10,5	10,0	16,0	80,0	68,0	22,0	12,0	12,0	70
6127	DSKP-70	70	M10	10,5	12,0	18,0	90,0	78,0	24,0	12,0	12,0	40
6128	DSKP-95	95	M12	13,0	13,4	22,0	95,0	82,0	28,0	13,0	13,0	25
6129	DSKP-120	120	M12	13,0	15,0	23,0	110,0	94,0	32,0	16,0	17,0	25
6130	DSKP-150	150	M12	13,0	16,5	26,0	114,0	98,0	34,0	16,0	17,0	15
6131	DSKP-185	185	M12	13,0	18,5	28,0	125,0	109,0	37,0	16,0	17,0	10
6132	DSKP-240	240	M12	13,0	20,0	32,0	140,0	124,0	42,0	16,0	17,0	8

ALUMINIUM DIN NORM CABLE LUGS (TIN PLATED STOPPER AND GREASY) ALÜMİNYUM DIN NORMU SKP SIKMALI KABLO PABUÇLARI (KALAY KAPLI, TAPALI VE YAĞLI)



STOPPER and GREASY
TAPALI VE YAĞLI

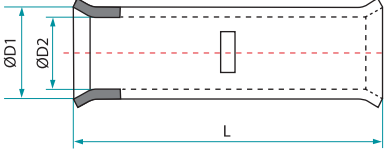


MATERIAL / MATERYAL

Material / Malzeme	Aluminium
Norm	DIN 46235

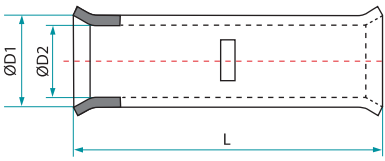
CODE KOD	REF. NO	CABLE SEC. KABLO KESİTİ (mm ²)	BOLT CİVATA	d (mm)	d1 (mm)	d2 (mm)	L (mm)	L1 (mm)	b (mm)	C1 (mm)	C2 (mm)	Pcs. / Ad.
6237	DSKP-10	10	M5	5,3	5,0	8,0	50,0	43,0	9,0	7,0	8,5	300
6238	DSKP-16	16	M8	8,4	6,0	10,0	53,0	43,0	13,0	10,0	10,0	200
6239	DSKP-25	25	M8	8,4	7,0	12,0	62,0	52,0	16,0	10,0	10,0	100
6240	DSKP-35	35	M10	10,5	8,2	14,0	70,0	58,0	19,0	12,0	12,0	75
6241	DSKP-50	50	M10	10,5	10,0	16,0	80,0	68,0	22,0	12,0	12,0	70
6242	DSKP-70	70	M10	10,5	12,0	18,0	90,0	78,0	24,0	12,0	12,0	40
6243	DSKP-95	95	M12	13,0	13,4	22,0	95,0	82,0	28,0	13,0	13,0	25
6244	DSKP-120	120	M12	13,0	15,0	23,0	110,0	94,0	32,0	16,0	17,0	25
6245	DSKP-150	150	M12	13,0	16,5	26,0	114,0	98,0	34,0	16,0	17,0	15
6246	DSKP-185	185	M12	13,0	18,5	28,0	125,0	109,0	37,0	16,0	17,0	10
6247	DSKP-240	240	M12	13,0	20,0	32,0	140,0	124,0	42,0	16,0	17,0	8

MINI COPPER BUTT CONNECTORS STANDART BAKIR SIKMALI EK MUFLAR



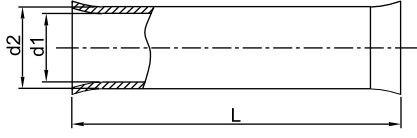
CODE KOD	REF. NO	CABLE SEC. KABLO KESİTİ (mm ²)	ØD1	ØD2	L	Pcs. / Ad.
6140	SEM-6	6	5.5	4	24	1000
6141	SEM-10	10	6.5	5	25.5	750
6142	SEM-16	16	7	5.5	28	500
6143	SEM-25	25	9	7.5	34.5	300
6144	SEM-35	35	10.5	8.5	39.5	200
6145	SEM-50	50	12	10	47.5	150
6146	SEM-70	70	14	11.5	49.5	100
6147	SEM-95	95	16	13.5	53.5	75
6148	SEM-120	120	18	15.5	64	50
6149	SEM-150	150	20	16.5	71.5	35
6150	SEM-185	185	22	18.5	77.5	25
6151	SEM-240	240	25.5	21.5	83.5	20

EXTRA STANDART COPPER BUTT CONNECTORS EXTRA STANDART UZUN ve KALIN TİP BAKIR SIKMALI EK MUFLAR



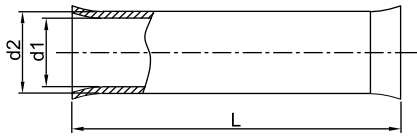
CODE KOD	REF. NO	CABLE SEC. KABLO KESİTİ (mm ²)	ØD1	ØD2	L	Pcs. / Ad.
6160	SEM-6	6	5.5	4	26.5	1000
6161	SEM-10	10	6.5	5	28	750
6162	SEM-16	16	7.8	5.8	30.5	500
6163	SEM-25	25	9.5	7.2	40.5	400
6164	SEM-35	35	10.8	8.5	44	250
6165	SEM-50	50	13	10	52	150
6166	SEM-70	70	14.7	11.5	55.5	100
6167	SEM-95	95	16.7	13.5	59.5	75
6168	SEM-120	120	19	15.6	70.5	50
6169	SEM-150	150	21	17	77.5	35
6170	SEM-185	185	23	19	85.5	25
6171	SEM-240	240	26	21	90.5	20
6172	SEM-300	300	28.6	23.5	103	12
6173	SEM-400	400	32.8	27	113	10
6174	SEM-500	500	-	-	-	10
6175	SEM-600	600	-	-	-	10

DIN NORM COPPER BUTT CONNECTORS 46235 TYPE DIN NORMU 46235 TİP BAKIR SIKMALI EK MUFLAR



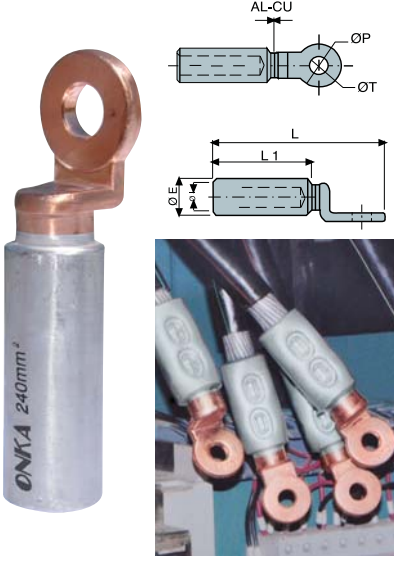
CODE KOD	REF. NO	CABLE SEC. KABLO KESİTİ (mm ²)	d1	d2	L	Pcs. / Ad.
6181	SEM-10	10	4,5	7,0	36,5	400
6182	SEM-16	16	5,5	8,5	48,5	250
6183	SEM-25	25	7,0	10,0	51,0	250
6184	SEM-35	35	8,2	12,5	57,0	100
6185	SEM-50	50	10,0	14,5	67,0	100
6186	SEM-70	70	11,5	16,5	70,5	50
6187	SEM-95	95	13,5	19,0	81,5	50
6188	SEM-120	120	15,5	21,0	90,0	50
6189	SEM-150	150	17,0	23,5	98,0	20
6190	SEM-185	185	19,0	25,5	102,0	20
6191	SEM-240	240	21,5	29,0	112,5	10
6192	SEM-300	300	24,5	32,0	125,0	10
6193	SEM-400	400	27,5	38,5	148,0	10
6194	SEM-500	500				10
6195	SEM-625	625				10

DIN NORM ALUMINIUM BUTT CONNECTORS ALÜMİNYUM DIN NORMU SIKMALI EK MUFLAR



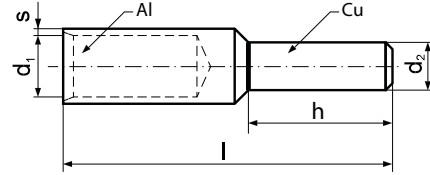
CODE KOD	CABLE SEC. KABLO KESİTİ (mm ²)	d1	d2	L	Pcs. / Ad.
6270	10	5,0	8,0	52,0	300
6271	16	6,0	10,0	55,0	250
6272	25	7,0	12,0	64,0	150
6273	35	8,2	14,0	72,0	75
6274	50	10,0	16,0	82,0	50
6275	70	12,0	18,0	92,0	40
6276	95	13,4	22,0	97,0	20
6277	120	15,0	23,0	112,0	15
6278	150	16,5	26,0	116,0	8
6279	185	18,5	28,0	127,0	7
6280	240	20,0	32,0	142,0	5

BIMETAL (AL-CU) CABLE LUGS BAKIR - ALÜMİNYUM SKP (BİMETALİK)



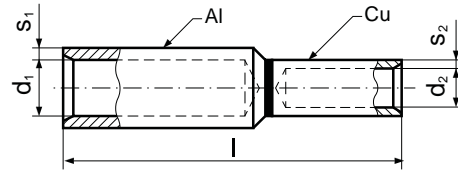
CODE KOD	REF. NO	CABLE SEC. KABLO KESİTİ (mm ²)	ØE	Ø1	L	ØT	L1	WEIGHT AĞIRLIK (gr)	Pcs./ Ad.
6108	TBF-16	16	20	6,5	84	12,8	46	7,2	30
6109	TBF-25	25	20	6,5	84	12,8	46	7,2	30
6110	TBF-35	35	20	8	84	12,8	46	7,2	30
6111	TBF-50	50	20	9	84	12,8	46	7	30
6112	TBF-70	70	20	11	84	12,8	46	7	30
6113	TBF-95	95	20	12,5	84	12,8	46	6,3	30
6114	TBF-120	120	25	13,7	107	12,8	62,5	13,5	30
6115	TBF-150	150	25	15,5	107	12,8	62,5	12,2	30
6116	TBF-185	185	32	17	117	14,5	64	20,1	30
6117	TBF-240	240	32	19,5	117	14,5	64	22,6	15
6118	TBF-300	300	36	23,3	157	16,3	90	33,4	15
6119	TBF-400	400	36	26	157	16,3	90	30,2	10
6120	TBF-500	500	40	29	165	17	93		10

ALUMINIUM COPPER BUTT CONNECTORS (PINS) BAKIR - ALÜMİNYUM EK MUF (PİNLİ)



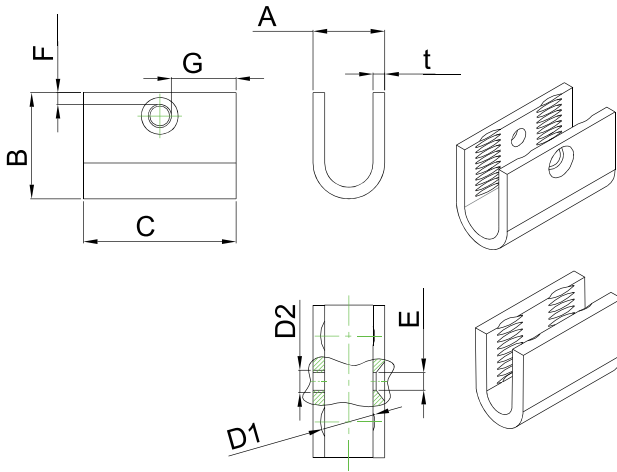
CODE KOD	CABLE SEC. / KABLO KESİTİ		ØD1	ØD2	L		Pcs./ Ad.
	Multi Core Cable Çok Tellli Kablo	Single Core Cable Tek Damar Kablo			l	h	
6335	25	35	6.8	6	58	20	1
6336	35	50	8.0	7	71	22	1
6337	50	70	9.8	8	74	25	1
6338	70	95	11.2	10	87	30	1
6339	95	120	13.2	12	91	33	1
6340	120	150	14.7	12	97	38	1
6341	150	185	16.3	12	108	38	1
6342	185	240	18.3	14	116	44	1
6343	240	300	21.0	16	128	44	1
6344	300	-	23.3	18	131	46	1

ALUMINIUM COPPER BUTT CONNECTORS BAKIR - ALÜMİNYUM EK MUF



CODE KOD	AL CABLE SEC. AL KABLO KESİTİ	CU CABLE SEC. CU KABLO KESİTİ	d1	d2	l	Pcs./ Ad.
6351	35 mm ²	16 mm ²	8.0	5.5	71.0	1
6352	50 mm ²	25 mm ²	9.8	5.5	71.5	1
6353	70 mm ²	35 mm ²	11.2	5.5	79.0	1
6354	95 mm ²	50 mm ²	13.2	5.5	79.0	1
6355	120 mm ²	70 mm ²	14.7	5.5	87.0	1
6356	150 mm ²	95 mm ²	16.3	5.5	93.3	1
6357	185 mm ²	120 mm ²	18.3	10.0	108.0	1
6358	240 mm ²	150 mm ²	21.0	10.0	116.0	1

U CLAMPS U KLEMENSLER



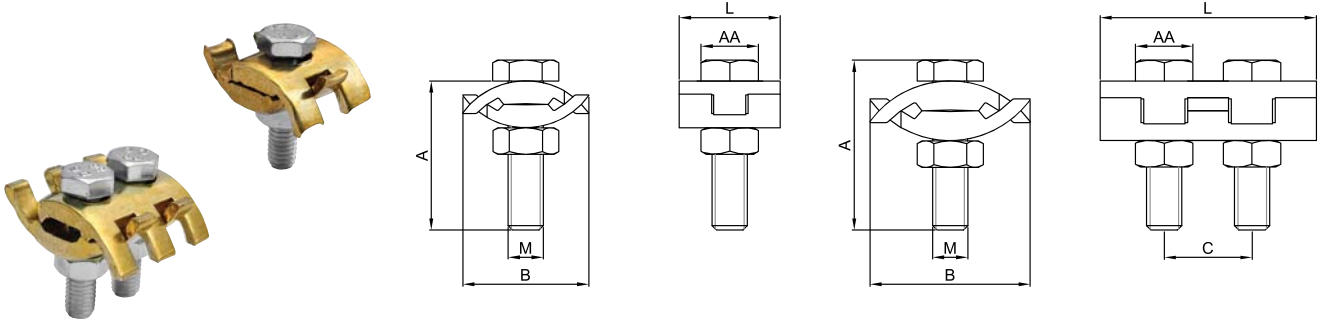
İzolasyon kapağı ürün ile birlikte verilmektedir.

Insulation cover is supplied with the product.

	MATERIAL / MATERYAL
Cover / Kapak	PA6.6 V2
Body/ Gövde	Brass / Pirinç
Screw/ Vida	Steel / Çelik

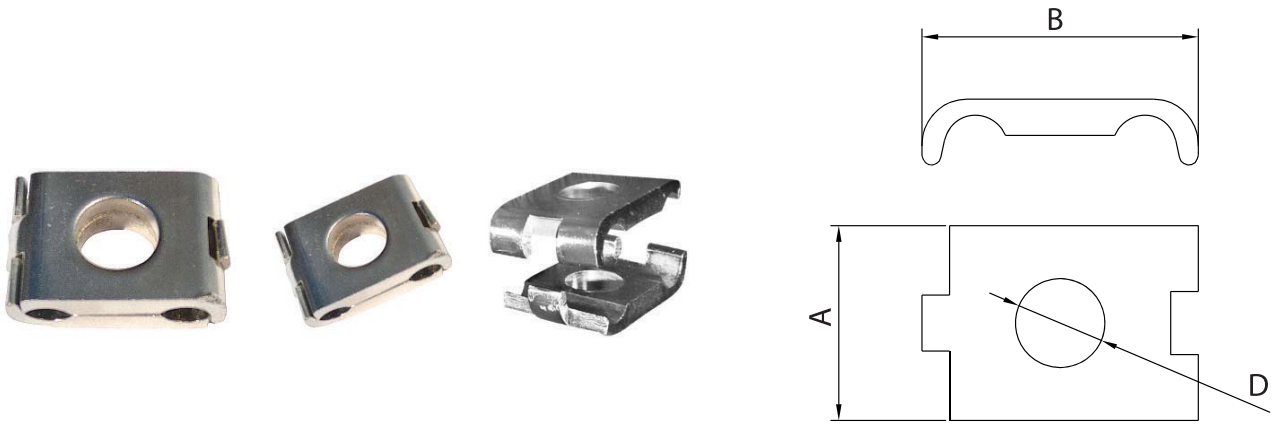
CODE KOD	CABLE SECTION KABLO KESİTİ	SCREW VİDA	A	t	B	C	D1	D2	E	F	G	Pcs. Box / Kutu Ad.
7050	6 mm ²	Steel / Çelik	8,5	1,8	13	19	M6	-	-	-	-	300
7051	10mm ²	Steel / Çelik	10	2,2	15	21	M8	-	-	-	-	250
7052	16mm ²	Steel / Çelik	12,2	2,3	18,2	27,5	M10	-	-	-	-	150
7053	25mm ²	Steel / Çelik	13,8	2,5	20	30,5	7/6"	M5	6	2,25	12	100
7054	35mm ²	Steel / Çelik	14,5	2,5	23,2	32,5	M12	M5	6	2,25	13,3	75
7055	50mm ²	Brass / Pirinç	16,2	3	25,4	39	M14	M5	6	2,75	16,6	50
7056	70mm ²	Brass / Pirinç	19,5	3,25	28,2	43,1	M16	M5	6	4,1	18,5	40
7057	95mm ²	Brass / Pirinç	21,6	3,25	31,9	45,5	M18	M6	6,5	3,5	19,5	30
7058	120mm ²	Brass / Pirinç	23,5	3,4	34	50,8	M20	M6	6,5	4	22,15	20
7059	150mm ²	Brass / Pirinç	28	4,4	39,1	53,9	M22	M6	7	4,4	23,45	10
7060	U Klemens Kayığı U Clamp Slot											100

CLAWED CLAMPS TIRNAKLI KLEMENSLER



CODE / KOD	DESCRIPTONS / ÖZELLİKLER	A	B	L	M	AA	C	Pcs. Box / K. Ad.
ONKA - 7070	No. 1 16 mm ²	25	22	17,2	M6	10	-	500
ONKA - 7071	No. 2 25 mm ²	25	26	20,2	M6	10	-	250
ONKA - 7072	No. 3 35 mm ²	25	28	30,2	M6	10	15	100
ONKA - 7073	No. 4 50 mm ²	25	33	32,4	M6	10	15	100
ONKA - 7074	No. 5 70 mm ²	35	40	35,4	M8	13	17	100
ONKA - 7075	No. 6-7 120 mm ²	35	49	45,4	M6	13	24	50

CONDANSATOR CLAMPS KONDANSATÖR KLEMENSLERİ



KOD	METRIC / METRİK	A x BD	Pcs. Box / K. Ad.
ONKA - 7094	M12 (Ø12,3)	25,5 x 39,2 mm	100
ONKA - 7095	M16 (Ø16,3)	30 x 43,3 mm	100
ONKA - 7096	M14 (Ø14,5)	25,5 x 39,2 mm	100
ONKA - 7097	M14 (Ø14,5)	30 x 43,3 mm	100
ONKA - 7098	M12 (Ø12,3)	30 x 43,3 mm	100



RAIL MOUNTING SOCKETS RAYA MONTAJ PANO PRİZİ



RAIL MOUNTING SOCKETS

Technical Features:

- Covered type
- Inlet and outlet (able to make the phase, neutral and earth connection from both sides of the top and the bottom)
- 16A, 250V
- Can be mounted onto the 35 x 7.5 rails.
- Up to 10 mm² cable connection can be made.

Rail Mounting Sockets Options:

- Inlet without LED
- Inlet-Outlet without LED
- Inlet with LED
- Inlet-Outlet with LED
- Inlet-UPS without LED
- Inlet-Outlet-UPS without LED
- Inlet-UPS with LED
- Inlet-Outlet-UPS with LED

RAYA MONTAJ PANO PRİZLERİ

Teknik Özellikler:

- Kapaklı tip
- Giriş ve çıkış özelliği (faz, nötr ve toprak bağlantısı, pano prizinin üstünden ve altından olmak üzere her iki yönden yapılabilmektedir.)
- 16A, 250V
- 35 x 7,5 raya monte edilebilir.
- 10 mm² kadar kablo bağlantısı yapılabilir.

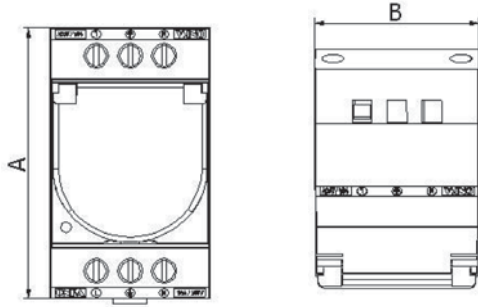
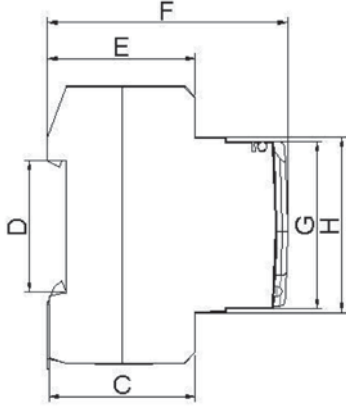
Pano Prizi Opsiyonları:

- Tek girişli-kapaklı –topraklamalı
- Çift girişli-kapaklı –topraklamalı
- Tek girişli-kapaklı-ledli –topraklamalı
- Çift girişli-kapaklı-ledli –topraklamalı
- Tek girişli-kapaklı –topraklamalı+UPS li
- Çift girişli-kapaklı –topraklamalı+UPS li
- Tek girişli-kapaklı-ledli –topraklamalı+ups li
- Çift girişli-kapaklı-ledli –topraklamalı+ups li

RAIL MOUNTING SOCKET

RAYA MONTAJ PANO PRİZİ

RAIL MOUNTING SOCKETS / RAYA MONTAJ PANO PRİZLERİ



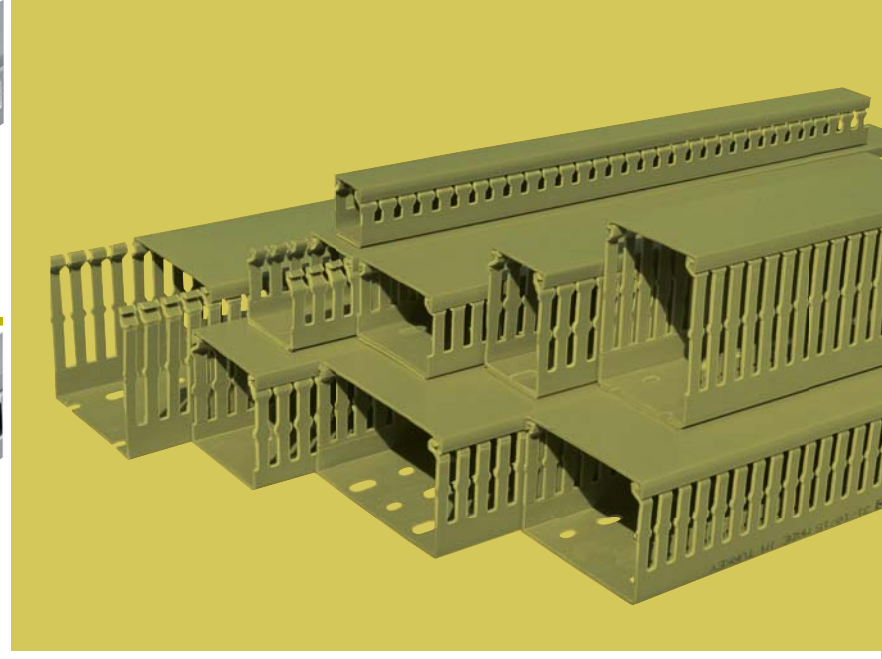
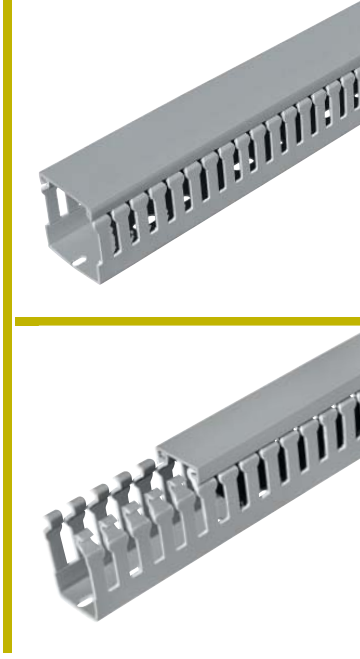
MATERIAL / MATERYAL	
Body / Gövde	PA6.6 V2
Bridge / Köprü	Copper / Bakır
Contact / Kontak	CK45 Steel / Çelik
Screw/ Vida	Steel / Çelik
Temp./ Sıcaklık	-40 °C, +140 °C
Leakage proof/ Sızdırmazlık	IP20
Cable Strip L./ Soyma Boyu	12 mm
Torque / Tork	0,8 Nm
DATA / VERİ	
TSE / CE	
Voltage / Gerilim	750 V
Current / Akım	24 A
Section / Kesit	6,0 mm ²
Norm	EN-60947-7-1

DESCRIPTIONS / ÖZELLİKLER

CODE KOD	Descriptions Açıklama	Current Akım (A)	Voltage Voltaj (V)	A (mm)	B (mm)	C (mm)	D (mm)	E (mm)	F (mm)	G (mm)	H (mm)	Pcs./ Ad.
7160	Inlet without led / Tek girişli ledsiz topraklı	16,0	250	76,4	45,0	39,8	35,0	40,3	65,0	45,5	47,8	10
7161	Inlet & Outlet without led / Çift girişli ledsiz topraklı	16,0	250	76,4	45,0	39,8	35,0	40,3	65,0	45,5	47,8	10
7162	Inlet with led / Tek girişli ledli topraklı	16,0	250	76,4	45,0	39,8	35,0	40,3	65,0	45,5	47,8	10
7163	Inlet & Outlet with led / Çift girişli ledli topraklı	16,0	250	76,4	45,0	39,8	35,0	40,3	65,0	45,5	47,8	10
7164	Inlet & UPS without led / Tek girişli ledsiz UPSli	16,0	250	76,4	45,0	39,8	35,0	40,3	65,0	45,5	47,8	10
7165	Inlet & Outlet UPS without led / Çift girişli ledsiz UPSli	16,0	250	76,4	45,0	39,8	35,0	40,3	65,0	45,5	47,8	10
7166	Inlet & UPS with led / Tek girişli ledli UPSli	16,0	250	76,4	45,0	39,8	35,0	40,3	65,0	45,5	47,8	10
7167	Inlet & Outlet UPS with led / Çift girişli ledli UPSli	16,0	250	76,4	45,0	39,8	35,0	40,3	65,0	45,5	47,8	10



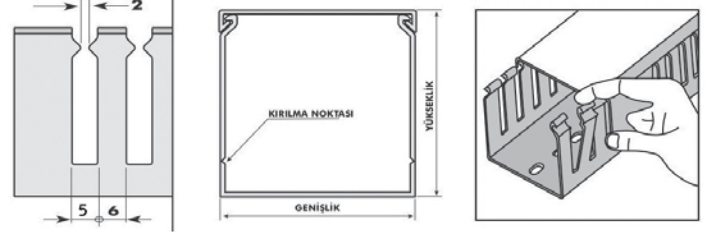
CABLE TRUNKING KABLO KANALLARI



CABLE TRUNKING

Teknik Özellikler:

- High impact resistant rigid PVC material
- UL94V0 incombustibility standart
- Easy closing cover system
- Frangibility by the truncated sidecutters
- 2 meters standart length
- 390 kg/cm tensile strength



KABLO KANALLARI

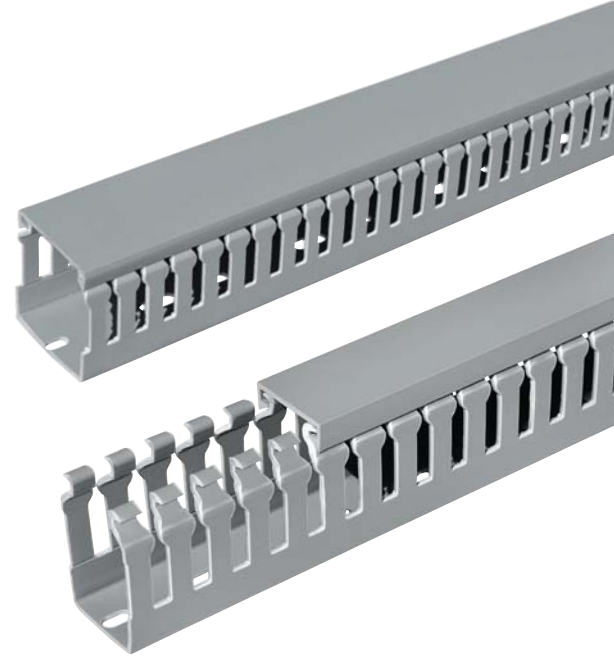
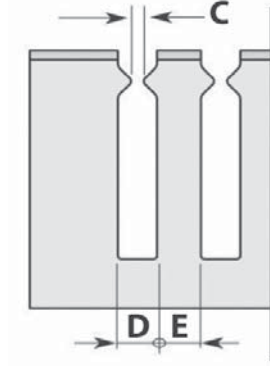
Teknik Özellikler:

- Yüksek darbeye dayanıklı sert PVC malzeme
- UL94V0 yanmazlık standardı
- Kolay kapanabilen kapak sistemi
- Yan kesikler sayesinde kolay kırılabilme imkanı
- 2 m. standart boy
- 390 kg/cm gerileme gücü

CABLE TRUNKING

KABLO KANALLARI

CABLE TRUNKING / KABLO KANALLARI



MATERIAL / MATERYAL

Material / Materyal	PVC
Resistance of Dielectric / Direnç	260 kW / cm
Working Temperature / Çalışma Sıcaklığı	(-15 °C, +70 °C)
Resistance of Tension / Gerilme Derecesi	30 N / mm ²
Colour / Renk	RAL 7030 Grey / Gri
Dimensionally Temperature Resistance / Ölçülebilir Sıcaklık Direnci	Up to 65°C, 65°C'ye kadar

DESCRIPTIONS / ÖZELLİKLER

CODE KOD	HALOGEN FREE CODE / KOD	A x B (mm)	C (mm)	D (mm)	E (mm)	Meter/Metre
7180	7310	25 x 30	2	5	6	84
7181	7311	25 x 40	2	5	6	84
7182	7312	25 x 60	2	5	6	48
7183	7313	40 x 40	2	5	6	60
7184	7314	40 x 60	2	5	6	36
7186	7315	40 x 80	2	5	6	40
7177	7316	60 x 40	2	5	6	40
7185	7317	60 x 60	2	5	6	24
7188	7318	60 x 80	2	5	6	24
7187	7319	80 x 60	2	5	6	24
7178	7320	80 x 80	2	5	6	24
7179	7321	100 x 60	2	5	6	24

CABLE TRUNKING ADHESIVE TYPE / KABLO KANALLARI YAPIŞKANLI



DESCRIPTIONS / ÖZELLİKLER						
CODE KOD	HALOGEN FREE CODE / KOD	A x B (mm)	C (mm)	D (mm)	E (mm)	Meter/Metre
7220	7380	25 x 30	2	5	6	84
7221	7381	25 x 40	2	5	6	84
7222	7382	25 x 60	2	5	6	48
7223	7383	40 x 40	2	5	6	60
7224	7384	40 x 60	2	5	6	36
7225	7385	40 x 80	2	5	6	40
7226	7386	60 x 40	2	5	6	40
7227	7387	60 x 60	2	5	6	24
7228	7388	60 x 80	2	5	6	24
7229	7389	80 x 60	2	5	6	24
7230	7390	80 x 80	2	5	6	24
7231	7391	100 x 60	2	5	6	24

WHITE PLASTER CABLE TRUNKING / SIVA ÜSTÜ BEYAZ KABLO KANALI



DESCRIPTIONS / ÖZELLİKLER			
CODE KOD	HALOGEN FREE CODE / KOD	WIDTH x HEIGHT / EN x BOY (mm)	Meter/Metre
7200	7350	16 x 16	256
7201	7351	25 x 16	160
7202	7352	25 x 25	100
7203	7353	40 x 25	60
7204	7354	40 x 40	48

WHITE PLASTER CABLE TRUNKING ADHESIVE / YAPIŞKANLI SIVA ÜSTÜ BEYAZ KABLO KANALI



DESCRIPTIONS / ÖZELLİKLER			
CODE KOD	HALOGEN FREE CODE / KOD	WIDTH x HEIGHT / EN x BOY (mm)	Meter/Metre
7210	7360	16 x 16	224
7211	7361	25 x 16	140
7212	7362	25 x 25	100
7213	7363	40 x 25	60
7214	7364	40 x 40	48

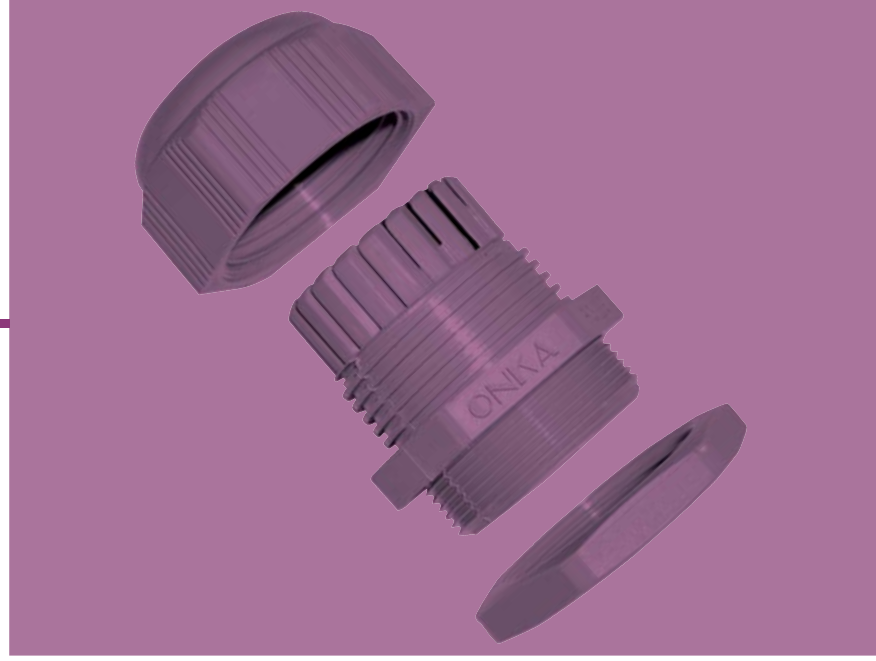
CABLE TRUNKING ADHESIVE TYPE / KABLO KANALLARI YAPIŞKANLI



DESCRIPTIONS / ÖZELLİKLER			
CODE KOD	HALOGEN FREE CODE / KOD	WIDTH / EN (mm)	Meter/Metre
7290	7295	25	140
7291	7296	40	80
7292	7297	60	50
7293	7298	80	50
7294	7299	100	40



POLYAMIDE CABLE GLAND
POLİAMİT KABLO RAKORLARI



POLİAMİT KABLO RAKORU

Poliamid 6 ve 6.6 birer termoplastik polimerlerdir. Isıtıldıkları zaman yumuşar ve akar, soğutuldukları zaman sertleşir ve katılaşır. Bu, termoplastiklerin tekrar edilebilir bir özelliğidir. Poliamid 6.6'nın poliamid 6'ya bir takım üstünlükleri vardır.

Bunları özetlersek;

1- Poliamid 6.6 Poliamid 6'ya göre daha yüksek ısısal dayanıma sahiptir.

2- Erime veya yumuşama noktası, yük altında deformasyon sıcaklığı ve maximum çalışma sıcaklığı daha yüksektir.

3- Poliamid 6.6 Poliamid 6'ya göre daha güçlü bir yapıya sahiptir.

4- Kopma mukavemeti, eğilme mukavemeti, darbe mukavemeti, yüksek aşınma mukavemeti, çekme eğilme ve basma elastiklik modülü daha yüksektir.

Tüm bu termal ve mekaniksel üstünlükler Poliamid 6.6 ile üretilen ürünlerin dış ortam koşullarına Poliamid 6'ya göre daha dayanıklı olduğunu göstermektedir.

ONKA Elektrik olarak bizler rakor ürünlerimizde Poliamid 6.6'yı kullanıyoruz ve ürünlerimizin piyasada Poliamid 6 ile üretim emsallerinden üstün olduğunu net bir şekilde kabul ediyoruz.

POLYAMIDE CABLE GLAND

Polyamide 6 and 6.6 are thermoplastic polymers. Both get soft and pour when heated, both get harden and solidified when cooled. This is the repeatable characteristic of polymers.

Polyamide 6.6 has some advantages comparing to Polyamide 6, as follows :

1- Polyamide 6.6 has higher thermal endurance comparing to Polyamide 6.

2- Melting and softening points, deformation temperature under load and maximum operating temperature are higher for Polyamide 6.6.

3- Polyamide 6.6 has a stronger material structure than Polyamide 6.

4- Tensile strength, bending resistance, impact endurance, high abrasive resistance, tensile, flexural and compressive elasticity modules are higher for Polyamide 6.6.

All of these thermal and mechanical advantages prove the better durability of products made of Polyamide 6.6 in outer environment conditions comparing to Polyamide 6.

On behalf of Onka Electric, we are using Polyamide 6.6 for our Cable Glands production and we clearly accept the superiority comparing to competing products made of Polyamide 6 in the market.

PG TYPE IP 68 POLYAMIDE CABLE GLAND PG TİP IP 68 POLİAMİT KABLO RAKORU

MATERIAL / MATERYAL

Thread Norms / Diş Normu	DIN 40430/EN 60423
Leakage proof / Sızdırmazlık	IP 68
Heat Resistivity / Isı Dayanımı	(-30 °C, +80 °C)
Raw Material / Hammadde	Polyamide 66 / Poliamit 66
Colour / Renk	RAL 7001 / RAL 7035 / RAL 9005
Norm	EN 50262



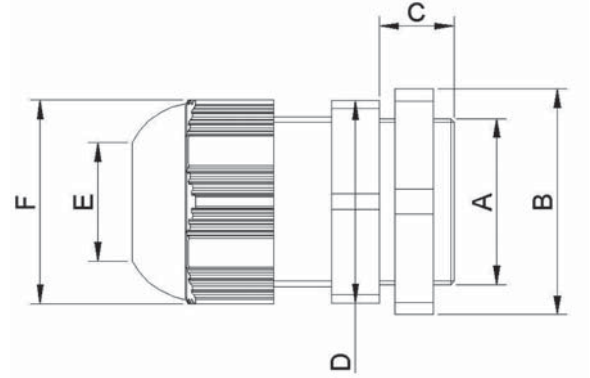
Ral: 7001



Ral: 7035



Ral: 9005



DESCRIPTIONS / ÖZELLİKLER

RAL 7001 CODE	RAL 7035 CODE	RAL 9005 CODE	SIZE	A (mm)	B (mm)	C (mm)	D (mm)	E (mm) Daralma Çapı Önce - Sonra	F (mm)	Pcs. / Ad.
ONKA - 9000	ONKA - 9101	ONKA - 9102	PG-7	12.5	19.0	7.7	15.0	3 - 6	15.0	450
ONKA - 9001	ONKA - 9111	ONKA - 9112	PG-9	15.0	22.0	7.7	19.0	4 - 8	19.0	300
ONKA - 9002	ONKA - 9121	ONKA - 9122	PG-11	18.4	24.0	9.5	22.0	5 - 10	22.0	200
ONKA - 9003	ONKA - 9131	ONKA - 9132	PG-13.5	20.0	26.0	9.5	24.0	6 - 12	24.0	175
ONKA - 9004	ONKA - 9141	ONKA - 9142	PG-16	22.0	30.0	9.5	27.0	10 - 14	27.0	125
ONKA - 9005	ONKA - 9151	ONKA - 9152	PG-21	28.0	36.0	10.0	33.0	13 - 18	33.0	75
ONKA - 9006	ONKA - 9161	ONKA - 9162	PG-29	37.0	46.0	11.0	42.0	18 - 25	42.0	40
ONKA - 9007	ONKA - 9171	ONKA - 9172	PG-36	47.0	60.0	17.0	52.0	22 - 32	53.0	20
ONKA - 9008	ONKA - 9181	ONKA - 9182	PG-42	54.0	65.0	13.6	59.4	32 - 38	60.0	15
ONKA - 9009	ONKA - 9191	ONKA - 9192	PG-48	60.0	70.0	13.6	65.0	37 - 44	65.3	12

METRIC TYPE IP 68 POLYAMIDE CABLE GLAND METRİK TİP IP 68 POLİAMİT KABLO RAKORU

MATERIAL / MATERYAL

Thread Norms / Diş Normu	DIN 40430/EN 60423
Leakage proof / Sızdırmazlık	IP 68
Heat Resistivity / Isı Dayanımı	(-30 °C, +80 °C)
Raw Material / Hammadde	Polyamide 66 / Poliamit 66
Colour / Renk	RAL 7001 / RAL 7035 / RAL 9005
Norm	EN 50262



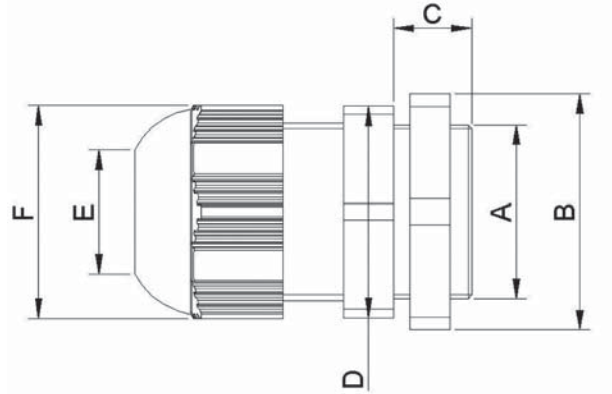
Ral: 7001



Ral: 7035



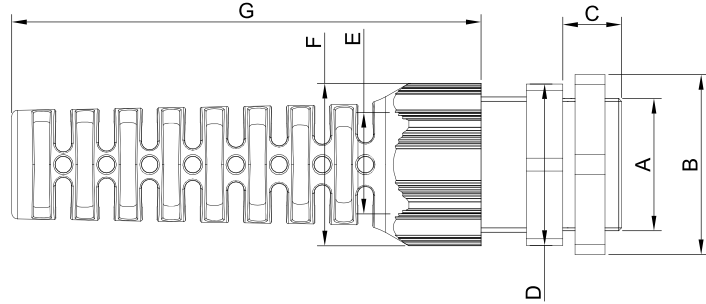
Ral: 9005



DESCRIPTIONS / ÖZELLİKLER

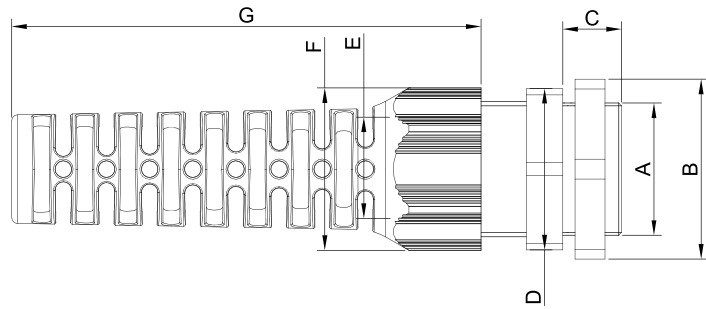
RAL 7001 CODE	RAL 7035 CODE	RAL 9005 CODE	SIZE	A (mm)	B (mm)	C (mm)	D (mm)	E (mm) Daralma Çapı Önce - Sonra	F (mm)	Pcs. / Ad.
ONKA - 9050	ONKA - 9201	ONKA - 9202	M 12 x 1,5	12.0	19.0	6.5	15.0	3 - 6,5	15.0	450
ONKA - 9051	ONKA - 9211	ONKA - 9212	M 16 x 1,5	16.0	22.0	8.5	22.0	5 - 10	22.0	200
ONKA - 9052	ONKA - 9221	ONKA - 9222	M 20 x 1,5	20.0	26.0	10.0	24.0	6 - 12	24.0	150
ONKA - 9053	ONKA - 9231	ONKA - 9232	M 25 x 1,5	25.0	32.0	11.0	33.0	13 - 18	33.0	75
ONKA - 9054	ONKA - 9241	ONKA - 9242	M 32 x 1,5	32.0	41.0	15.7	42.0	18 - 25	42.0	40
ONKA - 9055	ONKA - 9251	ONKA - 9252	M 40 x 1,5	40.0	50.0	13.0	52.0	24 - 32	54.0	20

PG TYPE IP 68 SPIRAL CABLE GLANDS / PG SİRİAL KABLO RAKORU



COLOUR	PG CODE	PG SIZE	A (mm)	B (mm)	C (mm)	D (mm)	E (mm)	F (mm)	G (mm)	Pcs. /Ad.
Ral: 7001	ONKA - 9275	PG 7	12,5	19,0	7,7	15,0	3-6	16,0	46,0	200
	ONKA - 9281	PG 11	18,4	25,0	9,5	22,0	5-10	23,0	68,0	100
	ONKA - 9284	PG 13.5	20,0	27,0	9,0	24,0	6,12	24,0	77,0	80
	ONKA - 9290	PG 21	28,0	36,0	10,0	33,0	13-18	34,0	107,0	30
Ral: 7035	ONKA - 9276	PG 7	12,5	19,0	7,7	15,0	3-6	16,0	46,0	200
	ONKA - 9282	PG 11	18,4	25,0	9,5	22,0	5-10	23,0	68,0	100
	ONKA - 9285	PG 13.5	20,0	27,0	9,0	24,0	6,12	24,0	77,0	80
	ONKA - 9291	PG 21	28,0	36,0	10,0	33,0	13-18	34,0	107,0	30
Ral: 9005	ONKA - 9277	PG 7	12,5	19,0	7,7	15,0	3-6	16,0	46,0	200
	ONKA - 9283	PG 11	18,4	25,0	9,5	22,0	5-10	23,0	68,0	100
	ONKA - 9286	PG 13.5	20,0	27,0	9,0	24,0	6,12	24,0	77,0	80
	ONKA - 9292	PG 21	28,0	36,0	10,0	33,0	13-18	34,0	107,0	30

METRIC TYPE IP 68 SPIRAL CABLE GLANDS / METRİK SİRİAL KABLO RAKORU



COLOUR	METRIC CODE	METRIC SIZE	A (mm)	B (mm)	C (mm)	D (mm)	E (mm)	F (mm)	G (mm)	Pcs. /Ad.
Ral: 7001	ONKA - 9475	M 12 x 1.5	12,0	19,0	6,4	15,0	3-6,5	16,0	46,0	200
	ONKA - 9478	M 16 x 1.5	16,0	22,0	8,4	22,0	5-10	23,0	68,0	100
	ONKA - 9481	M 20 x 1.5	20,0	27,0	9,7	24,0	6-12	25,0	77,0	80
	ONKA - 9484	M 25 x 1.5	25,0	33,0	10,3	33,0	13-18	34,0	107,0	30
Ral: 7035	ONKA - 9476	M 12 x 1.5	12,0	19,0	6,4	15,0	3-6,5	16,0	46,0	200
	ONKA - 9479	M 16 x 1.5	16,0	22,0	8,4	22,0	5-10	23,0	68,0	100
	ONKA - 9482	M 20 x 1.5	20,0	27,0	9,7	24,0	6-12	25,0	77,0	80
	ONKA - 9485	M 25 x 1.5	25,0	33,0	10,3	33,0	13-18	34,0	107,0	30
Ral: 9005	ONKA - 9477	M 12 x 1.5	12,0	19,0	6,4	15,0	3-6,5	16,0	46,0	200
	ONKA - 9480	M 16 x 1.5	16,0	22,0	8,4	22,0	5-10	23,0	68,0	100
	ONKA - 9483	M 20 x 1.5	20,0	27,0	9,7	24,0	6-12	25,0	77,0	80
	ONKA - 9486	M 25 x 1.5	25,0	33,0	10,3	33,0	13-18	34,0	107,0	30

PG TYPE POLIAMIDE NUTS / PG POLYAMİT SOMUN



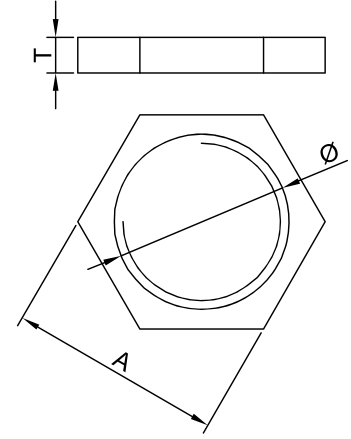
Ral: 7001



Ral: 7035



Ral: 9005



RAL 7001 CODE	RAL 7035 CODE	RAL 9005 CODE	SIZE	A (mm)	T (mm)	Ø (mm)	Pcs./Ad.
ONKA - 9070	ONKA - 9401	ONKA - 9402	PG-7	19,0	5,0	12,5	250
ONKA - 9071	ONKA - 9411	ONKA - 9412	PG-9	22,0	5,0	15,5	250
ONKA - 9072	ONKA - 9421	ONKA - 9422	PG-11	24,0	5,0	18,5	250
ONKA - 9073	ONKA - 9431	ONKA - 9432	PG-13.5	26,0	5,0	20,5	250
ONKA - 9074	ONKA - 9441	ONKA - 9442	PG-16	30,0	5,0	22,5	250
ONKA - 9075	ONKA - 9451	ONKA - 9452	PG-21	36,0	5,8	28,5	250
ONKA - 9076	ONKA - 9461	ONKA - 9462	PG-29	46,0	6,5	37,5	150
ONKA - 9077	ONKA - 9471	ONKA - 9472	PG-36	60,0	7,2	47,5	100
ONKA - 9078	ONKA - —	ONKA - —	PG-42	65,0	7,4	55,00	100
ONKA - 9079	ONKA - —	ONKA - —	PG-48	70	7,8	60,00	100

METRIC TYPE POLIAMIDE NUTS / METRİK POLIAMİT SOMUN



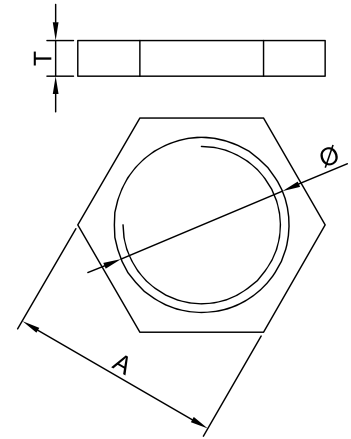
Ral: 7001



Ral: 7035

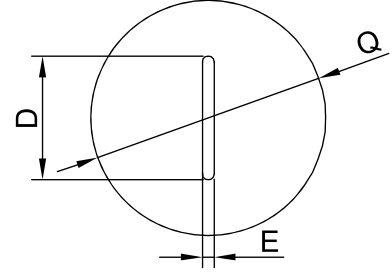
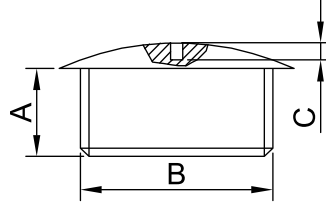


Ral: 9005



RAL 7001 CODE	RAL 7035 CODE	RAL 9005 CODE	SIZE	A (mm)	T (mm)	Ø (mm)	Pcs./Ad.
ONKA - 9010	ONKA - 9011	ONKA - 9012	M 12 x 1.5	19,0	5,0	12,0	250
ONKA - 9013	ONKA - 9014	ONKA - 9015	M 16 x 1.5	22,0	5,0	16,0	250
ONKA - 9016	ONKA - 9017	ONKA - 9019	M 20 x 1.5	26,0	5,0	20,0	250
ONKA - 9020	ONKA - 9021	ONKA - 9022	M 25 x 1.5	32,0	6,0	25,0	250
ONKA - 9023	ONKA - 9024	ONKA - 9025	M 32 x 1.5	41,0	6,5	32,0	250
ONKA - 9026	ONKA - 9027	ONKA - 9028	M 40 x 1.5	50,0	6,5	40,0	250

PG TYPE IP 54 POLIAMIDE BLINDSTOP / PG POLIAMİT KÖRTAPA



Ral: 7001



Ral: 7035



Ral: 9005

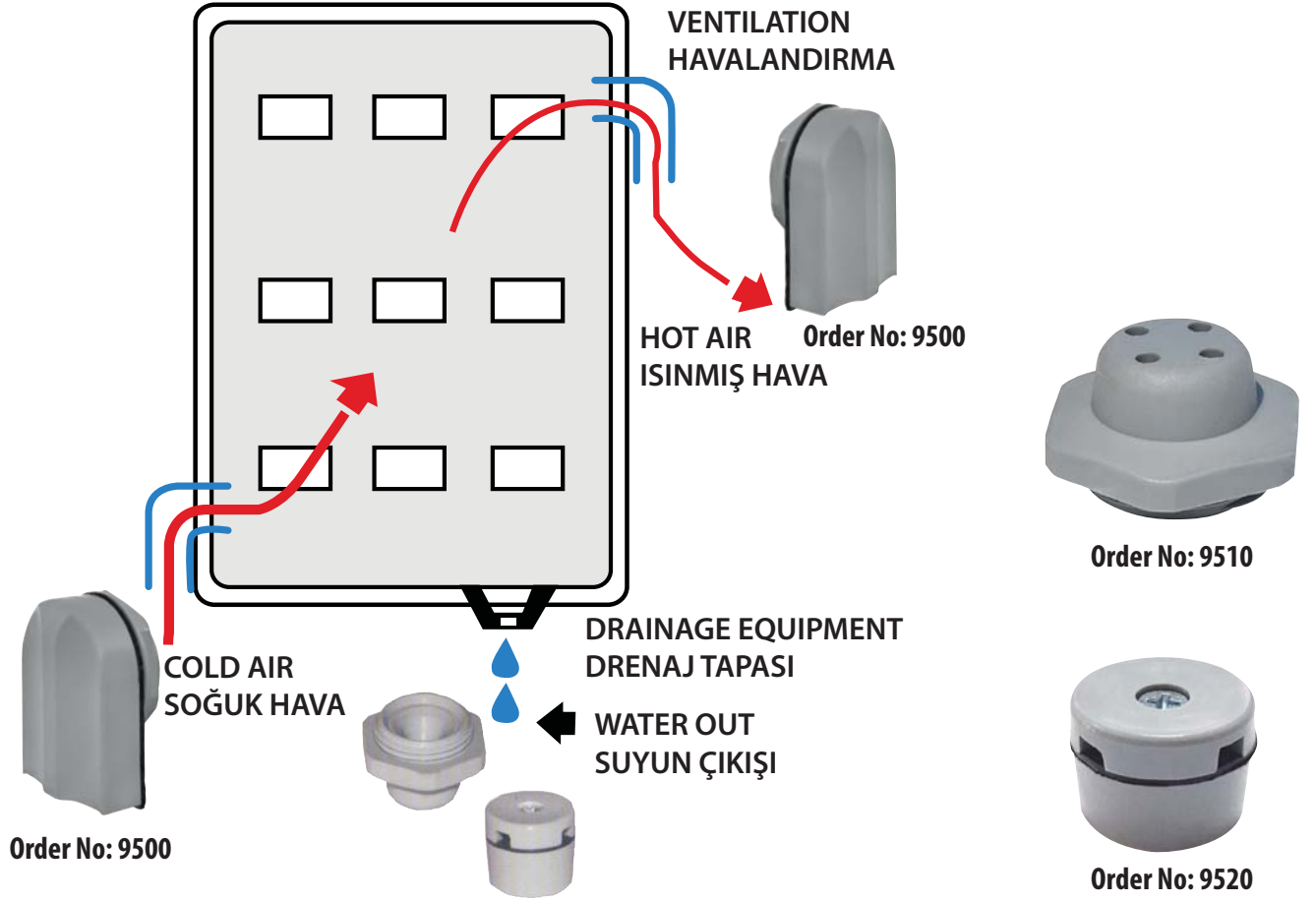
DESCRIPTIONS / ÖZELLİKLER

RAL 7001 CODE	RAL 7035 CODE	RAL 9005 CODE	SIZE	A (mm)	B (mm)	C (mm)	D (mm)	E (mm)	Q (mm)	Pcs. / Ad.
ONKA - 9090	ONKA - 9301	ONKA - 9302	PG-7	6,0	12,1	2,0	8,0	1,4	15,0	250
ONKA - 9091	ONKA - 9311	ONKA - 9312	PG-9	6,0	15,0	2,0	12,0	1,4	19,0	250
ONKA - 9092	ONKA - 9321	ONKA - 9322	PG-11	11,3	18,5	2,0	11,3	1,4	22,5	250
ONKA - 9093	ONKA - 9331	ONKA - 9332	PG-13.5	11,5	20,5	2,0	11,5	1,4	24,5	250
ONKA - 9094	ONKA - 9341	ONKA - 9342	PG-16	10,3	22,5	2,0	14,0	1,4	27,5	250
ONKA - 9095	ONKA - 9351	ONKA - 9352	PG-21	8,0	28,0	2,0	15,0	2,1	33,0	250
ONKA - 9096	ONKA - 9361	ONKA - 9362	PG-29	9,0	37,5	2,0	15,0	2,1	44,4	150
ONKA - 9097	ONKA - 9371	ONKA - 9372	PG-36	10,0	47,5	2,5	15,0	2,1	55,5	100

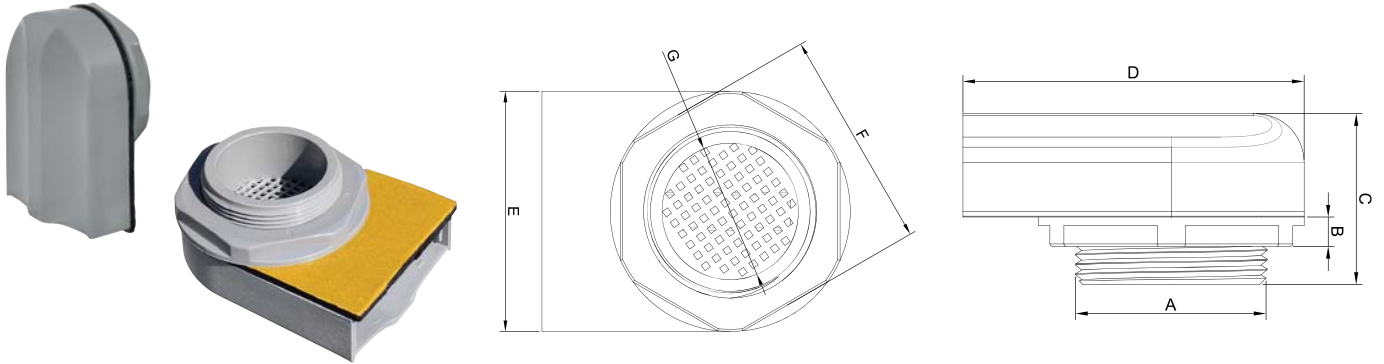
IP 54 RUBBER BLINDSTOP / KAUÇUK KÖRTAPA






CODE	SIZE	MOUNTING DIA C	Pcs. / Ad.
ONKA-9490	PG-13.5	17	100
ONKA-9491	PG-16	22.8	100
ONKA-9492	PG-21	28.6	100
ONKA-9493	PG-29	37.3	100
ONKA-9494	PG-36	47	100
ONKA-9495	PG-42	55	50

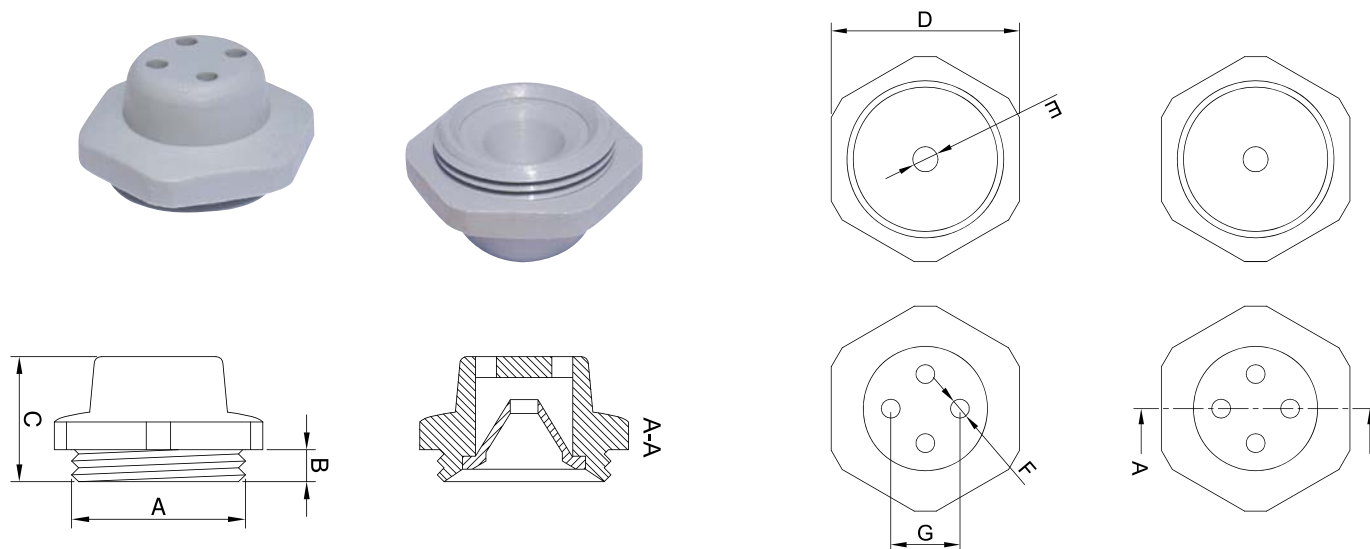





PANEL AIR FLOW BLINDSTOP / M40 x 1.5 PANO HAVALANDIRMA APARATI



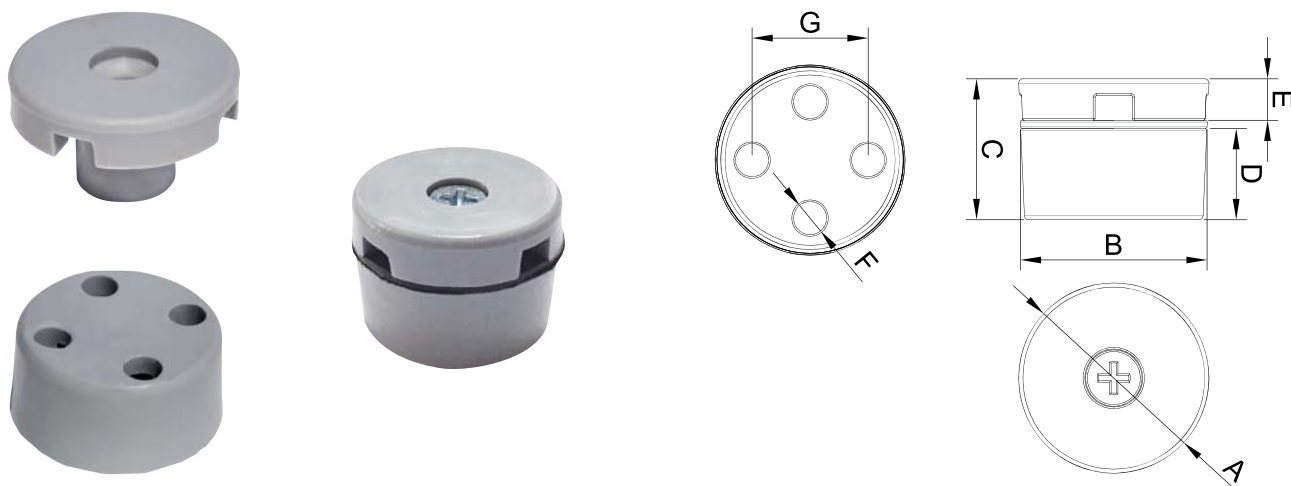
COLOUR	CODE	A (mm)	B (mm)	C (mm)	D (mm)	E (mm)	F (mm)	G (mm)	Pcs. /Ad.
 Ral: 7001	ONKA - 9500	M 40 x 1.5	6,0	35,0	70,0	54,5	50,0	31,0	50
 Ral: 7035	ONKA - 9501	M 40 x 1.5	6,0	35,0	70,0	54,5	50,0	31,0	50
 Ral: 9005	ONKA - 9502	M 40 x 1.5	6,0	35,0	70,0	54,5	50,0	31,0	50

IP 54 PANEL AIR FLOW EQUIPMENT / M25 x 1.5 DRENAJ TAPASI



COLOUR	CODE	A (mm)	B (mm)	C (mm)	D (mm)	E (mm)	F (mm)	G (mm)	Pcs. /Ad.
 Ral: 7001	ONKA - 9510	M 25 x 1.5	4,4	18,0	30,0	4,0	3,0	11	100
 Ral: 7035	ONKA - 9511	M 25 x 1.5	4,4	18,0	30,0	4,0	3,0	11	100
 Ral: 9005	ONKA - 9512	M 25 x 1.5	4,4	18,0	30,0	4,0	3,0	11	100

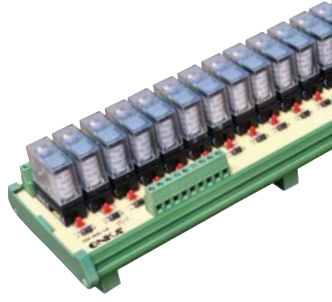
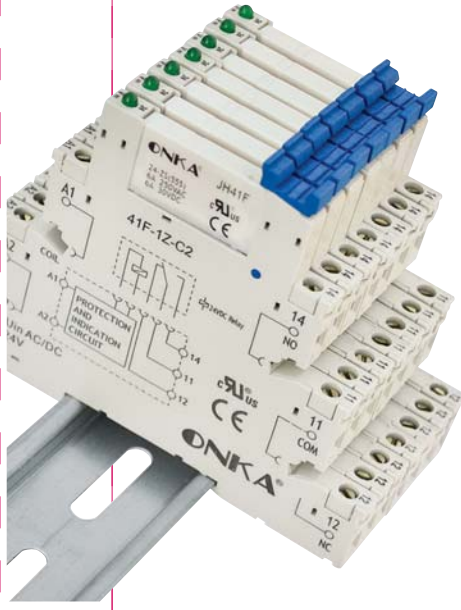
IP 54 DRAINAGE EQUIPMENT / DRENAJ TAPASI



COLOUR	CODE	A (mm)	B (mm)	C (mm)	D (mm)	E (mm)	F (mm)	G (mm)	Pcs. /Ad.
 Ral: 7001	ONKA - 9520	22,7	22,5	17,0	11,0	5,0	4,0	14,0	100
 Ral: 7035	ONKA - 9521	22,7	22,5	17,0	11,0	5,0	4,0	14,0	100
 Ral: 9005	ONKA - 9522	22,7	22,5	17,0	11,0	5,0	4,0	14,0	100



ELECTRONIC TERMINAL BLOCKS ELEKTRONİK KLEMENSLER



ELECTRONIC TERMINAL BLOCKS & RELAY MODULES

Technical Features:

- Electronic terminal blocks provide connection with push-in system method.
- Diode cards
- Lamp testing modules
- Optocoupler modules
- Relay cards modules

ELEKTRONİK KLEMENSLER ve RÖLE MODÜLLER

Teknik Özellikler:

- Elektronik devreli klemensler push-in sistem yöntemi ile bağlantı imkanı sunmaktadır.
- Diyot kartları
- Lamba test kartları
- Optokupler modüller
- Röle modülleri
- Slim röleler

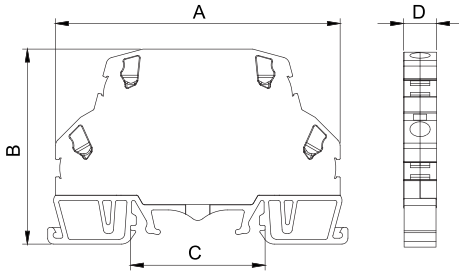
PUSH IN

ELECTRONIC TERMINAL BLOCKS & RELAY MODULES

ELEKTRONİK KLEMENSLER ve RÖLE MODÜLLER

PUSH-IN ELECTRONIC TERMINAL BLOCKS RELAYS ELEKTRONİK DEVRELİ KLEMENSLER

PUSH IN



Dimensions Ölçüler (mm)	A	B	C	D
	73,0	50,0	34,5	8,5

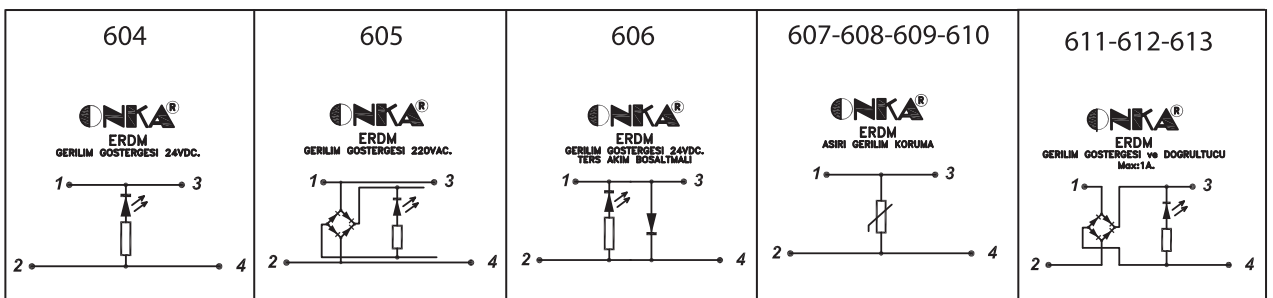
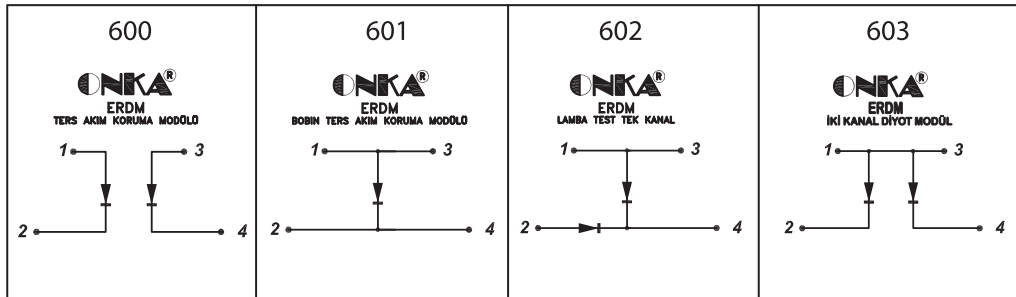
MATERIAL / MATERYAL

Body / Gövde	PA6.6 V2
Bridge / Köprü	Copper / Bakır
Orange Button Turuncu Buton	PA6.6 V2
Spring / Yay	Stainless Steel / Paslanmaz Çelik
Temp / Sıcaklık	-40 °C, +140 °C
Cable Strip L. / Soyma Boyu	9 mm

ACCESSORIES / AKSESUARLAR

Stopper / Durdurucu	1202,1222,1212
Group Sticker/Grup Etiketi	1232
Marking / Markalama	9770 / 4440 / 4442 / 9540

CODE KOD	DESCRIPTIONS ÖZELLİKLER
ONKA-600-ERDM	Reverse Current Protection Module Ters Akım Koruma Modülü
ONKA-601-ERDM	Coil Reverse Current Protection Module Bobin Ters Akım Koruma Modülü
ONKA-602-ERDM	Lamp Testing Module Single Lamba Test Modülü Tekli
ONKA-603-ERDM	Two Channel Diode Module İki Kanallı Diyot Modül
ONKA-604-ERDM	Voltage Meter 204 VDC. Gerilim Göstergesi 24 VDC.
ONKA-605-ERDM	Voltage Meter 220 VAC. Gerilim Göstergesi 220 VAC.
ONKA-606-ERDM	Voltage Meter, Reverse Current Dump 24 VDC. Gerilim Göstergesi Ters Akım Boşaltmalı 24 VDC.
ONKA-607-ERDM	Surge Protection (Varistor) 30 V. Aşırı Gerilim Koruma 30 V.
ONKA-608-ERDM	Surge Protection (Varistor) 75 V. Aşırı Gerilim Koruma 75 V.
ONKA-609-ERDM	Surge Protection (Varistor) 130 V. Aşırı Gerilim Koruma 130 V.
ONKA-610-ERDM	Surge Protection (Varistor) 275 V. Aşırı Gerilim Koruma 275 V.
ONKA-611-ERDM	Voltage Meter, Rectifier 24 VAC. Gerilim Göstergesi - Doğrultma 24 VAC.
ONKA-612-ERDM	Voltage Meter, Rectifier 110 VAC. Gerilim Göstergesi - Doğrultma 110 VAC.
ONKA-613-ERDM	Voltage Meter, Rectifier 220 VAC. Gerilim Göstergesi - Doğrultma 220 VAC.



ELECTRONIC TERMINAL BLOCKS ELEKTRONİK KLEMENSLER

PUSH IN



600

Reverse Current Protection Module / Ters Akım Koruma

Description: Prevents reverse current in case of DC voltage. When connection of coil circuit is cut off, if any contactor, relay or valve is used in DC current, reverse electromotive force which reaches 1000V can be generated. The reverse electromotive force can damage to circuit. This incident is faced in case of coils used in DC current.

Özelliği: DC Gerilimlerde bobin devrelerinde akımın ters gelmesini engeller. Herhangi bir kontaktör, röle, valf eğer DC akımda kullanılıyor ise bu bobin devrelerinin elektriklerini kestiğimiz anda 1000 V civarına ulaşabilecek ters EMK voltaj oluşabilmektedir. Bu zıt EMK'da bobinden önceki devreye oldukça zarar verebilir. Bu olay DC akımda kullanılan bobinler için geçerlidir.

Coil Reverse Current Protection Module / Bobin Ters Akım Koruma

601

602

Lamp Testing Module One Channel / Lamba Test Kartları Tek Kanal

Description: Controls whether the lamps in the signal circuits are stable. Signal lamps in electrical panels or leds in mimic diagrams used in large facilities. However, in case of lamp or led failure, any problem in facilities cannot be emerged. Therefore stability of these lamps or leds need to be tested periodically. The testing can be applied by a button on lamp testing card. It is preferred because it is terminal connection where the diode is needed. Diodes are used as 1a and 700v.

Özelliği: Sinyal devrelerinde lambaların sağlam olup olmadığını kontrol eder. Elektrik panolarında kullanılan sinyal lambaları veya büyük tesislerde kullanılan mimik diyagramlardaki led aydınlatmalar bizlere herhangi bir sistemin çalıştığını veya arızası olduğunu bildirirler. Ancak ampullerinin patlaması veya led'in bozulması durumunda tesisteki büyük bir arıza durumunu göremeyebiliriz. O yüzden bu lambaların belli aralıklarla sağlamlığının test edilmesi gerekmektedir. Lamba test olarak kullanılan kartlar bu test işlemi bir buton üzerinden sistemi bozmadan yapmamıza olanak tanır. Diyot ihtiyacı olan yerlerde klemens bağlantısı olmasından dolayı tercih edilir.

Lamp Testing Module Two Channel / Lamba Test Kartları İki Kanal

603

604 - 605

Voltage Meter / Gerilim Göstergeleri

Description: Indicates the on/off action with led for 24VDC or 220VAC in electrical systems

Özelliği: Yapılan elektrik sistemlerindeki 24VDC için VAR/YOK durumunu izler. Üzerinde bulunan LED ışık sayesinde bağlı bulunduğu elektrik sistemindeki 24VDC gerilimin var olup olmadığını gösterir.

606

Voltage Meter, Reverse Current Dump / Ters Akım Korumalı Gerilim Göstergeleri

Description: Indicates the on/off action with led for 24VDC in electrical systems. Additionally, protects coil with diode inside against inverse current.

Özelliği: Bağlandığı yerdeki 24VDC gerilimi led vasıtası ile var/yok olarak gösterir. Aynı zamanda içerisindeki diyot ile bobini ters akımdan korur.

607 - 608

Surge protection (Varistor) / Aşırı Gerilim Koruma

609 - 610

30VAC-75VAC-130VAC-275VAC

Description: Varistor is a resistor. Its resistance can change depends on voltage. Therefore, shunt connection is made for circuit which is protected. In case of over voltage, short circuit generated and fuse blown.

Özelliği : Varistör üzerindeki gerilime duyarlı olan bir dirençtir. Üzerindeki gerilimle ters orantılı olarak direnci değişir. Bu yüzden korunacak olan devre veya elemana paralel olarak bağlanır. Gerilim 30 V geçtiği zaman devreyi kısa devre ederek ona bağlı olan sigortanın atmasını sağlar.

611-612

Voltage Meter, Rectifier Gerilim Göstergesi ve Doğrultma Devresi

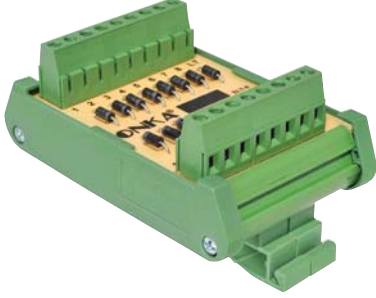
613

24-110-220VAC

Description: AC current from No:1 and No:2 terminals is transmitted to DC current and conducted to No:3 and No:4 terminals. This transmission is controlled with led indication.

Özelliği: 1 ve 2 numaralı klemenslerden uygulanan AC (Alternatif akım) diyotların köprü bağlantısı ile DC (Doğru Akım) şekline dönerek 3-4 klemenslerinden kullanıcıya verilir. Bu dönüşümün yapıp yapmadığı LED göstergesi ile anlaşılır. Bir amperlik köprü diyottur.

101 ... 107 Diode Cards / Diyot Kartları



Description: Manufactured in 7 different types as 6, 12, 14 channels common anode, 14 channels common cathode 22 channel anode and cathode. Diodes are used as 1A and 700V.

Özelliği : 7 farklı tipte imal edilmektedirler. 6'lı, 8'li, 12'li, 14'lü ortak anot, 14'lü ortak katot, 22'li ortak anot ve 22'li ortak katot şeklindedir. Diyot ihtiyaç olan yerlerde klemens bağlantısı olmasından dolayı tercih edilir. Diyotlar 1A ve 700V olarak kullanılmaktadır.

120 - 121 Lamp Testing Card / Lamba Test Kartları



Description: Controls the signal lamp in the machine or electric panel. They are manufactured as 8 channels and 16 channels.

Özelliği: Makina veya elektrik panosundaki sinyal lambalarını kontrol eder. 8 kanallı ve 16 kanallı diye 2 tip imal edilmektedir.

130 ... 132 Optocoupler Modules / Optokupler Modülleri



Description: In PLC or micro processor systems it protects the processor and PLC by electrically isolating the electronic circuit from the power circuit. This card is used as micro processor input and output it is 4 channels. It is isolated in both circuits. The work is followed by the led on. **Özelliği:** PLC veya micro işlemcili sistemlerde güç devresi ile elektronik devreyi elektriksel olarak birbirlerinden izole ederek PLC veya mikro işlemcinin bozulmasını engeller. Bu kartımız PLC veya mikro işlemciye giriş/çıkış olarak kullanılır. 4 kanallıdır. Genellikle giriş sinyallerinin güçlendirilmesi ve izole edilmesi için tercih edilir. Kartımızın girişi 5 V DC -12 - 24 V DC çıkışı ise 24 V DC, NPN'dir (Yani "-" çıkış). Her iki devrede izole halindedir. Üzerindeki LED ile çalışması takip edilebilir.

255 405 Relay Modules / Röle Modülleri



Description: Relay is a must for control panels. In our manufacture these relays are manufactured as start with led reverse current protection diode. More effective than the individual used relays. Also cheaper by decreasing of relay number. They are manufactured as 2, 4, 8, 16 channels and 24 VDC, 220 VAC. This type is manufactured as with socket.

Özelliği : Röle, neredeyse kumanda panolarının olmazsa olmazıdır. Her elektrik panosunu açtığınızda % 95 ihtimalle görebileceğiniz bir malzemedir. Bizim imalatlarımızda, bu röleleri standart olarak LED'li, ters akım koruma diyotlu olarak imal edilmekte ve tek kullanılan rölelerden daha cazip hale gelmektedir. Aynı zamanda röle sayısı azaldığından daha ekonomiktir. İmalatda 2 kanallı, 4 kanallı, 8 kanallı ve 16 kanallı olarak yapılmaktadır. Gerilim olarak 24 V DC ve 220 V AC dir. Bu modellerimiz soketli olarak yapılmaktadır.

LAMP TESTING, DIODE CARDS, OPTOCOUPLER MODULES LAMBA TEST, DİYOT KARTLARI ve OPTOKUPLER MODÜLLER



LAMP TESTING MODULES / LAMBA TEST MODÜLLERİ

CODE KOD	DESCRIPTIONS ÖZELLİKLER
ONKA-120-ELT8	Lamp Testing Card 8 Channels / Lamba Test Kartı 8 Kanallı
ONKA-121-ELT16	Lamp Testing Card 16 Channels /Lamba Test Kartı 16 Kanallı

DIODE CARDS / DİYOT KARTLARI

CODE KOD	DESCRIPTIONS ÖZELLİKLER
ONKA-101-EDM6	Diode Card 6 Channels / Diyot Kartı 6 Kanallı
ONKA-102-EDM8	Diode Card 8 Channels / Diyot Kartı 8 Kanallı
ONKA-103-EDM12	Diode Card 12 Channels / Diyot Kartı 12 Kanallı
ONKA-104-EDM14A	Diode Card 14 Channels Anode / Diyot Kartı 14 Kanallı Ortak Anot
ONKA-105-EDM14K	Diode Card 14 Channels Anode / Diyot Kartı 14 Kanallı Ortak Katot
ONKA-106-EDM22A	Diode Card 22 Channels Anode / Diyot Kartı 22 Kanallı Ortak Anot
ONKA-107-EDM22K	Diode Card 22 Channels Anode / Diyot Kartı 22 Kanallı Ortak Katot



OPTOCOUPLER MODULES / OPTOKUPLER MODÜLÜ

CODE KOD	DESCRIPTIONS ÖZELLİKLER
ONKA-130-EOM-4	Optocoupler Card 4 Channels, 5VDC Input, 24 VDC, NPN Optokupler Kartı 4 Kanallı 5 VDC Giriş, 24 VDC Çıkış, NPN
ONKA-131-EOM-4	Optocoupler Card 4 Channels, 12 VAC / DC Input, 24 VDC, NPN Optokupler Kartı 4 Kanallı 12 VAC / DC Giriş, 24 VDC Çıkış, NPN
ONKA-132-EOM-4	Optocoupler Card 4 Channels, 12 VAC / DC Input, 24 VDC, NPN Optokupler Kartı 4 Kanallı 24 VAC / DC Giriş, 24 VDC Çıkış, NPN





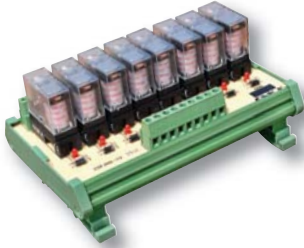
SINGLE CONTACT , 2 MODULES / TEK KONTAK İKİLİ

CODE / KOD	DESCRIPTION / AÇIKLAMA
ONKA-255-E24RMTS2 (+)	Single Contact 16 A. Relay Module Socket "+ Common" 24 VDC Tek Kontak 16 A. Röle Modülü Socketsli "+ Ortak" 24 VDC.
ONKA-257-E24RMTS2 (-)	Single Contact 16 A. Relay Module Socket "- Common" 24 VDC Tek Kontak 16 A. Röle Modülü Socketsli "- Ortak" 24 VDC.
ONKA-265-E220RMTSO2	Single Contact 16 A. Relay Module Socket 220 VAC Tek Kontak 16 A. Röle Modülü Socketsli 220 VAC.



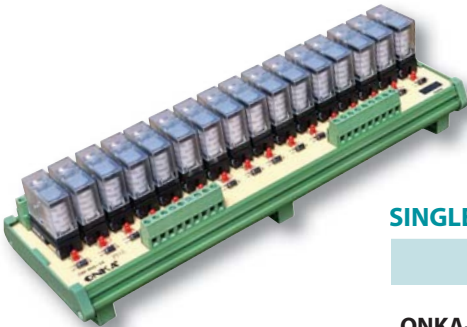
SINGLE CONTACT , 4 MODULES TEK KONTAK DÖRTLÜ

CODE / KOD	DESCRIPTION / AÇIKLAMA
ONKA-305-E24RMTS4 (+)	Single Contact 16 A. Relay Module Socket "+ Common" 24 VDC Tek Kontak 16 A. Röle Modülü Socketsli "+ Ortak" 24 VDC.
ONKA-307-E24RMTS4 (-)	Single Contact 16 A. Relay Module Socket "- Common" 24 VDC Tek Kontak 16 A. Röle Modülü Socketsli "- Ortak" 24 VDC.
ONKA-315-E220RMTSO4	Single Contact 16 A. Relay Module Socket 220 VAC. Tek Kontak 16 A. Röle Modülü Socketsli 220 VAC.



SINGLE CONTACT , 8 MODULES TEK KONTAK SEKİZLİ

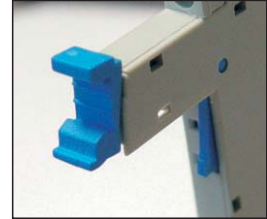
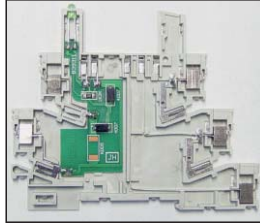
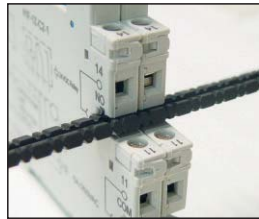
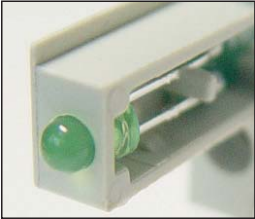
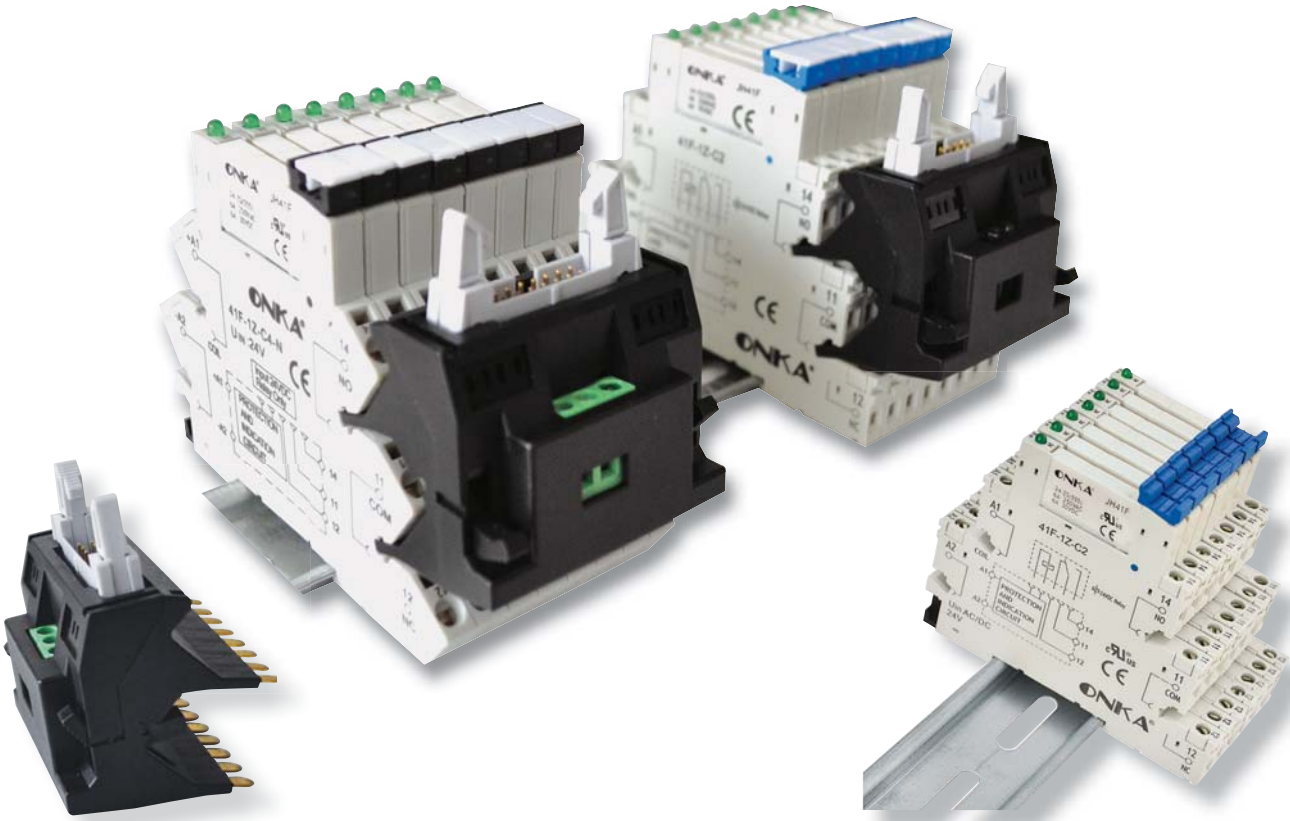
CODE / KOD	DESCRIPTION / AÇIKLAMA
ONKA-355-E24RMTS8 (+)	Single Contact 16 A. Relay Module Socket "+ Common" 24 VDC Tek Kontak 16 A. Röle Modülü Socketsli "+ Ortak" 24 VDC.
ONKA-357-E24RMTS8 (-)	Single Contact 16 A. Relay Module Socket "- Common" 24 VDC Tek Kontak 16 A. Röle Modülü Socketsli "- Ortak" 24 VDC.
ONKA-365-E220RMTSO8	Single Contact 16 A. Relay Module Socket 220 VAC. Tek Kontak 16 A. Röle Modülü Socketsli 220 VAC.



SINGLE CONTACT , 16 MODULES TEK KONTAK ONALTILI

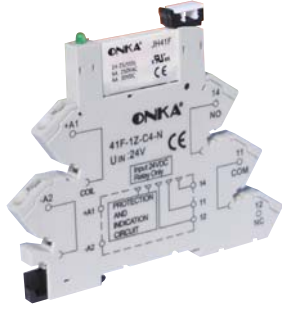
CODE / KOD	DESCRIPTION / AÇIKLAMA
ONKA-401-E24RMTS16 (+)	Single Contact 16 A. Relay Module Socket "+ Common" 24 VDC Tek Kontak 16 A. Röle Modülü Socketsli "+ Ortak" 24 VDC.
ONKA-403-E24RMTS16 (-)	Single Contact 16 A. Relay Module Socket "- Common" 24 VDC Tek Kontak 16 A. Röle Modülü Socketsli "- Ortak" 24 VDC.
ONKA-405-E220RMTSO16	Single Contact 16 A. Relay Module Socket 220 VAC. Tek Kontak 16 A. Röle Modülü Socketsli 220 VAC.

ONKA SLIM RELAY + SOCKET 6A ONKA SLIM RÖLE + SOKET 6A

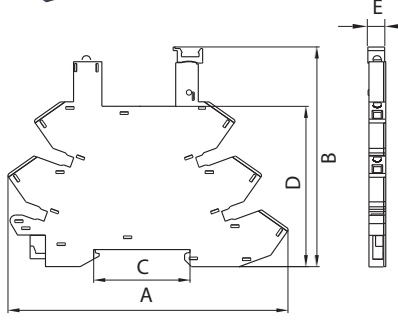


CODE KOD	DESCRIPTIONS ÖZELLİKLER	Pcs. Box / Kutu Ad.
ONKA-41F-1Z-C2-24VDC-R	24 V DC SCREWED TYPE SLIM RELAY + SOCKET / 24 V DC VİDA BASKILI SLIM RÖLE + SOKET	10
ONKA-41F-1Z-C4-24VDC-R	24 V DC PUSH - IN SLIM RELAY + SOCKET / 24 V DC YAY BASKILI SLIM RÖLE + SOKET	20
ONKA-JH41F-12VDC	12 V DC SLIM RELAY (SINGLE) / 12 V DC SLIM RÖLE (TEK)	10
ONKA-JH41F-24VDC	24 V DC SLIM RELAY (SINGLE) / 24 V DC SLIM RÖLE (TEK)	10
ONKA-JH41F-60VDC	60 V DC SLIM RELAY (SINGLE) / 60 V DC SLIM RÖLE (TEK)	10
ACCESSORIES / AKSESUAR		
ONKA-41F-1Z-C2-24VDC	ONKA SCREWED TYPE SLIM RELAY SOCKET (6 mm) / ONKA VİDA BASKILI SLIM RÖLE SOKETİ (6 mm)	10
ONKA-41F-1Z-C4-24VDC	ONKA PUSH - IN SLIM RELAY SOCKET (6 mm) / ONKA YAY BASKILI SLIM RÖLE SOKETİ (6 mm)	10
ONKA-41F-S	SEPERATOR PLATE / AYIRMA PLAKASI (SEPERATÖR)	1
ONKA-JH-AR	PLC ADAPTOR / PLC ADAPTÖR	1
ONKA-41F-J1	BRIDGE 20 / 20'Lİ ÜST KÖPRÜ	10
ONKA-41F-M1	MARKING / MARKALAMA	1

ONKA SLIM RELAY + SOCKET 6A ONKA SLIM RÖLE + SOKET 6A



Order No:
41F-1Z-C4-24VDC-R
Spring Type /
Yaylı Tip



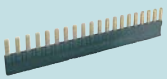
Dimensions Ölçüler (mm)	A	B	C	D	E
	101,5	79,7	35	58,2	6,0

MATERIAL / MATERYAL

Cover / Kapak	PA6.6
Bridge / Köprü	Copper / Bakır
Square / Gövde	PA6.6
Spring / Yay	Steel / Çelik
Temp./ Sıcaklık	-40 °C, +70 °C
Cable Strip L. / Soyma Boyu	10 mm
Torque / Tork	0,5 Nm

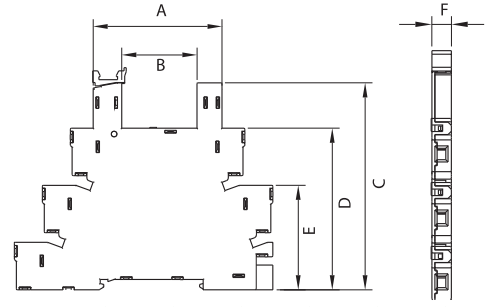
DATA / VERİ	
Voltage / Gerilim	250 VAC
Dielectric Strength	min: 5000 VAC
Current / Akım	6 A
Section / Kesit	1x2,5 / 2x1,5 mm ²

ACCESSORIES / AKSESUARLAR

Cross Connection / Köprü	Order No./Sip. No.	Pole/Pin	Pcs./Ad.
	41F-J1	20	10
End Bracket/ Sonlandırıcı	1202		
Marking / Markalama	41F-M1		



Order No:
41F-1Z-C2-24VDC-R
Screwed Type /
Vidalı Tip



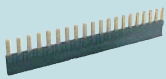
Dimensions Ölçüler (mm)	A	B	C	D	E	F
	44,2	25,8	70,9	55,3	35,8	6,0

MATERIAL / MATERYAL

Cover / Kapak	PA6.6
Bridge / Köprü	Copper / Bakır
Square / Gövde	PA6.6
Screw / Vida	Steel / Çelik
Temp./ Sıcaklık	-40 °C, +70 °C
Cable Strip L. / Soyma Boyu	10 mm
Torque / Tork	0,5 Nm

DATA / VERİ	
Voltage / Gerilim	250 VAC
Dielectric Strength	min: 5000 VAC
Current / Akım	6 A
Section / Kesit	1x2,5 / 2x1,5 mm ²

ACCESSORIES / AKSESUARLAR

Cross Connection / Köprü	Order No./Sip. No.	Pole/Pin	Pcs./Ad.
	41F-J1	20	10
End Bracket/ Sonlandırıcı	1202		
Marking / Markalama	41F-M1		

POWER ELECTROMAGNETIC MINIATURE RELAY Industrial Relay Series



>>> Sockets selection table

		
SRC08-E	SRB08-E	SRC08-P

POWER ELECTROMAGNETIC MINIATURE RELAY Industrial Relay Series



JQX-14FC-1CH



JQX-14FC-2C



Features

- > 1 pole 10A, 16A / 250VAC, 30VDC; 2 pole 5A, 8A / 250VAC, 30VDC
- > Slim and compact size
- > Conformity with RoHs directive

Ordering Information

JQX-14FC-□□□□

Contact form

- 1C: 1 change over
- 2C: 2 change over

Contact Capacity

- None : 1C 10A; 2C 5A
- H : 1C 16A; 2C 8A

Encapsulation Form

- F: Epoxy Glue
- S: Sealed

Coil Voltage

- 3 ~ 110VDC
- 6 ~ 220VAC

Characteristics

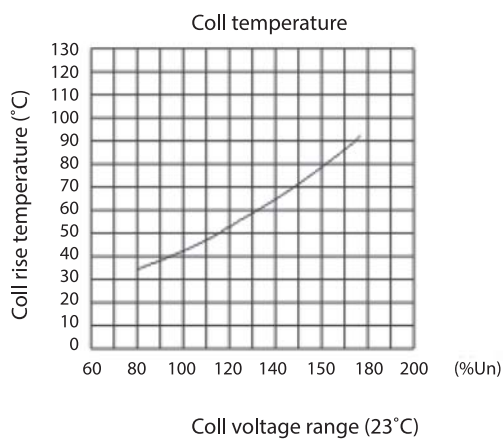
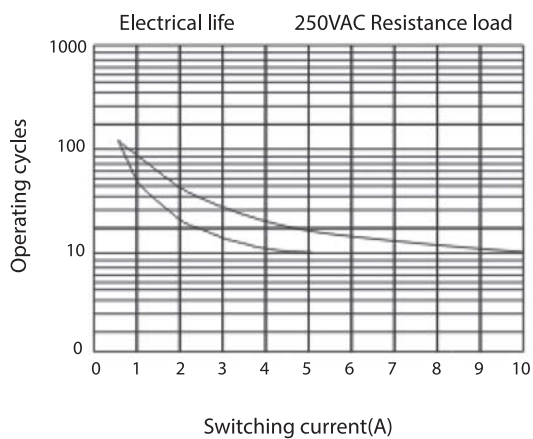
Configuration		1A, 1B, 1C	2A, 2B, 2C
Contact	Rated current/ Resistive load (AC-1)	10A, 16A /250VAC, 30VDC	5A, 8A/250VAC 30VDC
	Rated voltage/ Motor load (AC-15)	1/3HP, 240VAC, 1/2 HP, 240VAC	1/6HP, 240VAC
	Switching capacity (resistive)	2500VA, 300W; 4000VA, 480W	1250VA, 150W; 2000VA, 240W
	Initial contact resistance	≤50mΩ	
	Material	Ag alloy	
	Electrical durability	≥10 ⁵ times (1800 Ops/h)	
	Mechanical durability	≥10 ⁷ times (18000 Ops/h)	
	Pick-up voltage (23°C)	DC:≤75% (Rated voltage), AC:≤80% (Rated voltage)	
Drop-out voltage (23°C)	DC:≥10% (Rated voltage),AC:≥30% (Rated voltage)		
Maximum voltage (23°C)	110% (Rated voltage)		
Insulation resistance	≥1000mΩ (500VDC)		
Coil operating power	DC (W)	approx. 0.53	
	AC (VA)	approx. 1	
Operate time (at nominal voltage)	≤20ms		
Release time (at nominal voltage)	≤10ms		
Dielectric Strength	Between open contacts	1000VAC/1 min (Leakage current 1 mA)	
	Between contacts (different pole)	1000VAC/1 min (Leakage current 1 mA)	
	Between contacts and coil	5000VAC/1 min (Leakage current 1 mA)	
Ambient temperature	-40~+65°C		
Humidity	35%~85%RH		
Air pressure	86~106KPa		
Shock resistance	10G (Half a wave of pulses of sine: 11ms)		
Vibration resistance	10~55Hz double-amplitude:1.5mm		
Install model	Plug-in terminals / PCB terminal		
Unit weight	Approx. 17g		
Matched Relay Socket	SRB05-E, SRC05-E, SRC05-P	SRB08-E, SRC08-E, SRC08-P	

POWER ELECTROMAGNETIC MINIATURE RELAY Industrial Relay Series

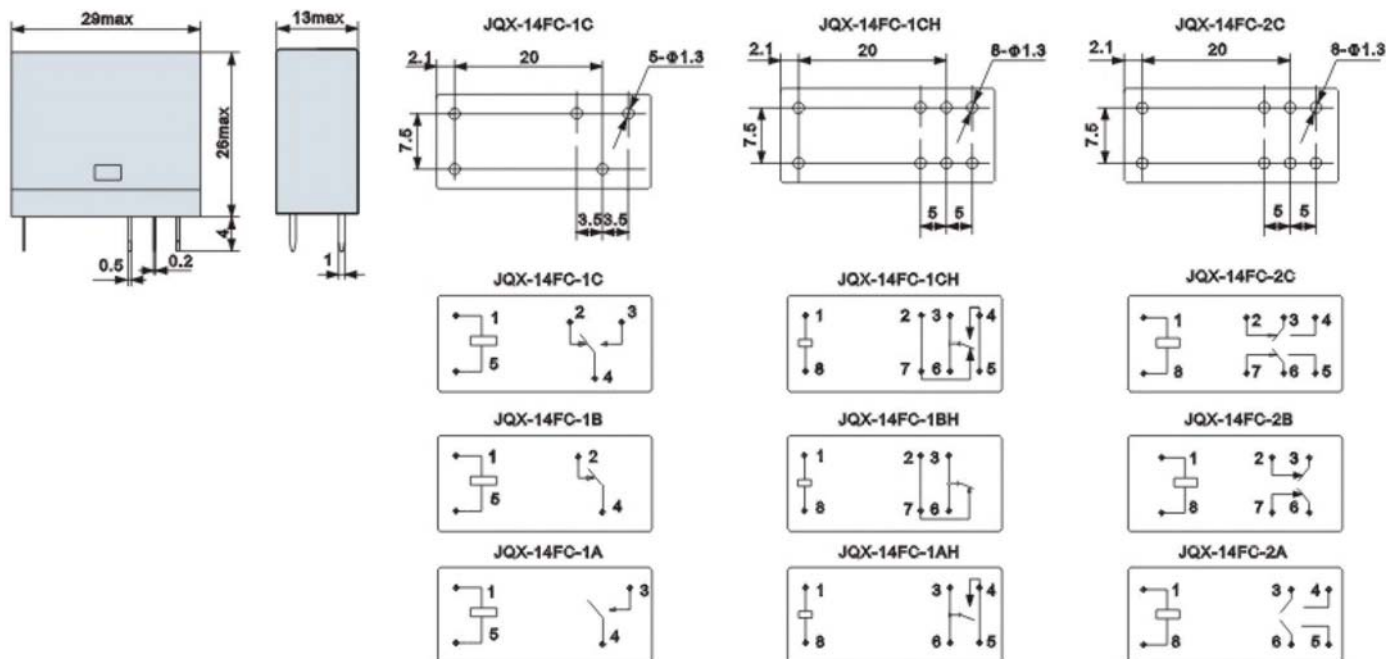
COIL TYPE (23°C)

Rated voltage VDC	3	5	6	9	12	18	24	36	48	110
Coil resistance Ω ($\pm 10\%$)	17	47	68	150	270	610	1100	2440	4300	22800
Rated voltage VAC	6	12	24	48	110	220				
Coil resistance Ω ($\pm 10\%$)	16	63	240	1085	5500	21000				

CURVE GRAPH OF PERFORMANCE



DIMENSION - BOTTOM VIEW



POWER ELECTROMAGNETIC MINIATURE RELAY Industrial Relay Series

SRC & SRB Socket

>>> SRC08-E

Presentation



10/16 AMPS 300 VOLTS



Characteristics

Type		SRC08-E	
Nominal load	Current	A	10 / 16
	Voltage	V	300
Dielectric strength	Between coil and contact	V/S	4000
	Between contacts	V/S	2500
Max. tightening torque		Nm	1.0
Wire size		AWG/mm ²	20-14/0.5-2.5
Ambient temperature		°C	-45~+65
Unit weight		g	38

Relay, accessories selection table

Socket	Relay Model	Plastic clip	Metal clip	ID tag	Module	DIN rail
SRC08-E	JQX-14FC /K/L-2C	SR15L/20F /25C	-	SR2P	AMD	PFP

>>> SRB08-E

Presentation



10/16 AMPS 300 VOLTS



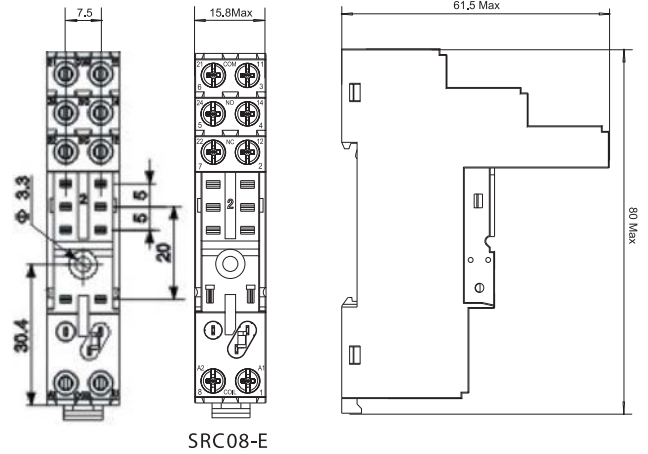
Characteristics

Type		SRB08-E	
Nominal load	Current	A	10 / 16
	Voltage	V	300
Dielectric strength	Between coil and contact	V/S	4000
	Between contacts	V/S	2500
Max. tightening torque		Nm	1.0
Wire size		AWG/mm ²	20-14/0.5-2.5
Ambient temperature		°C	-45~+65
Unit weight		g	37

Relay, accessories selection table

Socket	Relay Model	Plastic clip	Metal clip	ID tag	Module	DIN rail
SRB08-E	JQX-14FC /K/L-2C	SR15L/20F /25C	-	SR2P	AMD	PFP

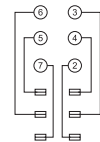
Dimensions (mm)



SRC08-E

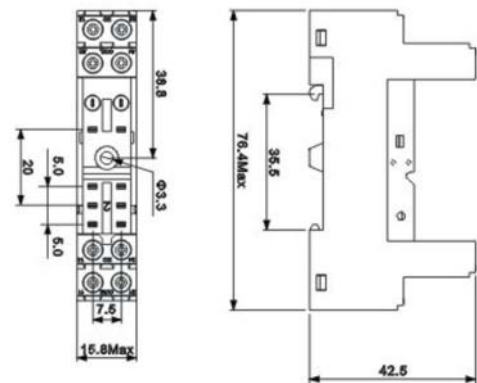
Connection Diagrams

RELAY H(mm)	CLIP TYPE
15	SR15L
20	SR20F
25	SR25C



SRC08-E

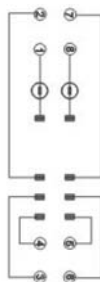
Dimensions (mm)



SRB08-E

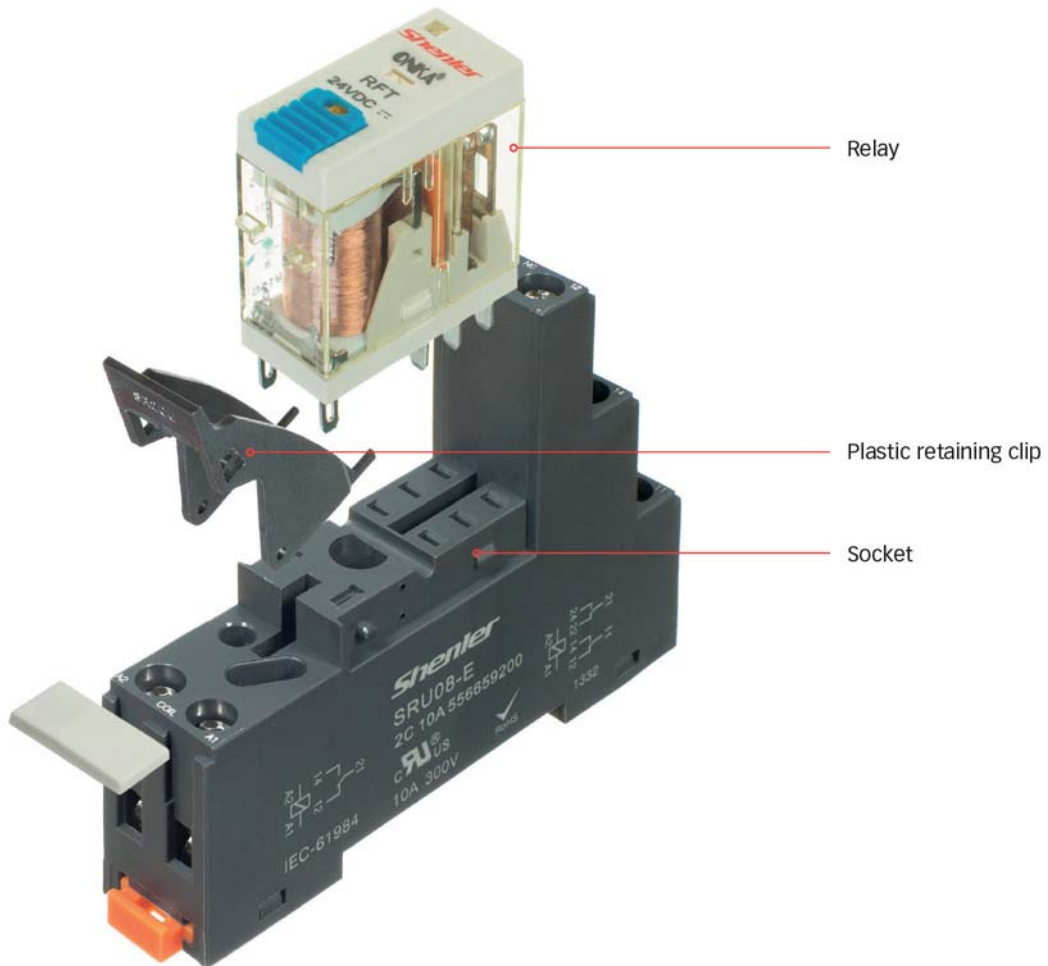
Connection Diagrams

RELAY H(mm)	CLIP TYPE
15	SR15L
20	SR20F
25	SR25C



SRB08-E

RFT INTERFACE RELAY Industrial Relay Series



>>> Sockets selection table

	
SRU08 - E	STR08 - P

RFT INTERFACE RELAY Industrial Relay Series



RFT1CO



RFT2CO



Features

- > 1 pole 12A; 2 pole 8A
- > With non-polarity LED integrated in relay
- > Slim and compact size
- > Conformity with RoHs directive

Ordering Information

Contact form _____ RFT
 1C: 1 change over
 2C: 2 change over

Terminal arrangement _____
 O: plug in

Coil voltage _____
 006~110: 6~110VDC
 506~740: 6~240VAC

Other options _____
 L: LED
 D: Diode
 LD: LED + diode (1-, 5+; 1-, 8+)
 LD1: LED + diode (1+, 5-; 1+, 8-)
 B: install at top
 A: for signal control (selection plus A, namely LA, DA, LDA, LTA, LTDA, BA)

Characteristics

	Configuration	1C	2C
		Rated current/ Rated voltage	Resistive load Motor load
Contact	Switching capacity (resistive)	3000VA, 360W	
	Initial contact resistance	≤50mΩ	
	Material	Ag alloy	
	Electrical durability	≥10 ⁵ times (1800 Ops/h)	
	Mechanical durability	≥10 ⁷ times (18000 Ops/h)	
	Pick-up voltage (23°C)	DC: ≤75% (Rated voltage), AC: ≤80% (Rated voltage)	
	Drop-out voltage (23°C)	DC: ≥10% (Rated voltage), AC: ≥30% (Rated voltage)	
Maximum voltage (23°C)	110% (Rated voltage)		
Insulation resistance	≥1000mΩ (500VDC)		
Coil operating power	DC (W)	approx. 0.53	
	AC (VA)	approx. 1	
Operate time (at nominal voltage)	≤20ms		
Release time (at nominal voltage)	≤10ms		
Initial breakdown voltage	Between open contacts	1000VAC/1min	
	Between poles	3000VAC/1min	
	Between contacts and coil	5000VAC/1min	
Ambient temperature	-40~+55°C		
Humidity	5%~85%RH		
Air pressure	86~106KPa		
Shock resistance	10G		
Vibration resistance	10~55Hz double-amplitude:1.0mm		
Mounting	plug in		
Unit weight	Approx. 18g		

RFT INTERFACE RELAY Industrial Relay Series

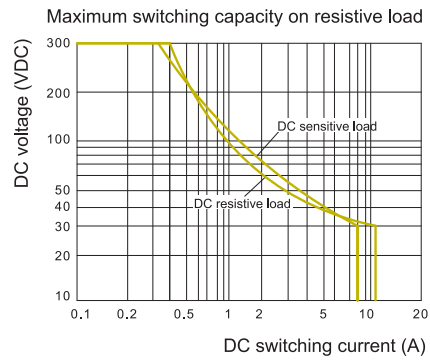
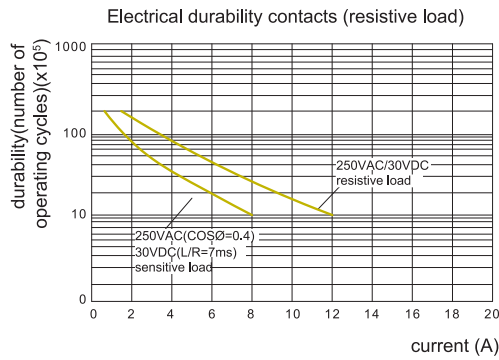
Coil Specifications (23°C)

Voltage code	006	009	012	024	036	048	110	
Nominal voltage V.DC	6	9	12	24	36	48	110	
Coil resistance Ω	68	150	270	1100	2440	4300	22800	
Voltage code	506	512	524	548	615	720	730	740
Nominal voltage V.AC	6	12	24	48	115	220	230	240
Coil resistance Ω	16	63	240	1085	6300	21000	23000	25000

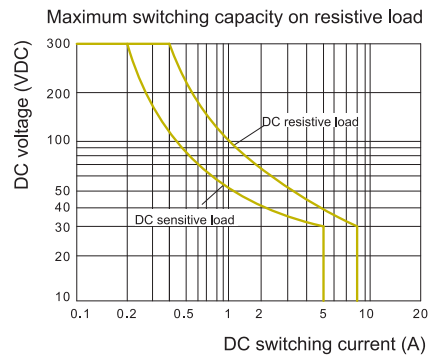
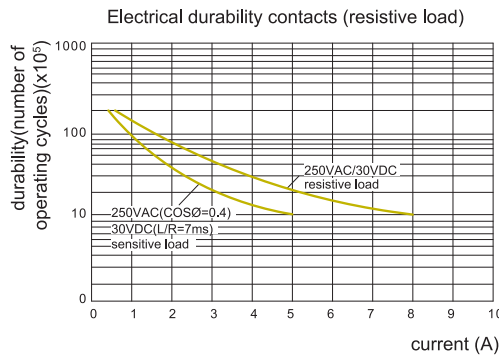
Remarks: Coil resistances under coil voltage 110V are measured with tolerances of 10%; above coil voltage 110V are measured with tolerances of 15%.

Contact Specification

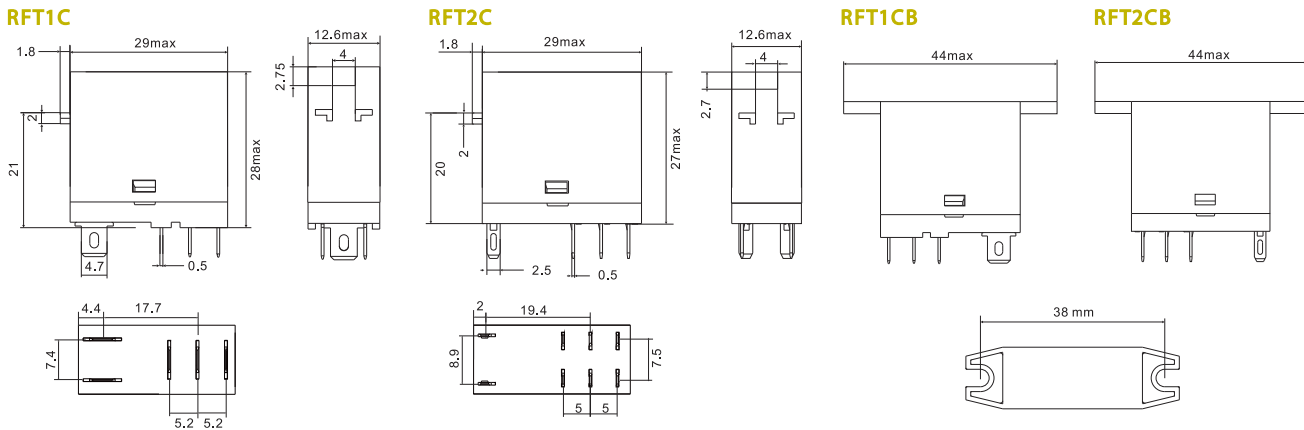
RFT1CO



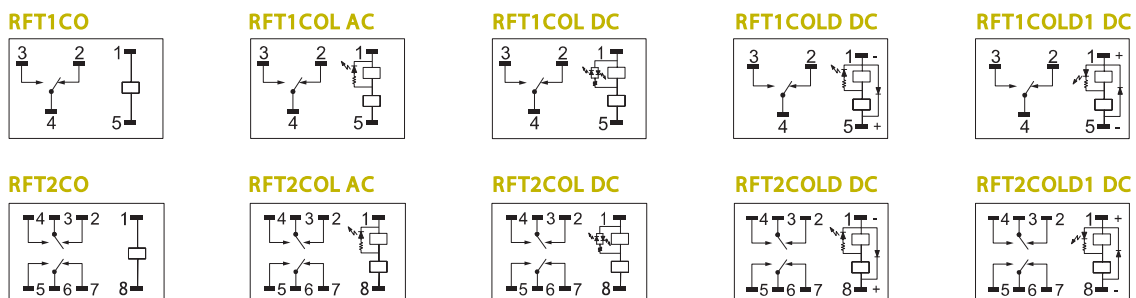
RFT2CO



Dimensions (mm)



Wiring Diagrams



RFT INTERFACE RELAY Industrial Relay Series



RFT1CO-LT



RFT2CO-LT



Features

- > Slim and compact size
- > 1 pole 12A; 2 pole 8A
- > With non-polarity LED integrated in relay
- > With lockable test button and inspection window
- > Identification of coils through test button color (AC red/DC blue)
- > Conformity with RoHs Directive

Ordering Information

Contact form _____ RFT □ □ □ □
 1C: 1 change over
 2C: 2 change over

Terminal arrangement _____
 O: plug in

Coil voltage _____
 006~110: 6~110VDC
 506~740: 6~240VAC

Options _____
 LT: LED + Test button
 LTD: LED + test button+diode (1-, 5+; 1-, 8+)
 LTD1: LED + test button+diode (1+, 5-; 1+, 8-)

Characteristics

		1C	2C	
Contact	Configuration	1C	2C	
	Rated current/ Rated voltage	Resistive load	12A/250VAC, 30VDC	8A/250VAC, 30VDC
		Motor load	1/3HP, 240VAC	1/6HP, 240VAC
	Switching capacity (resistive)	3000VA, 360W	2000VA, 240W	
	Initial contact resistance	≤50mΩ		
	Material	Ag alloy		
	Electrical durability	≥10 ⁵ times (1800 Ops/h)		
Mechanical durability	≥10 ⁷ times (18000 Ops/h)			
Pick-up voltage (23°C)	DC:≤75% (rated voltage), AC:≤80% (rated voltage)			
Drop-out voltage (23°C)	DC:≥10% (rated voltage),AC:≥30% (rated voltage)			
Maximum voltage (23°C)	110% (rated voltage)			
Insulation resistance	≥1000MΩ (500VDC)			
Coil operating power	DC (W)	approx. 0.53		
	AC (VA)	approx. 1		
Operate time (at nominal voltage)	≤20ms			
Release time (at nominal voltage)	≤10ms			
Initial breakdown voltage	Between open contacts	1000VAC/1min (leakage current 1mA)		
	Between poles	3000VAC/1min (leakage current 1mA)		
	Between contacts and coil	5000VAC/1min (leakage current 1mA)		
Ambient temperature	-40~+55°C			
Humidity	5%~85%RH			
Air pressure	86~106KPa			
Shock resistance	10G			
Vibration resistance	10~55Hz double-amplitude: 1.0mm			
Mounting	plug in			
Unit weight	Approx. 20g			

RFT INTERFACE RELAY Industrial Relay Series

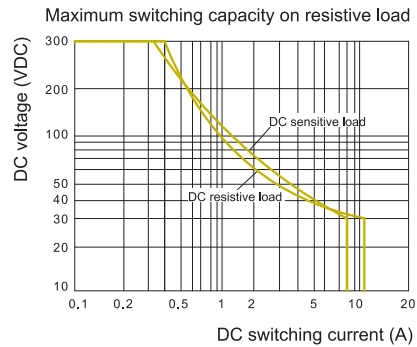
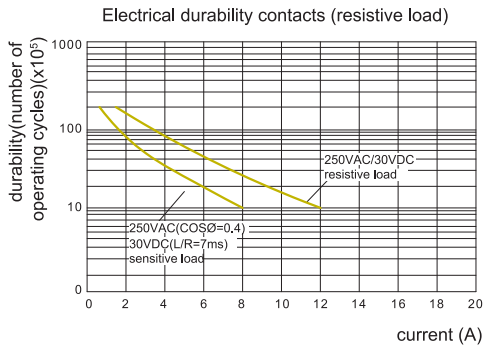
Coil Specifications (23°C)

Voltage code	006	009	012	024	036	048	110	
Nominal voltage V.DC	6	9	12	24	36	48	110	
Coil resistance Ω	68	150	270	1100	2440	4300	22800	
Voltage code	506	512	524	548	615	720	730	740
Nominal voltage V.AC	6	12	24	48	115	220	230	240
Coil resistance Ω	16	63	240	1085	6300	21000	23000	25000

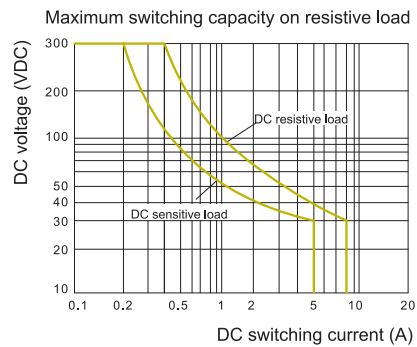
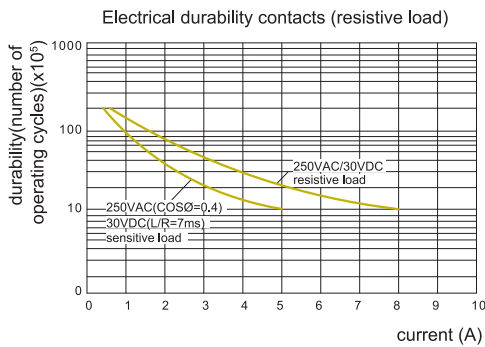
Remarks: Coil resistances under coil voltage 110V are measured with tolerances of 10%; above coil voltage 110V are measured with tolerances of 15%.

Contact Specification

RFT1CO-LT

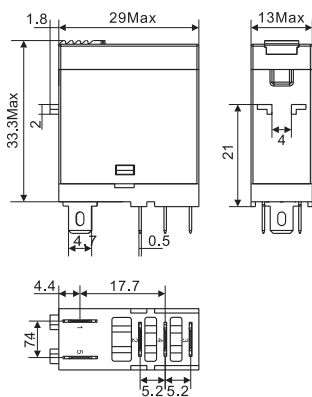


RFT2CO-LT

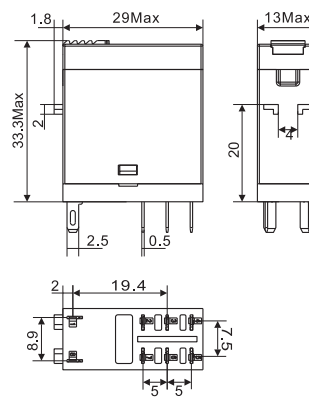


Dimensions (mm)

RFT1CO-LT

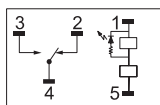


RFT2CO-LT

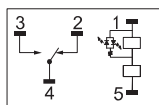


Wiring Diagrams

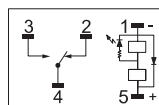
RFT1COLT AC



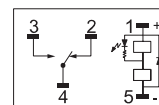
RFT1COLT DC



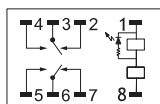
RFT1COLTD DC



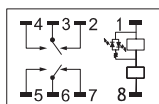
RFT1COLTD1 DC



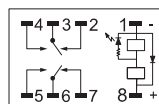
RFT2COLT AC



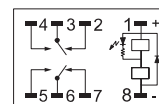
RFT2COLT DC



RFT2COLTD DC



RFT2COLTD1 DC



RFT INTERFACE RELAY Industrial Relay Series

RFT Socket

>>> SRU05 -E >>> SRU08 -E

Presentation



10/16 AMPS 300 VOLTS



Characteristics

Type			SRU05-E	SRU08-E
Nominal load	Current	A	16	10
	Voltage	V	300	
Dielectric strength	Between coil and contact	V/S	4000	
	Between contacts	V/S	2500	
Max. tightening torque	Nm		1.0	
Wire size	AWG/mm ²		20-14/0.5-2.5	
Ambient temperature	☒		-45~+85	
Unit weight	g		35	43

Relay accessories selection table

Socket	Plastic clip	Metal clip	ID tag	Module	DIN rail
SRU05-E	SR20T	-	SR2P	AMD	PFP
SRU08-E					

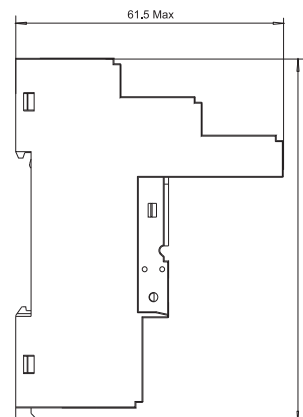
Dimensions (mm)



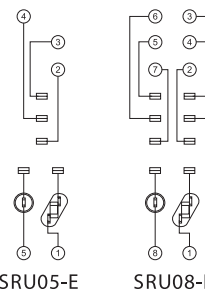
SRU05-E



SRU08-E



Connection Diagrams



SRU05-E

SRU08-E

>>> SRT05 -P >>> SRT08 -P

Presentation



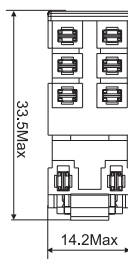
10/16 AMPS 300 VOLTS



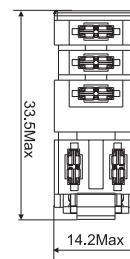
Characteristics

Type			SRT05-P	SRT08-P
Nominal load	Current	A	16	10
	Voltage	V	300	
Dielectric strength	Between coil and contact	V/S	4000	
	Between contacts	V/S	2500	
Ambient temperature	☒		-40~+65	
Unit weight	g		4	

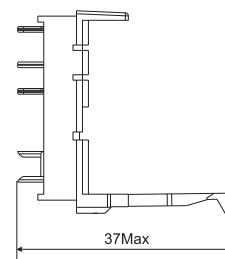
Dimensions (mm)



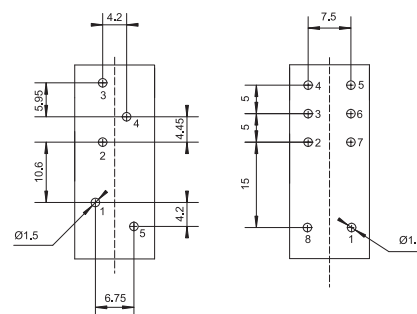
SRT05-P



SRT08-P



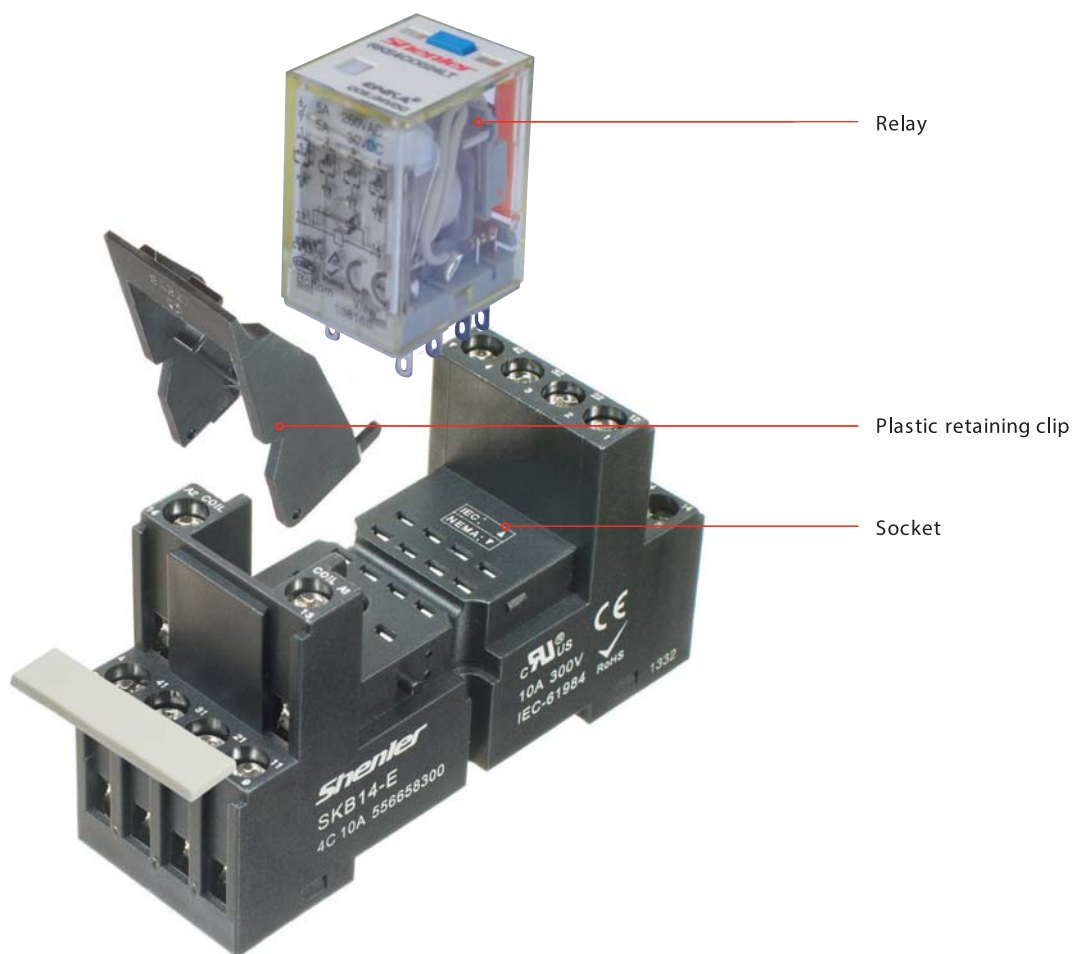
Connection Diagrams



SRT05-P

SRT08-P

RKE MINIATURE GENERAL PURPOSE RELAY Industrial Relay Series



>>> Sockets selection table

		
SKB08 - E SKB14 - E	SKC08 - E SKC11 - E SKC14 - E	SKC08 - S SKC14 - S

RKE MINIATURE GENERAL PURPOSE RELAY Industrial Relay Series



RKE2CO



RKE4CO



Features

- > 2 pole 7A; 4 pole 5A
- > With non-polarity LED integrated in relay
- > With lockable test button and inspection window
- > Identification of coils through test button color (AC red/DC blue)
- > Conformity with RoHs Directive

Ordering Information

RKE

Contact form _____
 2C: 2 change over
 4C: 4 change over

Mount options _____
 O: plug in

Coil voltage _____
 006~220: 6~220VDC
 506~880: 6~380VAC

Options _____
 LT: LED + test button
 LTD: LED + test button + diode
 A: for signal control (selection plus A, namely LTA, LTDA, LSA)

Characteristics

Configuration		2C	4C
Contact	Rated current/ Rated voltage	Resistive load 7A/250VAC 30VDC	5A/250VAC 30VDC
		Motor load 1/6HP 240VAC	
	Switching capacity (resistive)	2500VA, 300W	1250VA 150W
	Initial contact resistance	≤50mΩ	
	Material	Ag alloy	
	Electrical durability	≥10 ⁵ times (1800 Ops/h)	
	Mechanical durability	≥10 ⁷ times (18000 Ops/h)	
Pick-up voltage (23°C)	DC: ≤75% (Rated voltage), AC: ≤80% (Rated voltage)		
Drop-out voltage (23°C)	DC: ≥10% (Rated voltage), AC: ≥30% (Rated voltage)		
Maximum voltage (23°C)	110% (Rated voltage)		
Insulation resistance	≥500mΩ (500VDC)		
Coil operating power	DC(W)	approx. 0.9	
	AC(VA)	approx. 1.2	
Operate time (at nominal voltage)	≤20 ms		
Release time (at nominal voltage)	≤20 ms		
Initial breakdown voltage	Between open contacts	1000VAC/1min	
	Between poles	2000VAC/1min	
	Between contacts and coil	2000VAC/1min	
Ambient temperature	-55~+70°C		
Humidity	35%~85%RH		
Air pressure	86~106KPa		
Shock resistance	10G		
Vibration resistance	10~55Hz double-amplitude: 1.0mm		
Mounting	plug in		
Unit weight	35g		

RKE MINIATURE GENERAL PURPOSE RELAY Industrial Relay Series

Coil Specifications (23°C)

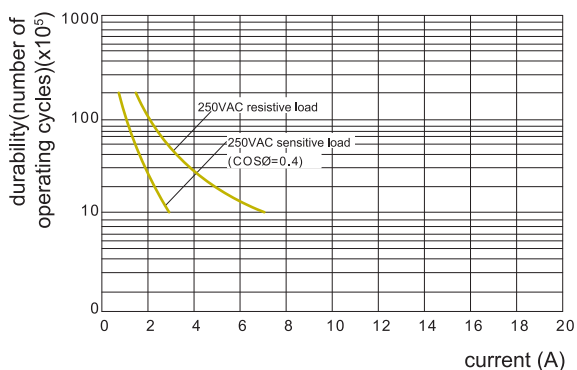
Voltage code	006	009	012	024	036	048	110	220		
Nominal voltage V.DC	6	9	12	24	36	48	110	220		
Coil resistance Ω	40	90	160	630	1500	2600	11000	42000		
Voltage code	506	512	524	536	548	615	720	730	740	880
Nominal voltage V.AC	6	12	24	36	48	115	220	230	240	380
Coil resistance Ω	11.5	40	160	370	600	4430	13000	16500	18790	42000

Remarks: Coil resistances under coil voltage 110V are measured with tolerances of 10%; above coil voltage 110V are measured with tolerances of 15%.

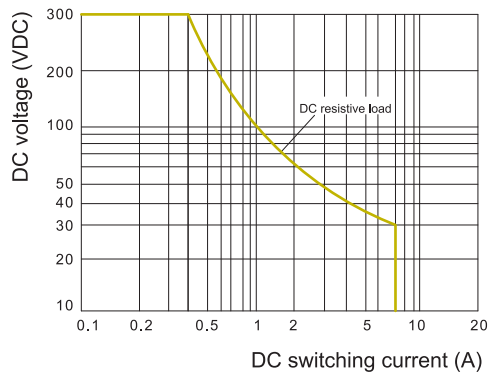
Contact Specification

RKE2CO

Electrical durability contacts (resistive load)

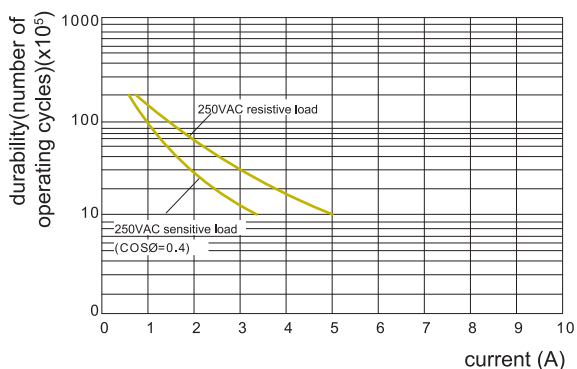


Maximum switching capacity on resistive load

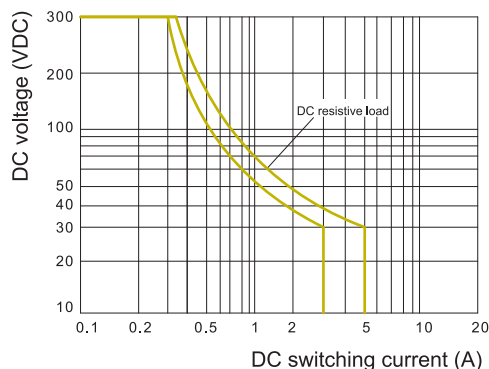


RKE4CO

Electrical durability contacts (resistive load)



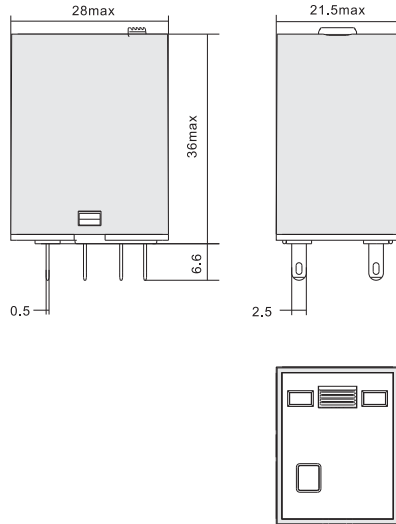
Maximum switching capacity on resistive load



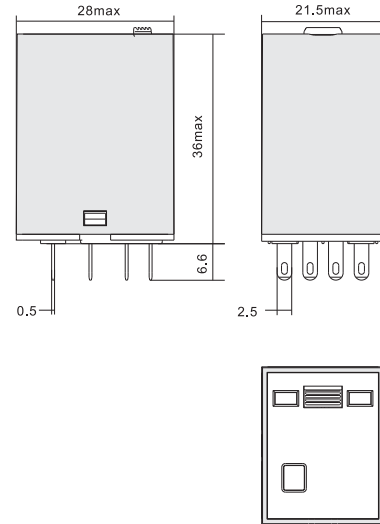
RKE MINIATURE GENERAL PURPOSE RELAY Industrial Relay Series

Dimensions (mm)

RKE2CO

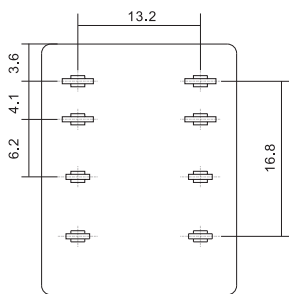


RKE4CO

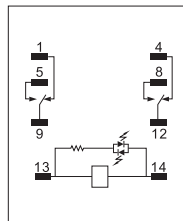


Wiring Diagrams

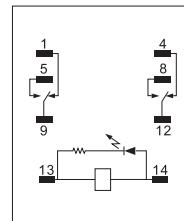
RKE2CO



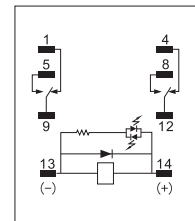
DC



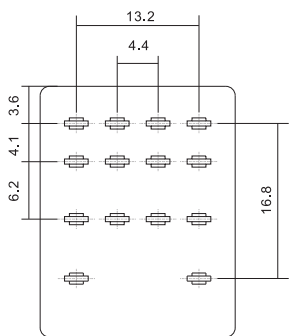
AC



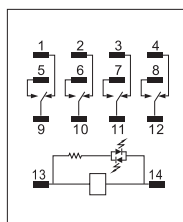
DC-D



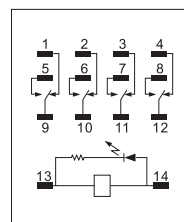
RKE4CO



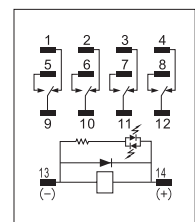
DC



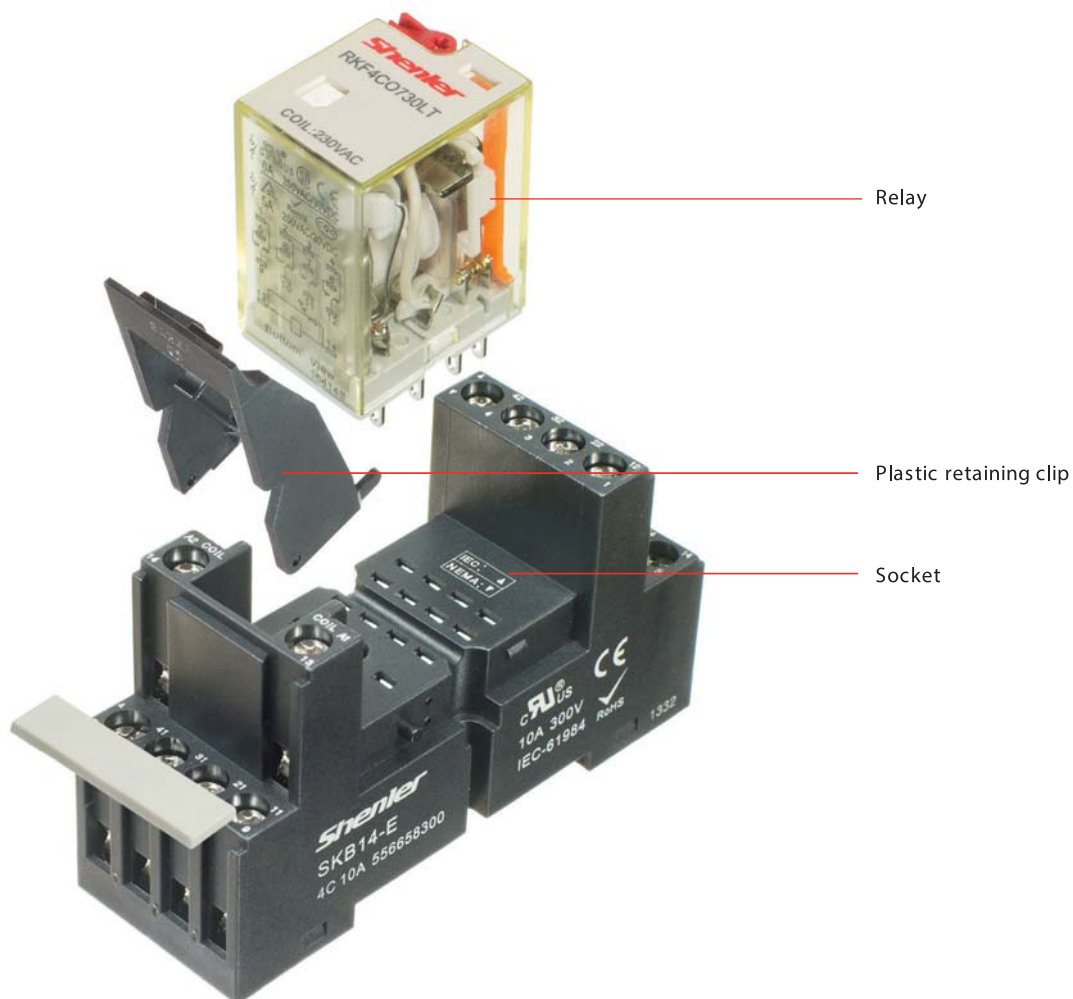
AC



DC-D



RKF MINIATURE GENERAL PURPOSE RELAY Industrial Relay Series



>>> Sockets selection table

		
SKB08 - E SKB14 - E	SKC08 - E SKC11 - E SKC14 - E	SKC08 - S SKC14 - S

RKE & RKF MINIATURE GENERAL PURPOSE RELAY Industrial Relay Series



RKF2CO



RKF4CO



Features

- > 2 pole 12A; 4 pole 6A
- > Gold plated contacts
- > With non-polarity LED integrated in relay
- > With lockable test button and inspection window
- > Identification of coils through test button color (AC red/DC blue)
- > Conformity with RoHs Directive

Ordering Information

Contact form

2C (C: change over)

4C (C: change over)

Mount options

O: plug in

Coil voltage

006~220: 6~220VDC

506~880: 6~380VAC

Options

LT: LED + test button

LTD: LED + test button +diode

RKF □ □ □ □

Characteristics

Configuration		2C	4C
Contact	Rated current/ Rated voltage	Resistive load 12A/250VAC 30VDC	6A/250VAC 30VDC
		Motor load 1/3HP,240VAC	1/6HP,240VAC
	Switching capacity (resistive)	3000VA, 360W	1500VA 180W
	Initial contact resistance	≤50mΩ	
	Material	Ag alloy	
	Electrical durability	≥10 ⁵ times (1800 Ops/h)	
	Mechanical durability	≥10 ⁷ times (18000 Ops/h)	
Pick-up voltage (23°C)	DC: ≤75% (Rated voltage), AC: ≤80% (Rated voltage)		
Drop-out voltage (23°C)	DC: ≥10% (Rated voltage), AC: ≥30% (Rated voltage)		
Maximum voltage (23°C)	110% (Rated voltage)		
Insulation resistance	≥1000mΩ (500VDC)		
Coil operating power	DC(W)	approx. 0.9	
	AC(VA)	approx. 1.2	
Operate time (at nominal voltage)	≤20 ms		
Release time (at nominal voltage)	≤20 ms		
Initial breakdown voltage	Between open contacts	1000VAC/1min	
	Between poles	2000VAC/1min	
	Between contacts and coil	2000VAC/1min	
Ambient temperature	-55~+70°C		
Humidity	35%~85%RH		
Air pressure	86~106KPa		
Shock resistance	10G		
Vibration resistance	10~55Hz double-amplitude:1.0mm		
Mounting	plug in		
Unit weight	35g		

RKF MINIATURE GENERAL PURPOSE RELAY Industrial Relay Series

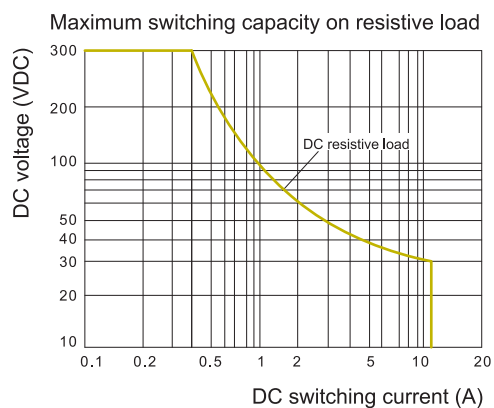
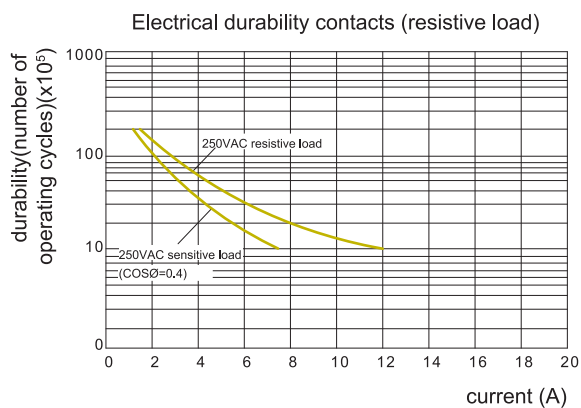
Coil Specifications (23°C)

Voltage code	006	009	012	024	036	048	110	220		
Nominal voltage V.DC	6	9	12	24	36	48	110	220		
Coil resistance Ω	40	90	180	640	1500	2600	13000	42000		
Voltage code	506	512	524	536	548	615	720	730	740	880
Nominal voltage V.AC	6	12	24	36	48	115	220	230	240	380
Coil resistance Ω	11.5	40	180	370	640	4430	13000	16500	18790	42000

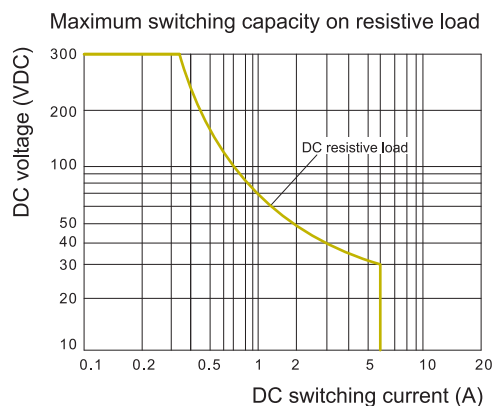
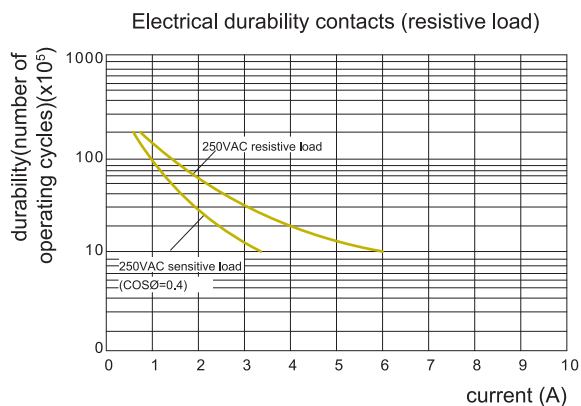
Remarks: Coil resistances under coil voltage 110V are measured with tolerances of 10%; above coil voltages 110V are measured with tolerances of 15%.

Contact Specification

RKF2C



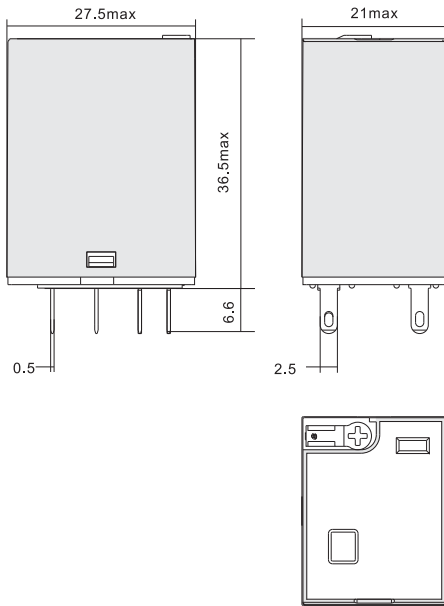
RKF4C



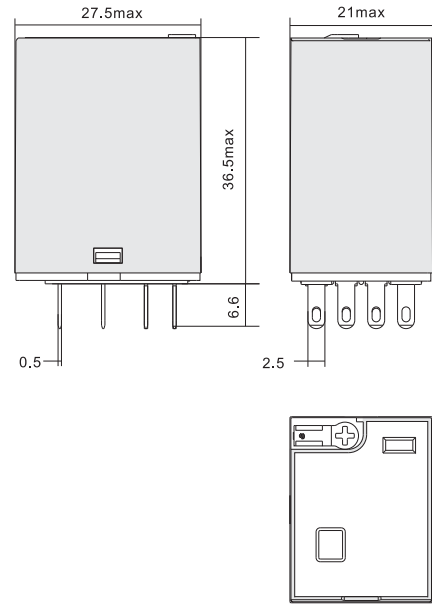
RKF MINIATURE GENERAL PURPOSE RELAY Industrial Relay Series

Dimensions (mm)

RKF2CO

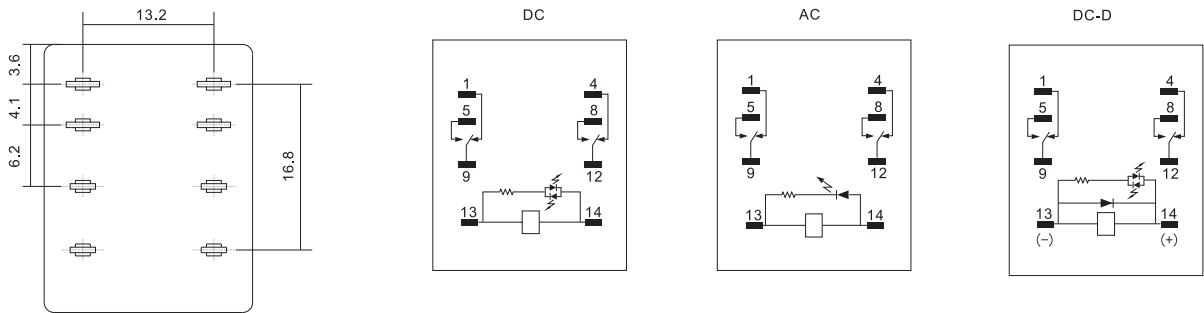


RKF4CO

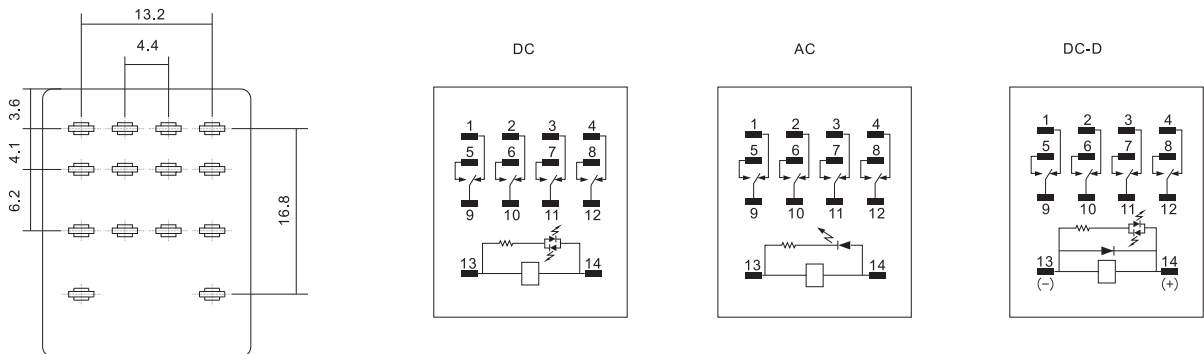


Wiring Diagrams

RKF2CO



RKF4CO



RKE - LS SEALED POWER RELAY Industrial Relay Series

Humidity proof
Oil proof
Dust proof



Features

- > Good performance in bad working condition, especially in much oil, dust, humidity places
- > 2 pole 7A; 4 pole 5A
- > With non-polarity LED integrated in relay
- > Conformity with RoHS Directive
- > IP62

Ordering Information

Contact form _____
2C (C: change over)
4C (C: change over)

Mount options _____
O: Plug in

Coil voltage _____
006~220: 6~220VDC
506~880: 6~380VAC

Options _____
LS: LED + Sealed
LSA: LED + Sealed + Signal Control

RKE □ □ □ □



Characteristics

Configuration		2C	4C
Contact	Rated current/ rated voltage	Resistive load 7A/250VAC 30VDC	5A/250VAC 30VDC
		Motor load 1/6HP 240VAC	
	Switching power (Resistive)	1750VA, 210W	1250VA 150W
	Initial contact resistance	≤50mΩ	
	Material	Ag alloy	
	Electrical durability	≥10 ⁵ times (1800 Ops/h)	
	Mechanical durability	≥10 ⁷ times (18000 Ops/h)	
Pick-up voltage (23℃)	DC: ≤75% (Rated voltage), AC: ≤80% (Rated voltage)		
Drop-out voltage (23℃)	DC: ≥10% (Rated voltage), AC: ≥30% (Rated voltage)		
Max. voltage (23℃)	110% (Rated voltage)		
Insulation resistance	≥500MΩ (500VDC)		
Coil operating power	DC(W)	approx. 0.9	
	AC(VA)	approx. 1.2	
Operation time (rated voltage)	≤20 ms		
Release time (rated voltage)	≤20 ms		
Initial breakdown voltage	Between open contacts	1000VAC/1min	
	Between poles	2000VAC/1min	
	Between contacts and Coil	2000VAC/1min	
Ambient temperature	-55~+70°C		
Shock resistance	10G		
Vibration resistance	10~55Hz double-amplitude:1.0mm		
Mounting	Plug in		
Unit weight	35g		

RKE MINIATURE GENERAL PURPOSE RELAY Industrial Relay Series

Coil Specifications (23°C)

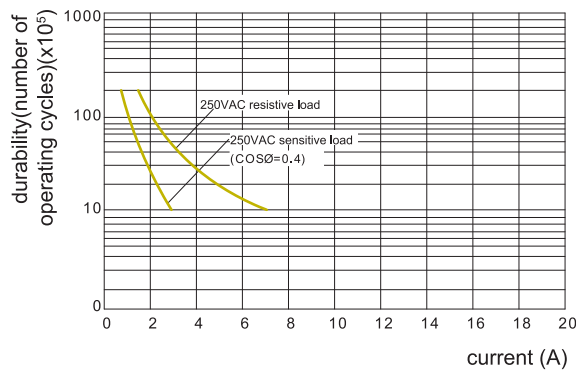
Voltage code	006	009	012	024	036	048	110	220		
Nominal voltage V.DC	6	9	12	24	36	48	110	220		
Coil resistance Ω	40	90	160	630	1500	2600	11000	42000		
Voltage code	506	512	524	536	548	615	720	730	740	880
Nominal voltage V.AC	6	12	24	36	48	115	220	230	240	380
Coil resistance Ω	11.5	40	160	370	600	4430	13000	16500	18790	42000

Remarks: Coil resistances under coil voltage 110V are measured with tolerances of 10%; above coil voltage 110V are measured with tolerances of 15%.

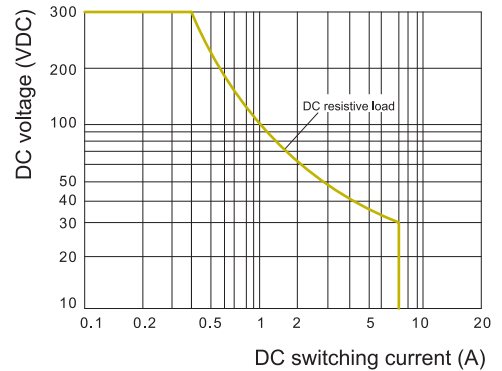
Contact Specification

RKE2CO-LS

Electrical durability contacts (resistive load)

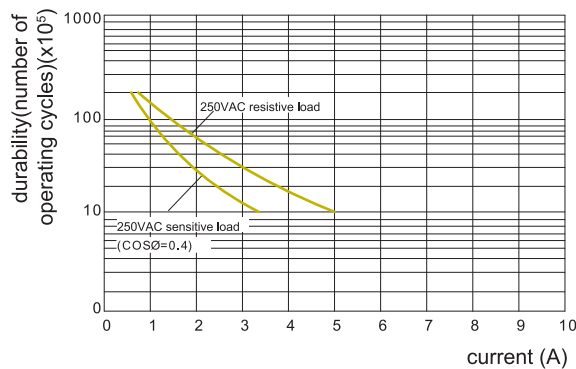


Maximum switching capacity on resistive load

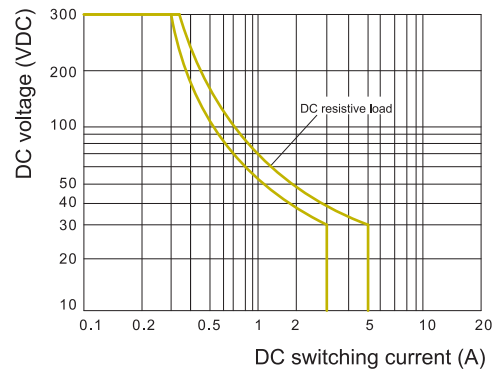


RKE4CO-LS

Electrical durability contacts (resistive load)

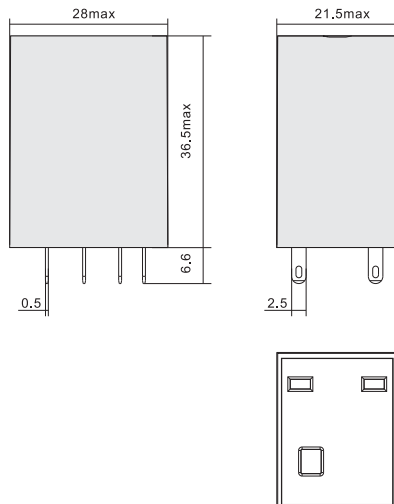


Maximum switching capacity on resistive load

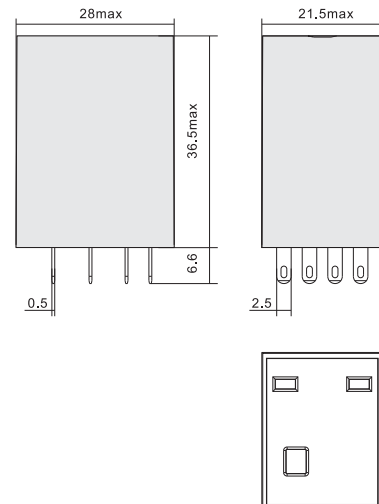


Dimensions (mm)

RKE2CO-LS



RKE4CO-LS



RKE & RKF MINIATURE GENERAL PURPOSE RELAY Industrial Relay Series

RKE & RKF Socket

>>> SKB08 - E >>> SKB14 - E >>> SKB14 - E

Presentation



10/12 AMPS 300 VOLTS



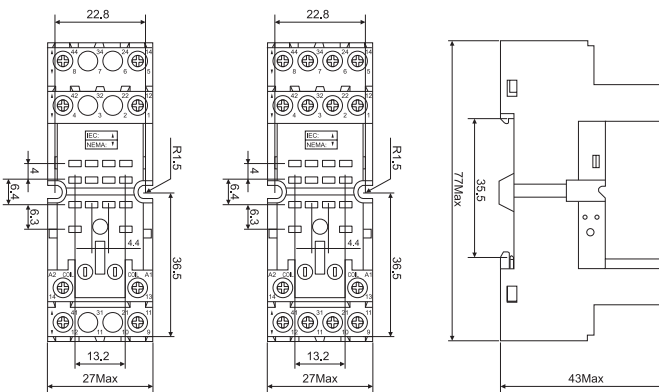
Characteristics

Type		SKB08-E	SKB14-E	
Nominal load	Current	A	12	10
	Voltage	V	300	
Dielectric strength	Between coil and contact	V/S	4000	
	Between contacts	V/S	2500	
Max. tightening torque	Nm	1.0		
Wire size	AWG/mm ²	20-14/0.5-2.5		
Ambient temperature	°C	-40~+85		
Unit weight	g	50	56	

Relay, accessories selection table

Socket	Plastic clip	Metal clip	ID tag	Module	DIN rail
SKB08-E	SK36F	SK36M	SK4P	AMD	PFP
SKB14-E					

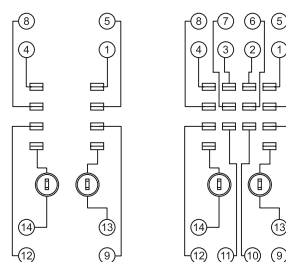
Dimensions (mm)



SKB08-E

SKB14-E

Connection Diagrams



SKB08-E

SKB14-E

>>> SKC08 - E >>> SKC08 - E >>> SKC14 - E

Presentation



10/12 AMPS 300 VOLTS



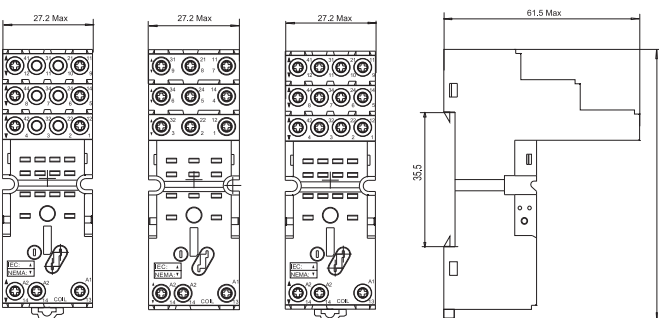
Characteristics

Type		SKC08-E	SKC11-E	SKC14-E	
Nominal load	Current	A	12	10	10
	Voltage	V	300		
Dielectric strength	Between coil and contact	V/S	4000		
	Between contacts	V/S	2500		
Max. tightening torque	Nm	1.0			
Wire size	AWG/mm ²	20-14/0.5-2.5			
Ambient temperature	°C	-40~+85			
Unit weight	g	50	56	62	

Relay, accessories selection table

Socket	Plastic clip	Metal clip	ID tag	Module	DIN rail
SKC08-E					
SKC11-E	SK36F	SK36M	SK4P	AMD	PFP
SKC14-E					

Dimensions (mm)

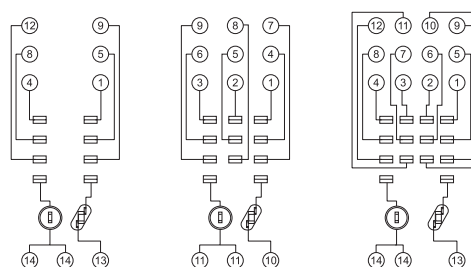


SKC08-E

SKC11-E

SKC14-E

Connection Diagrams



SKC08-E

SKC11-E

SKC14-E

RKE & RKF MINIATURE GENERAL PURPOSE RELAY Industrial Relay Series

RKE & RKF Socket

>>> SKC08-S >>> SKC14-S

Presentation



2C 12A; 4C 8A



Characteristics

Nominal load	Current	A	2C 12A; 4C 8A
	Voltage	V	300
Dielectric strength	Between coil and contact	V/S	4000
	Between contacts	V/S	2500
Max. tightening torque	Nm	1.0	
Wire size	AWG/mm ²	20-16/0.5-1.5	
Ambient temperature	°C	-40~+85	
Unit weight	g	70	

Relay, accessories selection table

Socket	Plastic clip	ID tag	Module	DIN rail
SKC14-S	SK36F	SR2P	AMD	DIN

>>> SKF08-E >>> SKF14-E

Presentation



10/12 AMPS 300 VOLTS



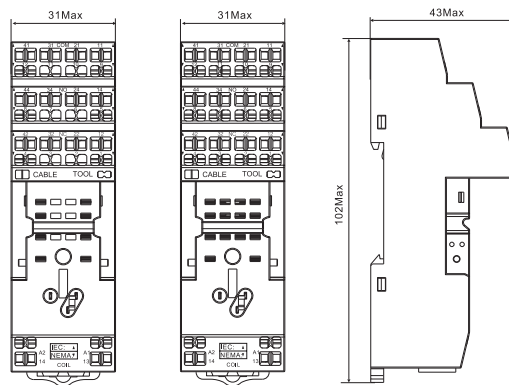
Characteristics

Type			SKF08-E	SKF14-E
Nominal load	Current	A	12	10
	Voltage	V	300	
Dielectric strength	V/S		2500	
Max. tightening torque	Nm		1	
Wire size	AWG/mm ²		20-14/0.5-2.5	
Ambient temperature	°C		-40~+85	
Unit weight	g		35	45

Relay, accessories selection table

Socket	Plastic clip	Metal clip	ID tag	Module	DIN rail
SKF08-E	-	SK36M	SK2P	-	PFP
SKF14-E	-			AMD	

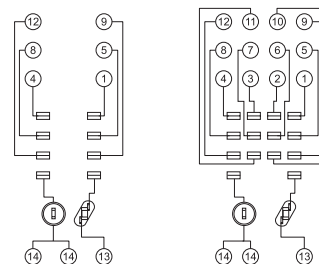
Dimensions (mm)



SKC08-S

SKC14-S

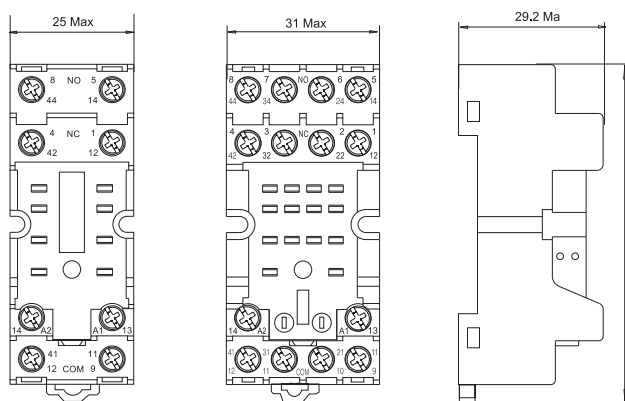
Connection Diagrams



SKC08-S

SKC14-S

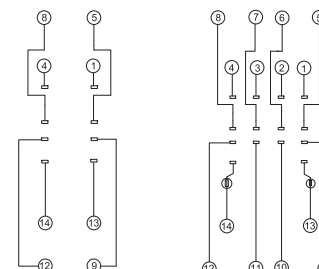
Dimensions (mm)



SKF08-E

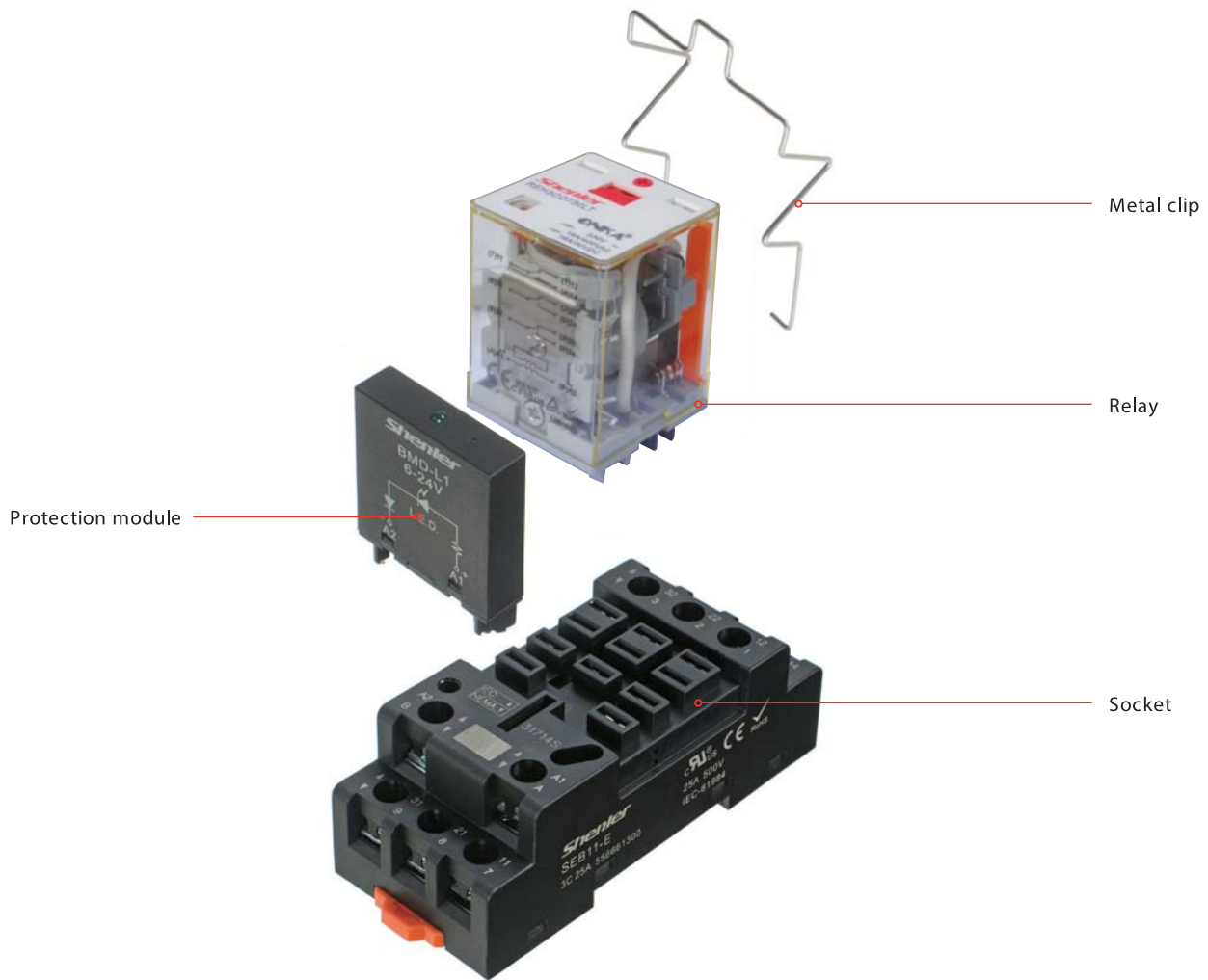
SKF14-E

Connection Diagrams



SKF08-E

SKF14-E



>>> Sockets selection table

	
SEB-11-E	SEB-11-P

REH POWER RELAY Industrial Relay Series



REH2CO



REH3CO



Features

- > 2 pole 3 pole contact load 16A
- > With non-polarity LED integrated in relay
- > With lockable test button and inspection window
- > Identification of coils through test button color (AC red/DC blue)
- > Conformity with RoHs Directive

Ordering Information

REH

Contact form _____
 2C (C: change over)
 3C (C: change over)

Mount options _____
 O: plug in

Coil voltage _____
 006~220: 6~220VDC
 506~900: 6~400VAC

Options _____
 LT:LED + test button
 LTD: LED + test button +diode

Characteristics

Contact	Configuration	2C, 3C	
	Rated current/ Rated voltage	Resistive load	16A/400VAC 30VDC
		Motor load	1/2HP, 120VAC; 1HP, 240VAC
	Switching capacity (resistive)	6400VA, 480W	
	Initial contact resistance	≤50mΩ	
	Material	Ag alloy	
	Electrical durability	≥10 ⁵ times (1800 Ops/h)	
	Mechanical durability	≥10 ⁷ times (18000 Ops/h)	
Pick-up voltage (23°C)	DC:≤75% (Rated voltage), AC:≤80% (Rated voltage)		
Drop-out voltage (23°C)	DC:≥10% (Rated voltage),AC:≥30% (Rated voltage)		
Maximum voltage (23°C)	110% (Rated voltage)		
Insulation resistance	≥1000mΩ (500VDC)		
Coil operating power	DC(W)	approx. 1.7	
	AC(VA)	approx. 2.5	
Operate time (at nominal voltage)	≤20 ms		
Release time (at nominal voltage)	≤20 ms		
Initial breakdown voltage	Between open contacts	1500VAC/1min	
	Between poles	4000VAC/1min	
	Between contacts and coil	4000VAC/1min	
Ambient temperature	-40~+55°C		
Humidity	35%~85%RH		
Air pressure	86~106KPa		
Shock resistance	10G		
Vibration resistance	10~55Hz double-amplitude:1.0mm		
Mounting	plug in		
Unit weight	approx. 90g		

REH POWER RELAY Industrial Relay Series

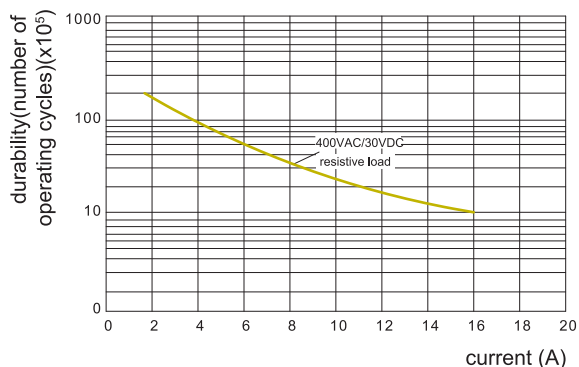
Coil Specifications (23°C)

Voltage code	006	012	024	048	110	220	
Nominal voltage V.DC	6	12	24	48	110	220	
Coil resistance Ω ($\pm 10\%$)	25	100	400	1600	8400	33000	
Voltage code	506	524	548	115	730	880	900
Nominal voltage V.AC	6	24	48	615	230	380	400
Coil resistance Ω ($\pm 10\%$)	8	100	350	2200	8000	26000	27000

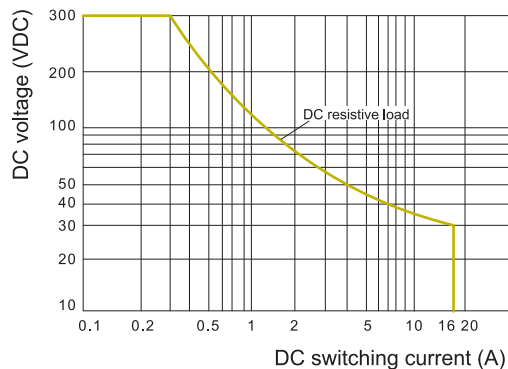
Contact Specification

REH2CO/3CO

Electrical durability contacts (resistive load)

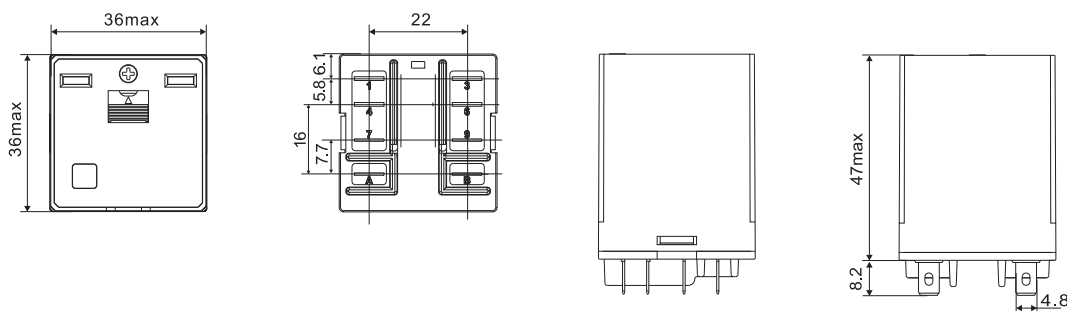


Maximum switching capacity on resistive load

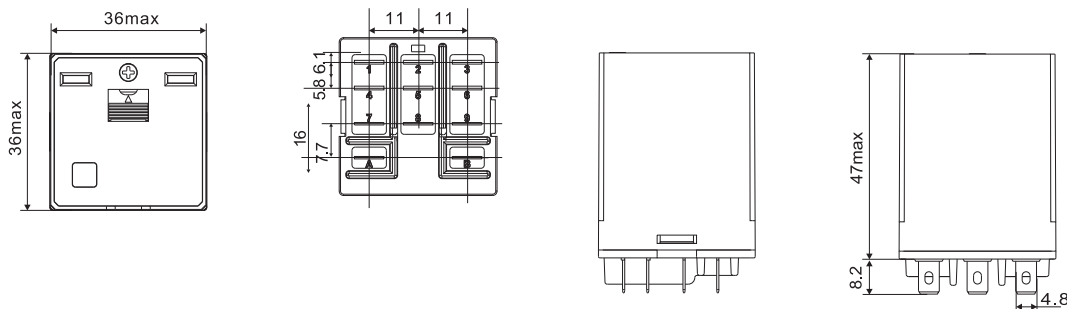


Dimensions (mm)

REH2CO

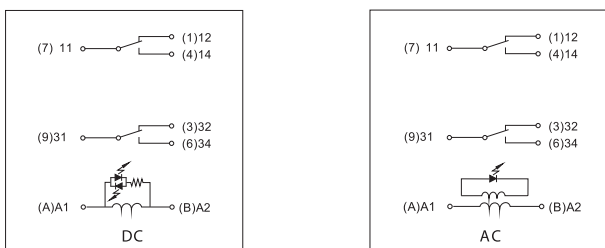


REH3CO

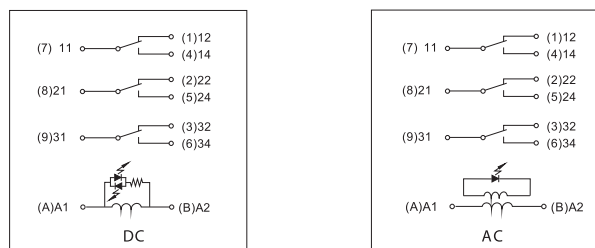


Wiring Diagrams

REH2CO



REH3CO



REH MAGNETIC BLOW -OUT POWER RELAY Industrial Relay Series



Features

- > 2 pole 3 pole contact load 16A
- > With blow-out magnet
- > With non-polarity LED integrated in relay
- > With lockable test button and inspection window
- > Identification of coils through test button color (AC red/DC blue)
- > Conformity with RoHs Directive

Ordering Information

REH

Contact form _____

1A (Normally open)

2A (Normally open)

Mount options _____

O: plug in

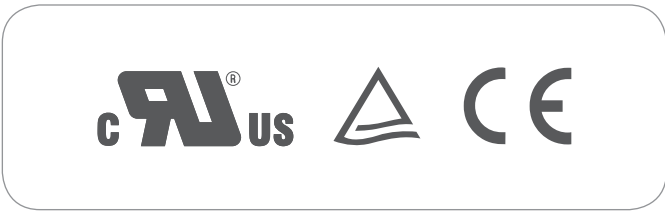
Coil voltage _____

012~220: 12~220VDC

524~900: 24~400VAC

Options _____

LT: LED + Test Button



Characteristics

Contac	Configuration		1A/2A
	Rated current/ Rated voltage	Resistance	16A/400VAC
		Resistance	16A/30VDC; 10A/220VDC
		Sensitive	3A/220VDC
	Switching capacity	Resistance	6400VA
		Resistance	480W; 2200W
		Sensitive	660W
	Initial contact resistance		≤50mΩ
	Material		Ag alloy
	Electrical durability		≥10 ⁵ times (1800 Ops/h)
Mechanical durability		≥10 ⁷ times (18000 Ops/h)	
Pick-up voltage (23°C)			DC:≤75% (Rated voltage), AC:≤80% (Rated voltage)
Drop-out voltage (23°C)			DC:≥10% (Rated voltage), AC:≥30% (Rated voltage)
Maximum voltage (23°C)			110% (Rated voltage)
Insulation resistance			≥1000MΩ (500VDC)
Coil operating power	DC(W)		approx. 1.5
	AC(VA)		approx. 2.5
Operate time (at nominal voltage)			≤20 ms
Release time (at nominal voltage)			≤20 ms
Initial breakdown voltage	Between open contacts		1500VAC/1min (Leakage current 1mA)
	Between poles		4000VAC/1min (Leakage current 1mA)
	Between contacts and coil		4000VAC/1min (Leakage current 1mA)
Ambient temperature			-40~+55°C
Humidity Air pressure			35%~85%RH
Air pressure			86~106KPa
Shock resistance			10G
Vibration resistance			10~55Hz double-amplitude:1.0mm
Mounting			plug in
Unit weight			approx. 90g

REH MAGNETIC BLOW -OUT POWER RELAY Industrial Relay Series

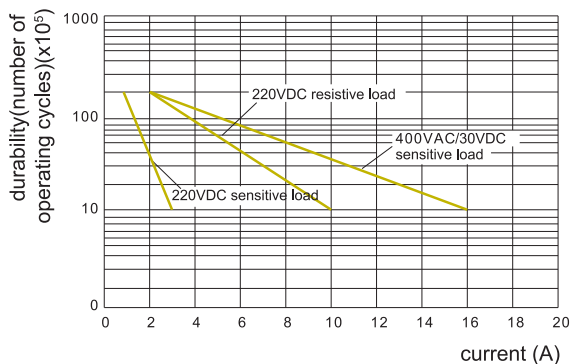
Coil Specifications (23°C)

Voltage code	012	024	048	110	220	
Nominal voltage V.DC	12	24	48	110	220	
Coil resistance Ω ($\pm 10\%$)	100	400	1600	8400	33000	
Voltage code	524	548	615	730	880	900
Nominal voltage V.AC	24	48	115	230	380	400
Coil resistance Ω ($\pm 10\%$)	100	350	2200	8000	26000	27000

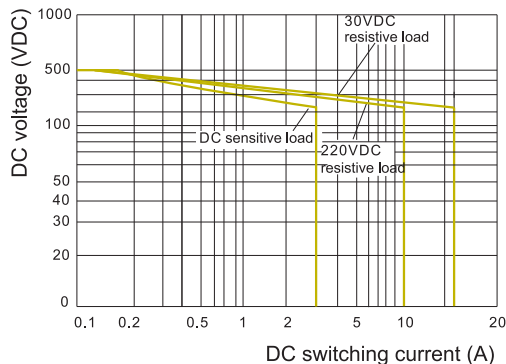
Contact Specification

REH1AO/2AO

Electrical durability contacts (resistive load)

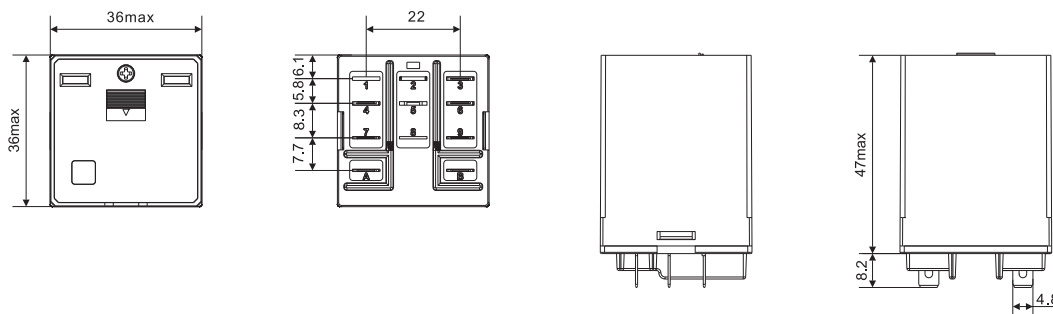


Maximum switching capacity on resistive load



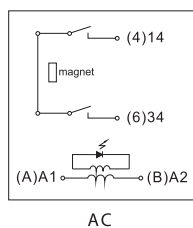
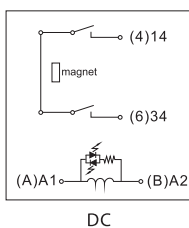
Dimensions (mm)

REH1AO/2AO

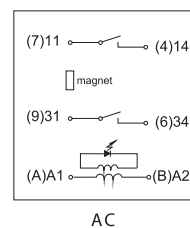
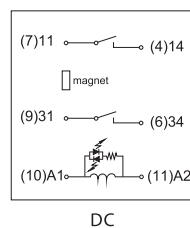


Wiring Diagrams

REH1AO



REH2AO



REH MAGNETIC BLOW -OUT POWER RELAY Industrial Relay Series

REH Socket

>>> SEB11-E

Presentation



25 AMPS 500 VOLTS



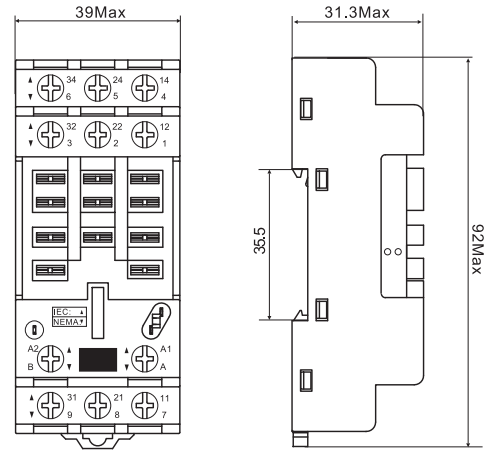
Characteristics

Nominal load	Current	A	25
	Voltage	V	500
Dielectric strength	Between coil and contact	V/S	4000
	Between contacts	V/S	4000
Max. tightening torque	Nm	1.2	
Wire size	AWG/mm ²	20-12/0.5-3.3	
Ambient temperature	°C	-40~+85	
Unit weight	g	64	

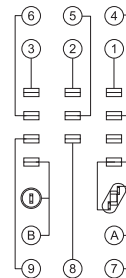
Relay, accessories selection table

Socket	Plastic clip	Metal clip	ID tag	Module	DIN rail
SEB11-E	-	SE52M	-	BMD	PFP

Dimensions (mm)



Connection Diagrams



>>> SEB11-P

Presentation



15 AMPS 300 VOLTS



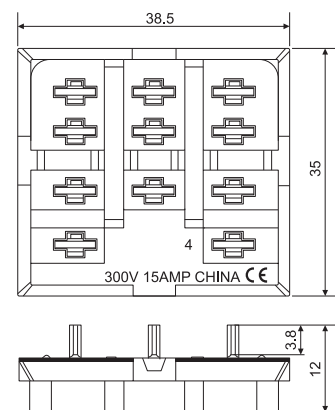
Characteristics

Nominal load	Current	A	15
	Voltage	V	300
Dielectric strength	V/S	2500	
Ambient temperature	°C	-40~+85	
Unit weight	g	8.4	

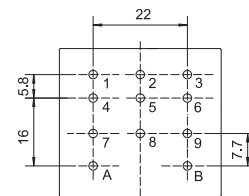
Relay, accessories selection table

Socket	Plastic clip	Metal clip	ID tag	Module	DIN rail
SEB11-P	-	SE48M	-	-	-

Dimensions (mm)



Connection Diagrams



RUB GENERAL PURPOSE RELAY Industrial Relay Series



>>> Sockets selection table

	
<p>SUB08-E SUB11-E</p>	<p>SUB08-A SUB11-A</p>

RUB GENERAL PURPOSE RELAY Industrial Relay Series



RUB2C



RUB3C



Features

- > 2 pole 3 pole contact load 10A
- > With non-polarity LED integrated in relay
- > With lockable test button and inspection window
- > Identification of coils through test button color (AC red/DC blue)
- > Conformity with RoHs Directive

Ordering Information

RUB

Contact form _____
 2C: 2 change over
 3C: 3 change over

Wiring type _____
 1:-1
 2:2-1
 5:5-1 (3C only)

Coil voltage _____
 006~220: 6~220VDC
 506~740: 6~240VAC

Options _____
 LT:LED + test button

Characteristics

Contact	Configuration	2C, 3C
	Rated current/Rated voltage	10A/250VAC 30VDC (resistive RES); 7A/250VAC 30VDC (perceptual GEN)
	Switching capacity (resistive)	2500VA, 300W
	Initial contact resistance	≤50mΩ
	Material	Ag alloy
	Electrical durability	≥10 ⁵ times (1800 Ops/h)
	Mechanical durability	≥10 ⁷ times (18000 Ops/h)
Pick-up voltage (23°C)		≤80%
Drop-out voltage (23°C)		DC:≥10%, AC:≥30%
Maximum voltage (23°C)		110%
Insulation resistance		≥100mΩ (500VDC)
Coil operating power	DC(W)	approx. 1.5
	AC(VA)	approx. 2.7
Operate time (at nominal voltage)		≤30 ms
Release time (at nominal voltage)		≤20 ms
Initial breakdown voltage	Between open contacts	1000VAC/1min
	Between poles	2500VAC/1min
	Between contacts and coil	2500VAC/1min
Ambient temperature		-10~+55°C
Humidity		35%~85%RH
Air pressure		86~106KPa
Shock resistance		10G
Vibration resistance		10~55Hz double-amplitude:1.5mm
Mounting		Plug in
Unit weight		approx. 85g

RUB GENERAL PURPOSE RELAY Industrial Relay Series

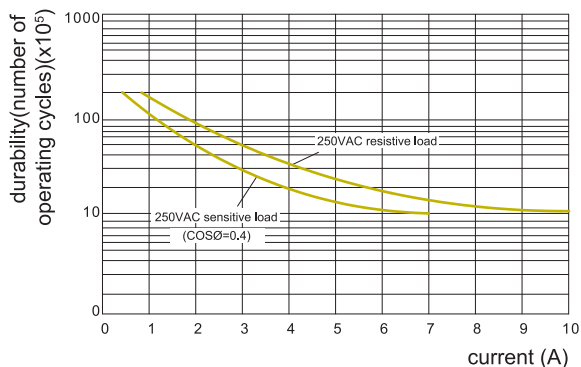
Coil Specifications (23°C)

Voltage code	006	009	012	024	036	048	110	220
Nominal voltage V.DC	6	9	12	24	36	48	110	220
Coil resistance Ω ($\pm 10\%$)	23.7	54	96	430	860	1640	7360	29500
Voltage code	506	512	524	536	548	615	730	740
Nominal voltage V.AC	6	12	24	36	48	115	230	240
Coil resistance Ω ($\pm 10\%$)	3.9	17	62.5	144	305	1250	5900	6500

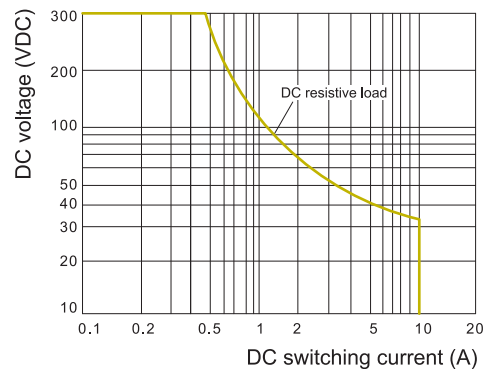
Contact Specification

RUB2CO/3CO

Electrical durability contacts (resistive load)

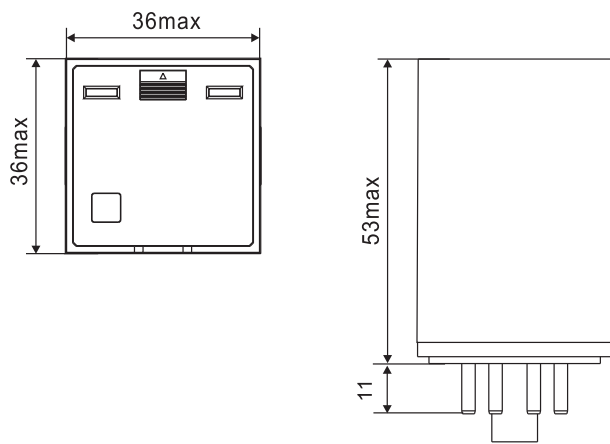


Maximum switching capacity on resistive load

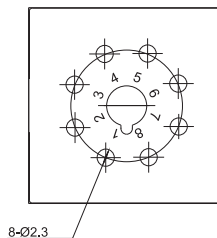


Dimensions (mm)

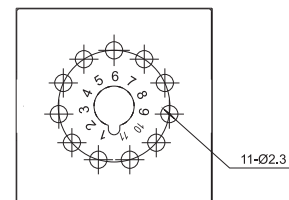
RUB



RUB2C

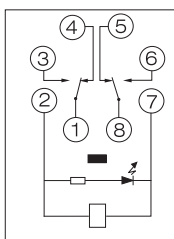


RUB3C

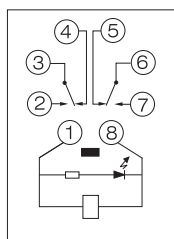


Wiring Diagrams

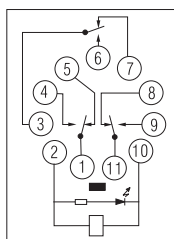
RUB2C1



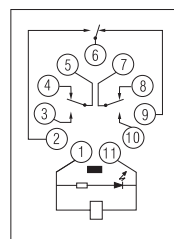
RUB2C2



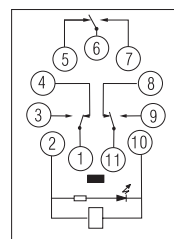
RUB3C1



RUB3C2



RUB3C5



RUB GENERAL PURPOSE RELAY Industrial Relay Series

RUB Socket

>>> SUB08 -E >>> SUB11 -E

Presentation



12 AMPS 300 VOLTS



Characteristics

Type		SUB08-E	SUB11-E
Nominal load	Current	A	12
	Voltage	V	300
Dielectric strength	V/S	2500	
Max. tightening torque	Nm	1.0	
Wire size	AWG/mm ²	20-14/0.5-2.5	
Ambient temperature	°C	-40~+85	
Unit weight	g	50	55

Relay, accessories selection table

Socket	Plastic clip	Metal clip	ID tag	Module	DIN rail
SUB08-E	-	SU60M	SU3P	BMD	PFP
SUB11-E	-	-	-	-	-

>>> SUB08 -A >>> SUB11 -A

Presentation



15 AMPS 300 VOLTS



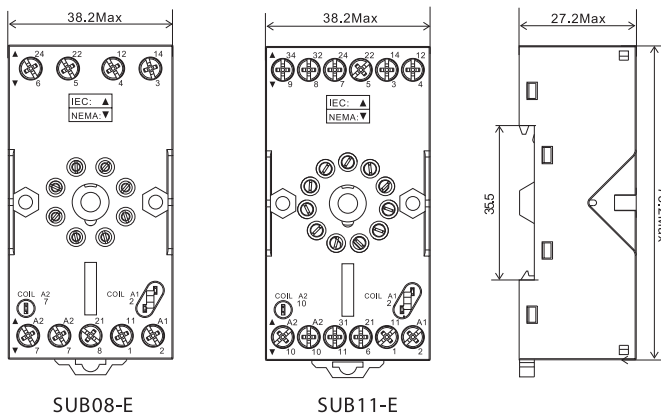
Characteristics

Type		SUB08-A	SUB11-A
Nominal load	Current	A	15
	Voltage	V	300
Dielectric strength	V/S	2500	
Max. tightening torque	Nm	1.0	
Wire size	AWG/mm ²	20-14/0.5-2.5	
Ambient temperature	°C	-40~+85	
Unit weight	g	37	50

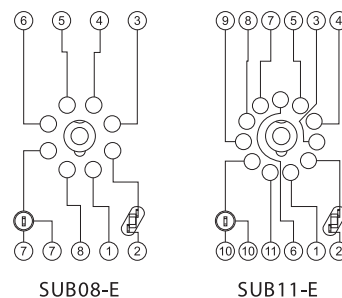
Relay, accessories selection table

Socket	Plastic clip	Metal clip	ID tag	Module	DIN rail
SUB08-A	-	-	-	-	PFP
SUB11-A	-	-	-	-	-

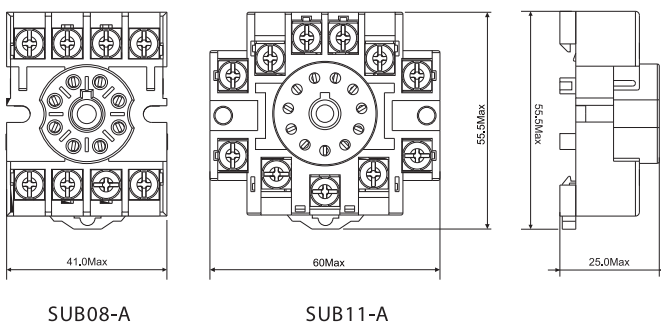
Dimensions (mm)



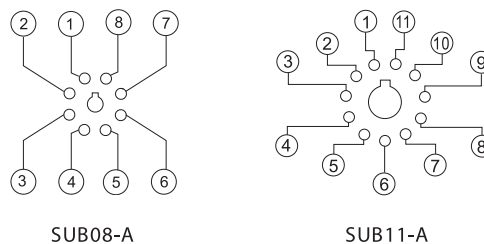
Connection Diagrams



Dimensions (mm)



Connection Diagrams



RGF POWER RELAY Industrial Relay Series



RGF2BU



RGF2OU



RGF2BD



Features

- > 1 pole 30A ; 2 pole 25A
- > Top-mounted 1/4" quick-connect terminals
- > Locating slot for DIN rail mounting
- > With finger protection cover
- > Conformity with RoHs directive

Ordering Information

Contact form

- 1: 1A (normal open)
- 2: 2A (normal open)

Mount options

- O: plug in OD: plug in & DIN rail
- OU: plug in & flange OK: plug in & clip
- P: PCB BU: screw terminal & flange
- BD: screw terminal & DIN rail

Coil voltage

- 006~220: 6~220VDC
- 506~900: 6~400VAC

Options

- L: with LED (only for BU and BD type)

RGF □ □ □ □

Characteristics

Configuration		1A	2A
Contact	Rated current/ Resistive load	277VAC, 30A	277VAC, 25A
	Rated voltage/ Motor load	1.5HP, 120VAC; 3HP, 240VAC	
	Switching capacity (resistive)	8310VA	6925VA
	Initial contact resistance	≤50mΩ	
	Material	Ag alloy	
	Electrical durability	≥10 ⁵ times (1800 Ops/h)	
	Mechanical durability	≥5 x 10 ⁷ times (18000 Ops/h)	
Pick-up voltage (23℄)		AC, DC: ≤75%	
Drop-out voltage (23℄)		AC, DC: ≥15%	
Maximum voltage (23℄)		110%	
Insulation resistance		≥1000MΩ (500VDC)	
Coil operating power	DC(W)	approx. 1.9	
	AC(VA)	approx. 2.5	
Operate time (at nominal voltage)		≤30 ms	
Release time (at nominal voltage)		≤30 ms	
Initial breakdown voltage	Between open contacts	2000VAC/1min	
	Between poles	2000VAC/1min	
	Between contacts and coil	4000VAC/1min	
Ambient temperature		-25~+55°C	
Humidity		35%~85%RH	
Air pressure		86~106KPa	
Shock resistance		10G	
Vibration resistance		10~55Hz double-amplitude: 1.5 mm	
Mounting		plug in type; screw type; PCB type; DIN rail mounting type	
Unit weight		plug in type about 90g; screw type around 120g	

RGF POWER RELAY Industrial Relay Series

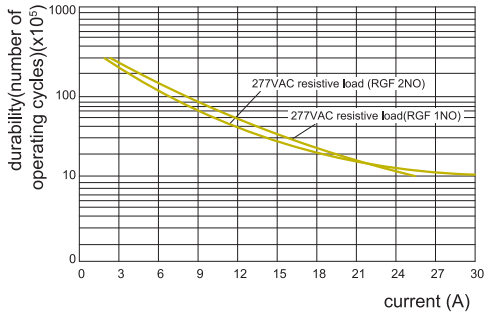
Coil Specifications (23°C)

Voltage code	006	012	024	048	110	220		
Nominal voltage V.DC	6	12	24	48	110	220		
Coil resistance Ω ($\pm 10\%$)	18.9	75	303	1220	6360	25474		
Voltage code	506	512	524	548	621	741	880	900
Nominal voltage V.AC	6	12	24	48	100-120	200-240	380	400
Coil resistance Ω ($\pm 10\%$)	17	65	275	1100	5200	21000	62650	62650

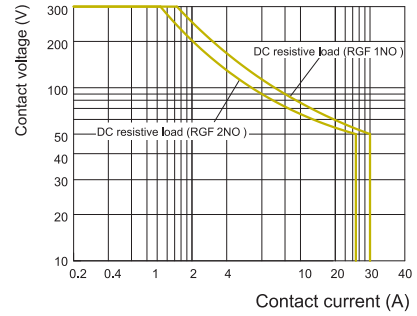
Contact Specification

RGF

Electrical durability contacts (resistive load)

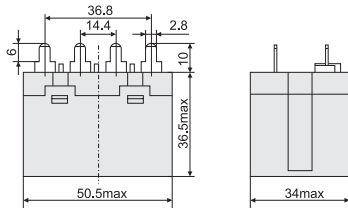


Maximum switching capacity on resistive load

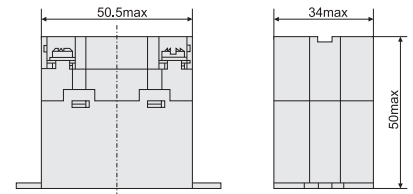


Dimensions (mm)

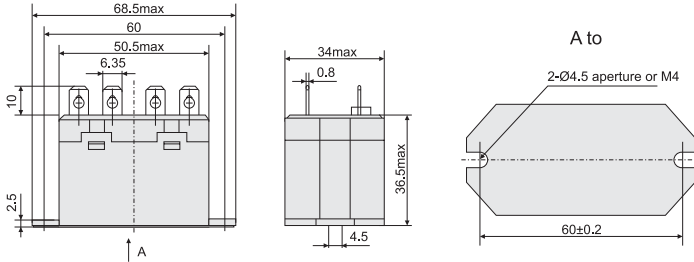
RGF1P/2P



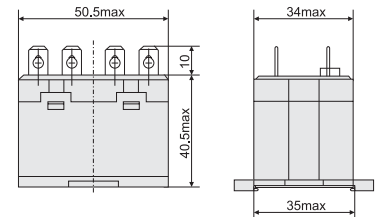
RGF1BU/2BU



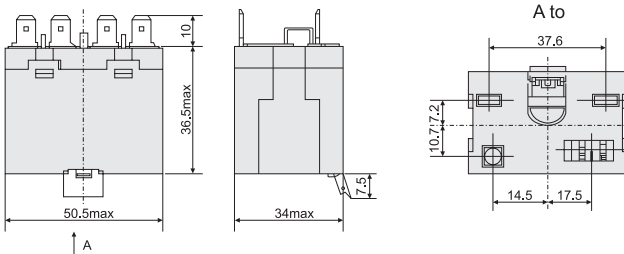
RGF10U/20U



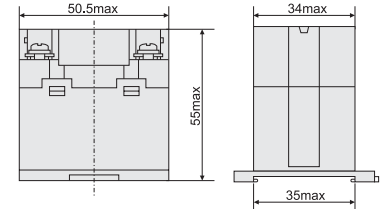
RGF10D/20D



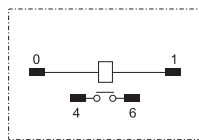
RGF10K/20K



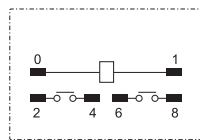
RGF1BD/2BD



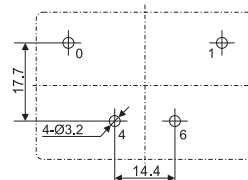
Wiring Diagrams



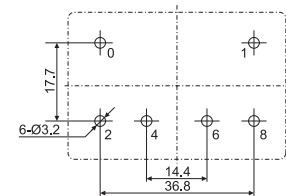
RGF



RGF2



RGF



RGF2

>>> SRB05 - E >>> SRB08 - E

Presentation



12 AMPS 300 VOLTS



Relay vs Clip selection table

Relay H (mm)	Clip Type
15	SR15L
20	SR20F
25	SR25C

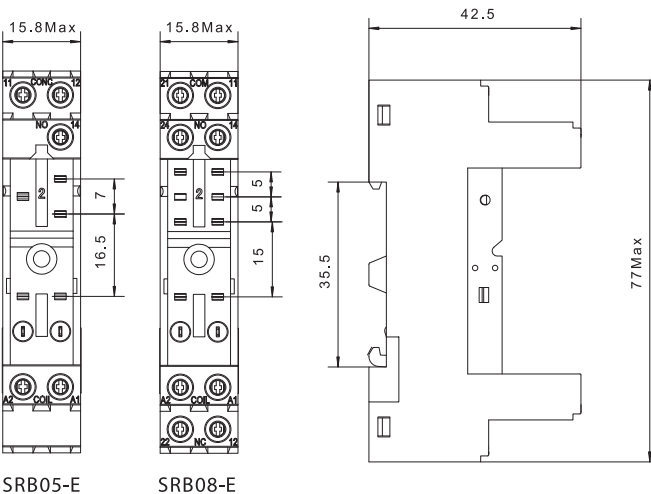
Characteristics

Type			SRB05-E	SRB08-E
Nominal load	Current	A	12	
	Voltage	V	300	
Dielectric strength	Between coil and contact	V/S	4000	
	Between contacts	V/S	2500	
Max. tightening torque	Nm		1.0	
Wire size	AWG/mm ²		20-14/0.5-2.5	
Ambient temperature	°C		-40~+85	
Unit weight	g		33	37

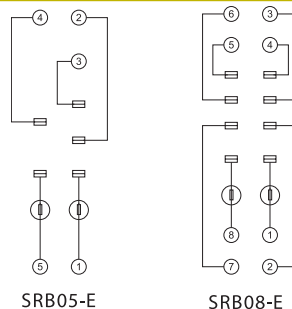
Relay, accessories selection table

Socket	Plastic clip	Metal clip	ID tag	Module	DIN rail
SRB05-E	SR15L/20F/25C	-	SR2P	AMD	PFP
SRB08-E					

Dimensions (mm)



Connection diagrams



>>> SRC05 - E >>> SRC08 - E

Presentation



12 AMPS 300 VOLTS



Relay vs Clip selection table

Relay H (mm)	Clip Type
15	SR15L
20	SR20F
25	SR25C

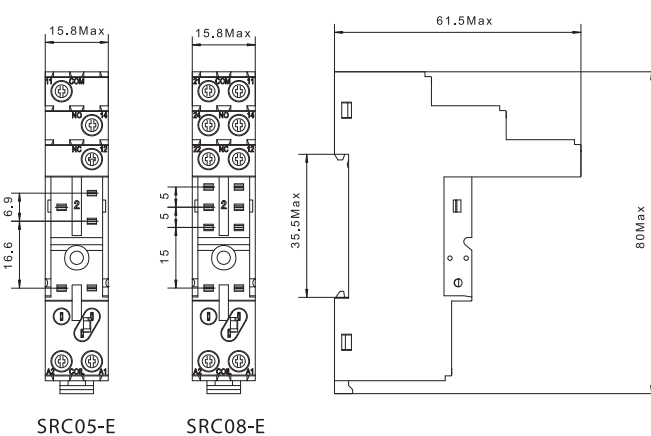
Characteristics

Type			SRC05-E	SRC08-E
Nominal load	Current	A	12	
	Voltage	V	300	
Dielectric strength	Between coil and contact	V/S	4000	
	Between contacts	V/S	2500	
Max. tightening torque	Nm		1.0	
Wire size	AWG/mm ²		20-14/0.5-2.5	
Ambient temperature	°C		-40~+85	
Unit weight	g		33	37

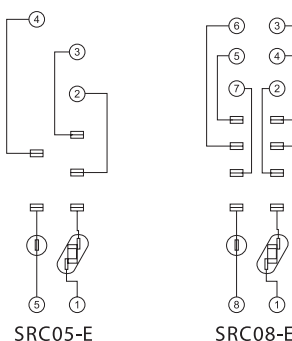
Relay, accessories selection table

Socket	Plastic clip	Metal clip	ID tag	Module	DIN rail
SRC05-E	SR15L/20F/25C	-	SR2P	AMD	PFP
SRC08-E					

Dimensions (mm)



Connection diagrams











SOCKET ACCESSORIES Socket and Accessory Series

SK36F	SK28L	SR25C	SR20F	SR20T	SR15L
					
SKB/SKC series	SKB/SKC series	SRC/SRC/SRU series	SRC/SRC series	SRU series	SRC/SRB series

SN20S	SR2P	SK4P	SK2P	SU3P
				
SNC05-E/S	SRC/SRB series	SKC/SKB series	SKE/SKF series	SUB series

SN64P	SN20B	PFP	SY36S	SR15M
				
SNC05-E/S	SNC05-E/S	DIN	SYF series	SRC05/08-P

SR1520M	SR2025M	ST36M4C	ST36M3C	SK36M	SE48M	SE52M	SU60M
							
SRC05/08-P	SRC05/08-P	STB14-E	STB11-E	SKC/SKB/SKE/SKF series	SEB11-P	SEB11-E	SUB series

SOCKET ACCESSORIES Socket and Accessory Series

AMD Module



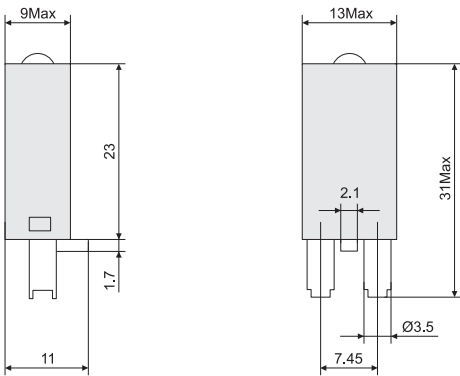
Features

- > For surge suppressor
- > With LED
- > Work with relay socket

Ordering Information

Description		AMD - □ □ □
L : LED	ML: Varistor + LED	
LDD: LED + diode	M: Varistor	
RC: RC circuit	D: diode	
Polarity		
1: A1 = + A2 = -	2: A1 = - A2 = +	
Voltage		
As per below schemes		

Dimensions and Schemes (mm)



	AMD-L 6-24VAC/DC	AMD-L1 6-24VAC/DC	AMD-L 110-240VAC/DC	AMD-L1 110-240VAC/DC	AMD-LDD 6-24VDC			
	AC/DC circuit + LED	AC/DC circuit + LED	AC/DC circuit + LED	AC/DC circuit + LED	DC circuit + LED + Diode			
AMD-LDD1 6-24VDC	AMD-LDD 110V/240VDC	AMD-LDD1 110V/240VDC	AMD-D 6-250VDC	AMD-D1 6-250VDC	AMD-ML 24VAC/DC	AMD-ML1 24VAC/DC	AMD-ML 120VAC/DC	
DC circuit + LED + Diode	DC circuit + LED + Diode	DC circuit + LED + Diode	DC circuit + Diode	DC circuit + Diode	AC/DC circuit + LED + Varistor	AC/DC circuit + LED + Varistor	AC/DC circuit + LED + Varistor	
AMD-ML1 120VAC/DC	AMD-ML 240VAC/DC	AMD-ML1 240VAC/DC	AMD-RC 6-24VAC	AMD-RC 110V/240VAC	AMD-M 24VAC/DC	AMD-M 120VAC/DC	AMD-M 240VAC/DC	
AC/DC circuit + LED + Varistor	AC/DC circuit + LED + Varistor	AC/DC circuit + LED + Varistor	AC circuit + RC	AC circuit + RC	AC/DC circuit + Varistor	AC/DC circuit + Varistor	AC/DC circuit + Varistor	

BMD Module



Features

- > For surge suppressor
- > With LED
- > Work with relay socket

Ordering Information

Description

- L : LED
- LDD: LED + diode
- RC: RC circuit
- ML: Varistor + LED
- M: Varistor
- D: diode

Polarity

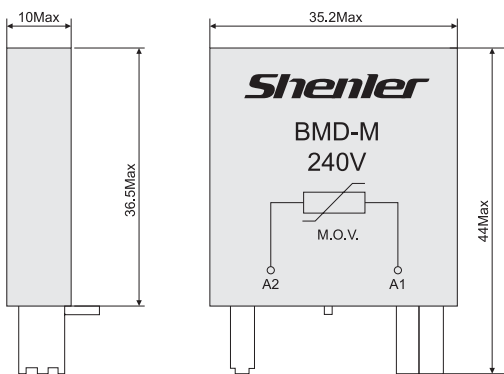
- 1: A1 = + A2 = -
- 2: A1 = - A2 = +

Voltage

As per below schemes

BMD -

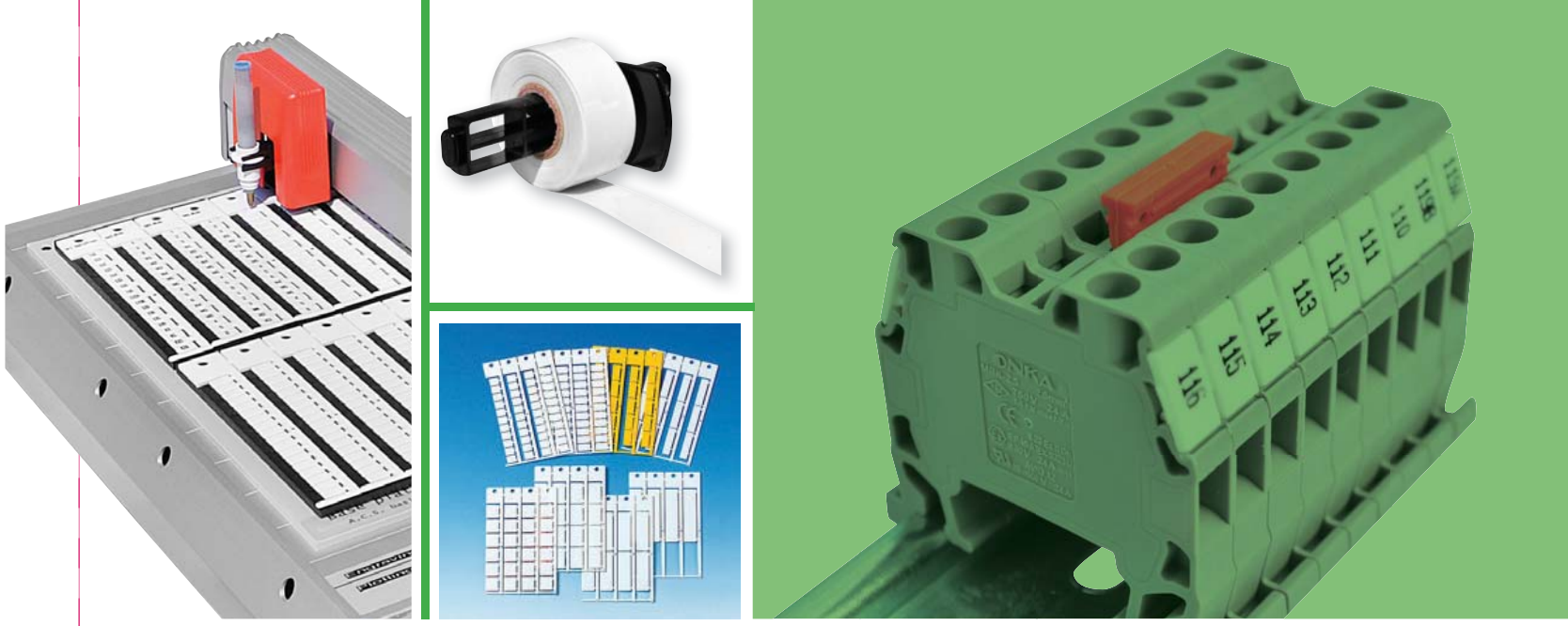
Dimensions and Schemes (mm)



BMD-L 6-24VAC/DC	BMD-L1 6-24VAC/DC	BMD-L 110-240VAC/DC	BMD-L1 110-240VAC/DC	BMD-LDD 6-24VDC			
AC/DC circuit + LED	AC/DC circuit + LED	AC/DC circuit + LED	AC/DC circuit + LED	DC circuit + LED + Diode			
BMD-LDD1 6-24VDC	BMD-LDD 110V/240VDC	BMD-LDD1 110V/240VDC	BMD-D 6-250VDC	BMD-D1 6-250VDC	BMD-ML 24VAC/DC	BMD-ML1 24VAC/DC	BMD-ML 120VAC/DC
DC circuit + LED + Diode	DC circuit + LED + Diode	DC circuit + LED + Diode	DC circuit + Diode	DC circuit + Diode	AC/DC circuit + LED + Varistor	AC/DC circuit + LED + Varistor	AC/DC circuit + LED + Varistor
BMD-ML1 120VAC/DC	BMD-ML 240VAC/DC	BMD-ML1 240VAC/DC	BMD-RC 6-24VAC	BMD-RC 110V/240VAC	BMD-M 24VAC/DC	BMD-M 120VAC/DC	BMD-M 240VAC/DC
AC/DC circuit + LED + Varistor	AC/DC circuit + LED + Varistor	AC/DC circuit + LED + Varistor	AC circuit + RC	AC circuit + RC	AC/DC circuit + Varistor	AC/DC circuit + Varistor	AC/DC circuit + Varistor



MARKING SYSTEMS MARKALAMA SİSTEMLERİ



MARKING SYSTEMS

Technical Features:

The strip labeling system is designed as 2 x Double (40 meters).

- The 10 x 6 mm marker for terminal blocks, which can be printed with a plotter printer, can be marked 10 times at a time onto the all 2.5 mm² terminal blocks.
- 10 x 6 mm markers for terminal blocks, which can be printed with a plotter printer, are available in two varieties: individual cut and combined cut. In this case 4 mm² and above can be assembled without burrs without breaking.
- 5 x 5 mm (OD5) markers for terminal blocks, can be mounted in one time onto MRK 1.5 mm².
- The KCG type cable marking systems are fitted with a possibility to attach after installation by passing the cable from the top until the 6 mm² cable cross section.

MARKALAMA SİSTEMLERİ

Teknik Özellikler:

Şerit etiketleme sistemi 2 x Double (40 metre) olarak dizayn edilmiştir.

- Plotter yazıcı ile yazdırılabilen 10 x 6 mm dekafixler, 2,5mm²'lik tüm klemenslere tek seferde 10 adet takılabilmektedir.
- Plotter yazıcı ile yazdırılabilen 10 x 6 mm dekafixler, tek tek kopan ve birleşik kopan olmak üzere iki çeşittir. Bu sayede 4 mm² ve üzeri klemenslerde kopartma işlemi yapmadan çapaksız montaj yapılabilmektedir.
- 5 x 5 mm (OD5) dekafixler, MRK 1,5 mm² klemenslere tek seferde 10 adet takılabilmektedir.
- KCG tipi kablo işaretleme sistemleri 6 mm²'lik kablo kesitine kadar kabloya üstten geçmek sureti ile montajdan sonra takılabileme imkanı sunmaktadır.

MARKING SYSTEMS

MARKALAMA SİSTEMLERİ

THE ROLL LABELLING MARKING SYSTEM KLEMENSLER İÇİN ŞERİT MARKALAMA SİSTEMİ



2x Double Strip

Total Strip Length 40 meters

Toplam Şerit Uzunluğu 40 metre



2 x 11 mm Double Strip Label
2 x 11 mm Duple Şerit Etiket



ONKA 7304 (TLP 2824 Plus) YAZICI ÖZELLİKLERİ

BASKI YÖNTEMİ	: Termal Transfer (Ribonlu yazdırma) Direkt Termal (Ribonsuz yazdırma)
ÇÖZÜNÜRLÜK	: 203 Dpi (8 nokta / mm ²)
BASKI HIZI	: En fazla 102 mm / sn (4 ips)
BASKI GENİŞLİĞİ	: En fazla 56 mm
BASKI UZUNLUĞU	: En fazla 991 mm
BAĞLANTI TİPLERİ	: Otomatik algılamalı seri port ile USB ve Seri RS-232 Centronics Paralel (36 Pin) USB (opsiyon) 10/100 dahili Ethernet
BOYUT	: 135 mm X 178 mm X 241 mm
AĞIRLIK	: 1,6 Kg (Etiket ve Ribon Olmadan)

ONKA 7304 (TLP 2824 Plus) PRINTER DESCRIPTIONS

PRINTING METHOD	: Thermal Transfer (Ribon Printing) Direct Thermal Transfer (Without Ribon Printing)
RESOLUTION	: 203 Dpi (8 point / mm ²)
PRINTING SPEED	: Max.102 mm / sn (4 ips)
PRINTING WIDTH	: Max. 56 mm
PRINTING LENGTH	: Max. 991 mm
CONNECTION TYPES	: Parallel (LPT), Serial Port (RS-232C) and USB 2.0
SIZE	: 135 mm X 178 mm X 241 mm
WEIGHT	: 1,6 Kg (Without labels and ribbons)

CODE / KOD	DESCRIPTIONS / ÖZELLİKLER	Pcs. / Ad.
ONKA-7304	TLP 2824 Plus Thermal Transfer Printer / Termal Transfer Yazıcı	1
ONKA-7301	11mm x 2 x 20 mt. Double Strip Label (For Terminal Blocks) Duble Şerit Etiket (Klemensler için)	20 m x 2
ONKA-7302	35 mm x 300 mt. Black Label / Siyah Ribon	300 mt.
ONKA-7303	55 mm x 74 mt. Black Label / Siyah Ribon	74 mt.

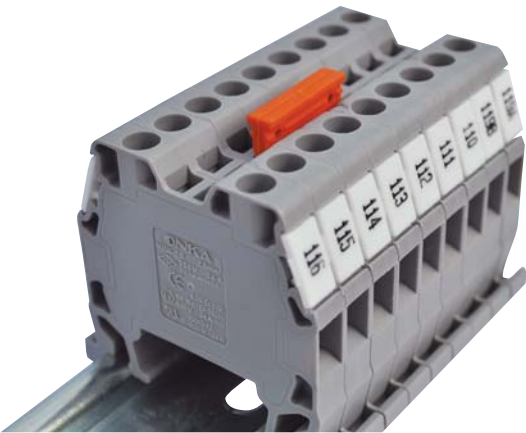
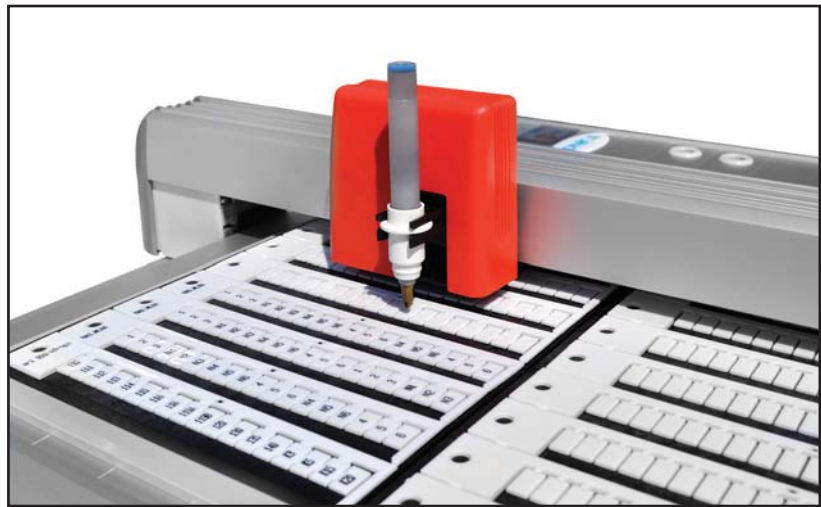
PLOTTER PRINTER AND DEKAFIX MARKING SYSTEMS (FOR TERMINAL BLOCKS) PLOTTER YAZICI VE DEKAFIX MARKALAMA SİSTEMLERİ (KLEMENSLER İÇİN)



**SINGLE USE PEN
TEK KULLANIMLIK
KALEM**



**FILLABLE PEN
DOLDURULABİLİR KALEM**



CODE / KOD	DESCRIPTIONS / ÖZELLİKLER	PCS/AD.
BRAD-PLOTBASIC	A4 Plotter Printer / Plotter Yazıcı	1
BRAD-PEN025.A	025 Single use plotter pen (Black) / Tek kullanımlık plotter kalem (Siyah)	1
BRAD-SAP025	025 Fillable plotter pen / Doldurulabilir plotter kalem (Siyah)	1
BRAD-SAGN60.A	Ink (Black) 30 ml / Mürekkep (Siyah)	1

PLOTTER PRINTER AND DEKAFIX MARKING SYSTEMS (FOR TERMINAL BLOCKS) PLOTTER YAZICI VE DEKAFIX MARKALAMA SİSTEMLERİ (KLEMENSLER İÇİN)

OD10-6P YAZICI İLE YAZDIRILABİLEN BASKILI VE BASKISIZ DEKAFİKLER

OD10-6P Klemens markalamaları ONKA üretimindeki tüm ürünlere uygulanabilmektedir. OD10-6P Dekafixler opsiyonları ile markalama alanında birçok alternatif oluşturabilme imkanı sunmaktadır. Kısa sayı dizileri, harfler ve işaretler net bir şekilde OD10-6P Dekafix üzerine yazılarak markalama uygulamaları yapılabilmektedir.

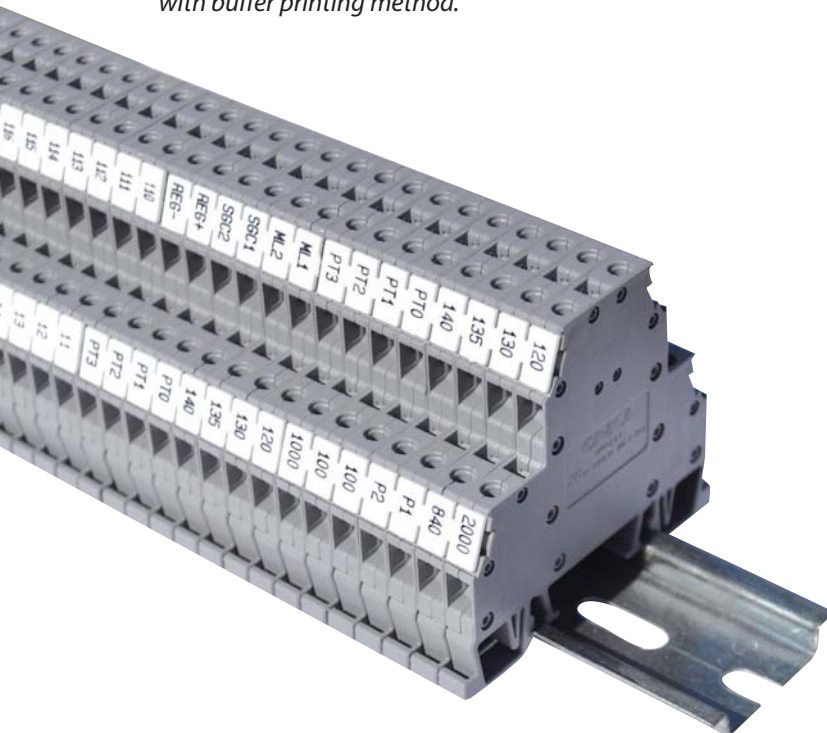
Ayrıca; kullanıcıya özel talep edilen tüm varyasyonlar ürünün kapsamı doğrultusunda yazıcılar ile yazdırılmak suretiyle yapılabilmektedir.

- Hızlı uygulama için birleşik halde tasarlanmıştır. (Tek tek kopan alternatifi de mevcuttur.)
- **2,5 mm²' lik tüm klemenslerde tek seferde 10 adet dekafix hızlı bir şekilde montaj edilebilmektedir.** Diğer ürünlerde ise; tek tek kopartılarak kullanılmaktadır.
- Dikey pozisyonda max. 3 karakter, yatayda ise max. 6 karaktere kadar yazılabilmektedir.
- Kullanıcı taleplerine göre yazıcılar ile yazdırılarak özel baskı opsiyonları uygulanabilmektedir.
- Özel silinmez mürekkep sayesinde, sadece yazıcılar ile yazdırılarak OD10-6P Dekafixin üzerine baskı yapılabilmektedir.

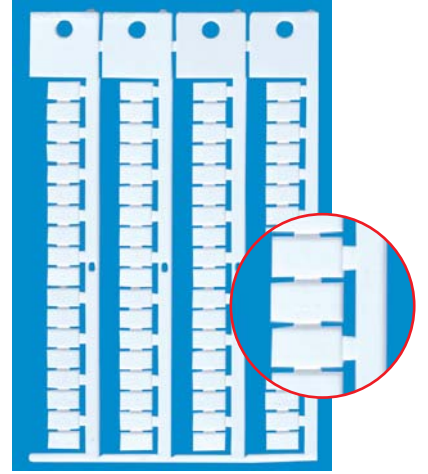
OD10 PRINTED AND PRESSED LABELS

OD10-6P Terminal markings can be applied to all products of ONKA production. With the OD10-6P Decafixes options, it is possible to create many alternatives in the marking field. Short number sequences, letters and marks can be clearly written on the OD10-6P Decafix for marking applications. Also; All variations requested by the user can be done in line with the scope of the product.

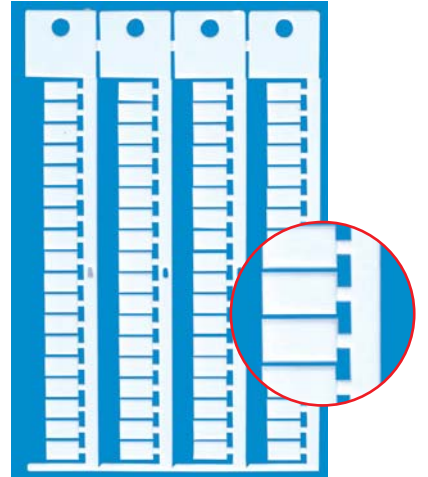
- Designed to be united for rapid application.
- All 2.5 mm² terminals can be installed with a single operation with 10 decafixes at a time. For other products; it is done one by one.
- In the vertical position max. 3 characters, horizontally max. Up to 6 characters can be written.
- Special printing options can be applied according to user requests.
- Due to special non-durable ink, only OD10-6P Decafix can be printed with buffer printing method.



COMBINED LABEL / BİRLEŞİK KOPAN
Order No: 4440 - (Printless / Baskısız)
Order No: 4441 - (Printed / Baskılı)



ONE BY ONE LABEL / TEK TEK KOPAN
Order No: 4442 - (Printless / Baskısız)
Order No: 4443 - (Printed / Baskılı)



TECHNICAL DATA / TEKNİK VERİ

Material / Malzeme	PC
Temp./ Sıcaklık	-40 °C, +140 °C
Printing Colour / Baskı Rengi	Black / Siyah
Dimension / Ölçü	6 mm x 10 mm

ORDERING DATA / SİPARİŞ VERİLERİ

Box Pcs./ Kutu Adedi	720 Pcs. / Ad. 1 Card: 18 x 4 = 72 dekafix
Pitch / Ara Ölçü	OD5 = 5 mm x 5 mm OD10 = 6 mm x 10 mm
Printing Variations / Baskı Alternatifleri	Yatay baskı, dikey baskı, sayı, harf, işaretler.
Character of no. / Karakter Sayısı	Horizontal / Yatay: Max. 6 Vertical / Dikey: Max. 3
Special Printing / Özel Baskı	Specify colour and characters for special printing / Özel baskı için renk ve karakterleri belirtiniz.

DEKAFIX MARKING SYSTEMS (FOR TERMINAL BLOCKS) DEKAFIX MARKALAMA SİSTEMLERİ (KLEMENSLER İÇİN)

OD5 BASKILI VE BASKISIZ DEKAFIXLER

OD5 Klemens markalamaları ONKA üretimindeki tüm ürünlere uygulanabilmektedir. OD5 Dekafixler opsiyonları ile markalama alanında birçok alternatif oluşturabilme imkanı sunmaktadır. Kısa sayı dizileri, harfler ve işaretler net bir şekilde OD5 Dekafix üzerine yazılarak markalama uygulamaları yapılabilmektedir.

Ayrıca; kullanıcıya özel talep edilen tüm varyasyonlar ürünün kapsamı doğrultusunda yapılabilmektedir.

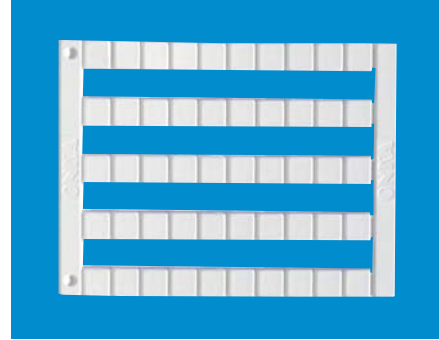
- Hızlı uygulama için birleşik halde tasarlanmıştır.
- **1,5 mm² ' lik tüm klemenslerde tek seferde 10 adet dekafix hızlı bir şekilde montaj edilebilmektedir.** Diğer ürünlerde ise; tek tek kopartılarak kullanılmaktadır.
- Maximum 3 karakter yazılabilmektedir.
- Kullanıcı taleplerine göre özel baskı opsiyonları uygulanabilmektedir.
- Özel silinmez mürekkep sayesinde, sadece tampon baskı yöntemi ile OD5 Dekafixin üzerine baskı yapılabilmektedir.

OD5 PRINTED AND PRESSED LABELS

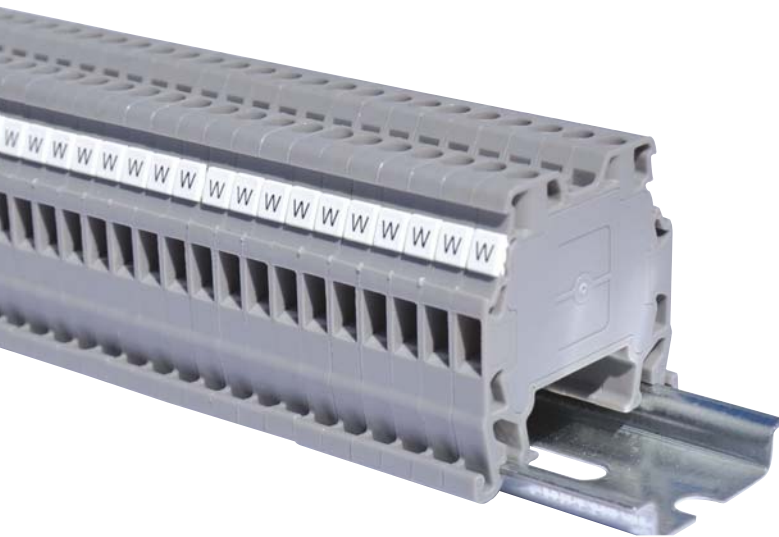
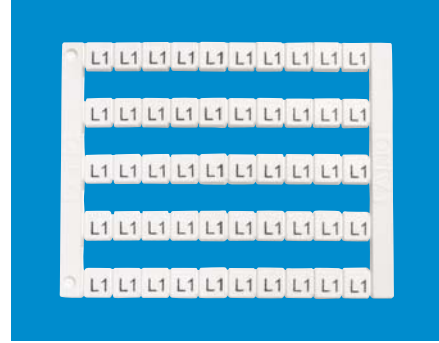
OD5 Terminal markings can be applied to all products of ONKA production. With the OD5 label options, it offers the possibility to create many alternatives in the marking field. Short number sequences, letters and marks can be clearly written on the OD5 Labeling for labeling the product. Also; All variations requested by the user can be done in line with the scope of the product.

- Designed to be united for rapid installation.
- For 10 x 1.5 mm² terminal blocks, it provides fast mounting in one operation. For other products; It is done One by one.
- Maximum 3 characters can be written.
- Special printing options can be applied according to user requests.
- With the special non-durable ink, it can be printed with only buffer printing method for OD5 Labels.

Order No: 9540 - (Printless / Baskısız)



Order No: 9541 - (Printed / Baskılı)



TECHNICAL DATA / TEKNİK VERİ	
Material / Malzeme	PA6.6 V2
Temp./ Sıcaklık	-40 °C, +140 °C
Printing Colour / Baskı Rengi	Black / Siyah
Dimension / Ölçü	5 mm x 5 mm
ORDERING DATA / SİPARİŞ VERİLERİ	
Box Pcs./ Kutu Adedi	500 Pcs. / Ad. 1 Card: 10 x 5 = 50 dekafix
Pitch / Ara Ölçü	OD5 = 5 mm x 5 mm OD10 = 6 mm x 10 mm
Printing Variations / Baskı Alternatifleri	Yatay baskı, dikey baskı, sayı, harf, işaretler.
Character of no. / Karakter Sayısı	Horizontal / Yatay: Max. 3 Vertical / Dikey: Max. 3
Special Printing / Özel Baskı	Specify colour and characters for special printing / Özel baskı için renk ve karakterleri belirtiniz.

DEKAFIX MARKING SYSTEMS (FOR TERMINAL BLOCKS) DEKAFIX MARKALAMA SİSTEMLERİ (KLEMENSLER İÇİN)

OD10 BASKILI VE BASKISIZ DEKAFİXLER

OD10 Klemens markalamaları ONKA üretimindeki tüm ürünlere uygulanabilmektedir. OD10 Dekafixler opsiyonları ile markalama alanında birçok alternatif oluşturabilme imkanı sunmaktadır. Kısa sayı dizileri, harfler ve işaretler net bir şekilde OD10 Dekafix üzerine yazılarak markalama uygulamaları yapılabilmektedir.

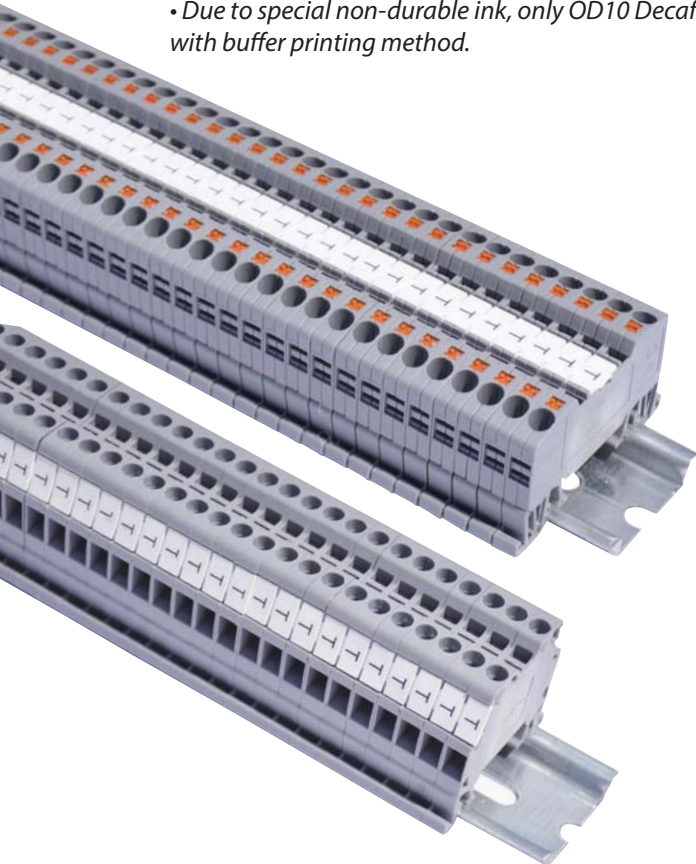
Ayrıca; kullanıcıya özel talep edilen tüm varyasyonlar ürünün kapsamı doğrultusunda yapılabilmektedir.

- Hızlı uygulama için birleşik halde tasarlanmıştır.
- **2,5 mm²' lik tüm klemenslerde tek seferde 10 adet dekafix hızlı bir şekilde montaj edilebilmektedir.** Diğer ürünlerde ise; tek tek kopartılarak kullanılmaktadır.
- Dikey pozisyonda max. 3 karakter, yatayda ise max. 6 karaktere kadar yazılabilmektedir.
- Kullanıcı taleplerine göre özel baskı opsiyonları uygulanabilmektedir.
- Özel silinmez mürekkep sayesinde, sadece tampon baskı yöntemi ile OD10 Dekafixin üzerine baskı yapılabilmektedir.

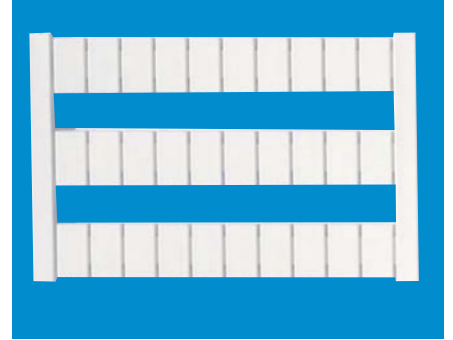
OD10 PRINTED AND PRESSED LABELS

OD10 Terminal markings can be applied to all products of ONKA production. With the OD10 Decafixes options, it is possible to create many alternatives in the marking field. Short number sequences, letters and marks can be clearly written on the OD10 Decafix for marking applications. Also; All variations requested by the user can be done in line with the scope of the product.

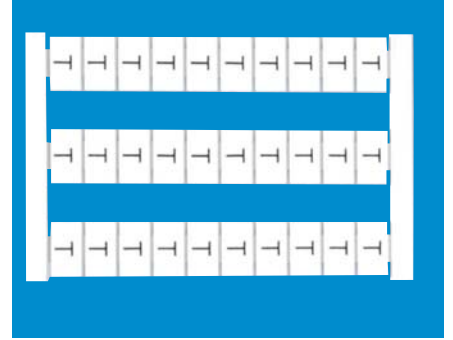
- Designed to be united for rapid application.
- All 2.5 mm² terminals can be installed with a single operation with 10 decafixes at a time. For other products; it is done one by one.
- In the vertical position max. 3 characters, horizontally max. Up to 6 characters can be written.
- Special printing options can be applied according to user requests.
- Due to special non-durable ink, only OD10 Decafix can be printed with buffer printing method.



Order No: 9770 - (Printless / Baskısız)



Order No: 9771 - (Printed / Baskılı)



TECHNICAL DATA / TEKNİK VERİ

Material / Malzeme	PA6.6 V2
Temp./ Sıcaklık	-40 °C, +140 °C
Printing Colour / Baskı Rengi	Black / Siyah
Dimension / Ölçü	6 mm x 10 mm

ORDERING DATA / SİPARİŞ VERİLERİ

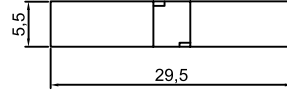
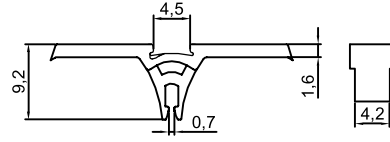
Box Pcs./ Kutu Adedi	300 Pcs. / Ad. 1 Card: 10 x 3 = 30 dekafix
Pitch / Ara Ölçü	OD5 = 5 mm x 5 mm OD10 = 6 mm x 10 mm
Printing Variations / Baskı Alternatifleri	Yatay baskı, dikey baskı, sayı, harf, işaretler.
Character of no. / Karakter Sayısı	Horizontal / Yatay: Max. 6 Vertical / Dikey: Max. 3
Special Printing / Özel Baskı	Specify colour and characters for special printing / Özel baskı için renk ve karakterleri belirtiniz.

MRK - OPK LIGHTNING WARNING SIGN MRK - OPK ŞİMŞEK UYARI İŞARETİ

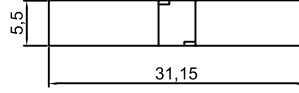
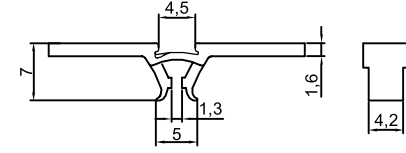


Order No: 1287

1287



1288



Order No: 1288



TECHNICAL DATA / TEKNİK VERİ

Material / Malzeme	PA6.6 V2
Temp./ Sıcaklık	-40 °C, +140 °C
Printing Colour / Baskı Rengi	Black / Siyah

ACCESSORIES / AKSESUARLAR

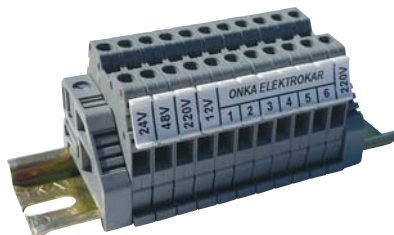
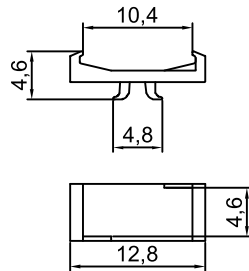
Marking / Markalama	9540 / 9541
---------------------	-------------

CODE KOD	DESCRIPTIONS ÖZELLİKLER	PCS/BOX KUTU
ONKA-1287	MRK Marker (Screw cover)	1000
ONKA-1288	OPK Marker (Screw cover)	1000

MRK - OPK MARKER SLOT MRK - OPK ŞERİT ETİKET YUVASI



Order No: 1289



TECHNICAL DATA / TEKNİK VERİ

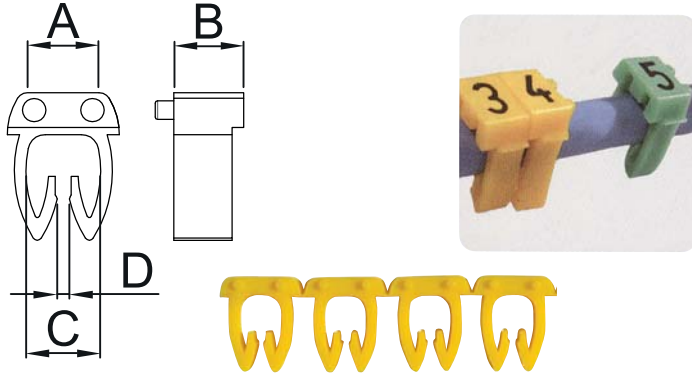
Material / Malzeme	PA6.6 V2
Temp./ Sıcaklık	-40 °C, +140 °C

ACCESSORIES / AKSESUARLAR

Marking / Markalama	7301
---------------------	------

CODE KOD	DESCRIPTIONS ÖZELLİKLER	PCS/BOX KUTU
ONKA-1289	MRK - OPK Marker Slot, 11-12 mm MRK - OPK Şerit Etiket Taşıyıcı	1000

KCG TYPE CABLE MAKER (TELESCOPIC SYSTEM CONNECTION) KCG TİPİ KABLO ETİKETLERİ (KABLOYA ÜSTTEN GEÇMELİ, MONTAJDAN ÖNCE VE SONRA TAKILABİLEN)



0	0000000000000000	A P
1	1111111111111111	B R
2	2222222222222222	C S
3	3333333333333333	D T
4	4444444444444444	E U
5	5555555555555555	F V
6	6666666666666666	G W
7	7777777777777777	H X
8	8888888888888888	I Y
9	9999999999999999	J Z
		K Mp
		L +
		M -
		N ⚡
		O ~

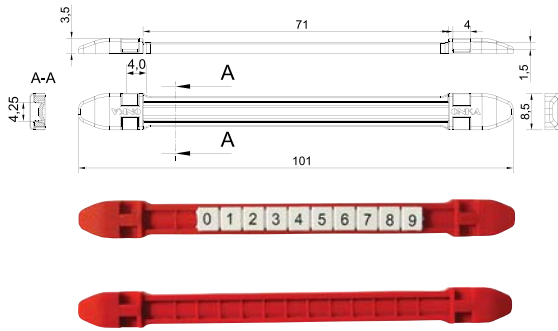
Dimensions Ölçüler (mm)	NO	A	B	C	D
	1	3,0	3,0	3,2	0,5
	2	3,4	3,0	3,3	0,5
	3	5,2	3,0	4,2	0,8

TECHNICAL DATA / TEKNİK VERİ

Material / Malzeme	PA6.6 V2
Temp./ Sıcaklık	-40 °C, +140 °C
Printing Colour / Baskı Rengi	Black & White / Siyah & Beyaz
Cable Sec. / Kablo Kesiti	No1 : 0,50 - 1,00 mm ² No2 : 1,50 - 2,50 mm ² No3 : 4,00 - 6,00 mm ²

CODE KOD	DESCRIPTIONS / ÖZELLİKLER	BOX KUTU
ONKA - 9850	KCG Cable Marker 0,50 - 1 mm ² Number KCG Kablo Markalama 0,50 - 1 mm ² Rakam	400
ONKA - 9894	KCG Cable Marker 1,50 - 2,50 mm ² Number KCG Kablo Markalama 1,50 - 2,50 mm ² Rakam	400
ONKA - 9942	KCG Cable Marker 4,0 - 6,00 mm ² Number KCG Kablo Markalama 4,0 - 6,00 mm ² Rakam	400
ONKA - 9851	KCG Cable Marker 0,50 - 1 mm ² Letter & Sign KCG Kablo Markalama 0,50 - 1 mm ² Harf & işaret	400
ONKA - 9895	KCG Cable Marker 1,50 - 2,50 mm ² Letter & Sign KCG Kablo Markalama 1,50 - 2,50 mm ² Harf & işaret	400
ONKA - 9943	KCG Cable Marker 4,0 - 6,00 mm ² Letter & Sign KCG Kablo Markalama 4,0 - 6,00 mm ² Harf & işaret	400

MARKING LABEL SLOT FOR CABLES KABLOLAR İÇİN İŞARETLEME ETİKET YATAĞI

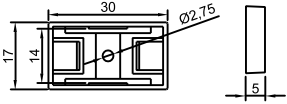
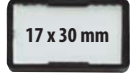
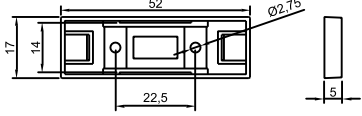
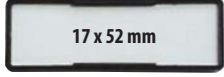
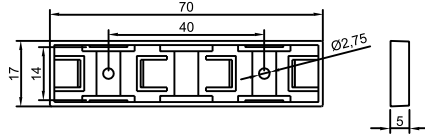
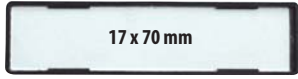


TECHNICAL DATA / TEKNİK VERİ	
Material / Malzeme	PA6.6 V2
Temp./ Sıcaklık	-40 °C, +140 °C
ACCESSORIES / AKSESUARLAR	
Marking / Markalama	9540 / 9541
Cable Ties / Kablo Bağı	8480 / 8483

●	ONKA-7134
●	ONKA-7135
●	ONKA-7136
●	ONKA-7137
●	ONKA-7138
○	ONKA-7139

CODE KOD	DESCRIPTIONS / ÖZELLİKLER	BOX KUTU
	This product can be used with 2.5 - 3.6 mm cable ties and small numberings. Isolation can be provided with heat-shrink macaron.	50
	2.5 - 3.6 mm kablo bağları ile bağlanabilir. OD5 dekafiles ile etiketlenebilir. Şeffaf daralan makaronla tam izolasyon yapılabilir.	

PANEL MARKER (SELF - ADHESIVE AND SCREWED) PANO ETİKETLERİ (YAPIŞKANLI VE VİDALANABİLİR)

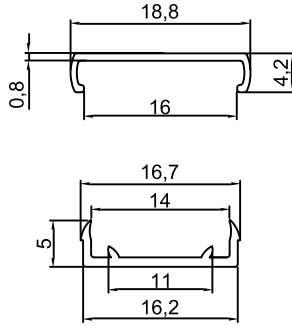
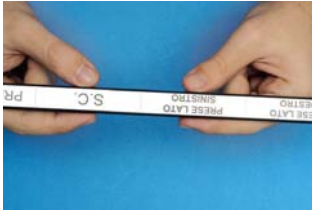


TECHNICAL DATA / TEKNİK VERİ

Material / Malzeme	PA6.6 V2
Temp./ Sıcaklık	-40 °C, +140 °C

CODE KOD	DESCRIPTIONS ÖZELLİKLER	BOX KUTU
ONKA-7114	17 x 30 mm Panel Marker	100
ONKA-7115	17 x 52 mm Panel Marker	100
ONKA-7116	17 x 70 mm Panel Marker	50

PANEL MARKER (SELF - ADHESIVE 1 METER) PANO ETİKETİ (YAPIŞKANLI 1 METRE)

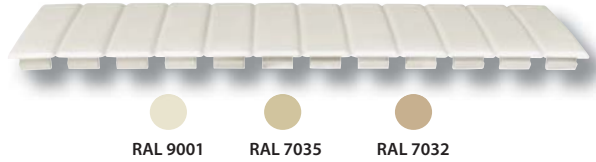
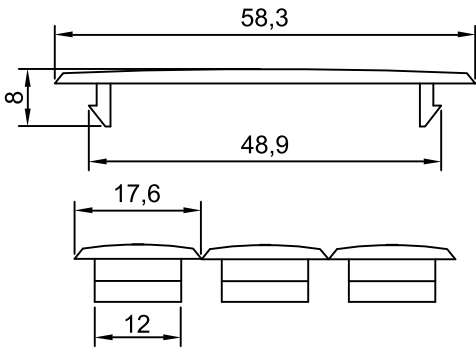


TECHNICAL DATA / TEKNİK VERİ

Material / Malzeme	PVC
Temp./ Sıcaklık	-40 °C, +140 °C

CODE KOD	DESCRIPTIONS ÖZELLİKLER	BOX KUTU
ONKA-7126	15mm x 1000 mm. Adhesive Panel Marker Yapışkanlı Pano Etiketi	50

PLASTIC COVER FOR W AUTOMAT (12 Strips) W OTOMAT ÖRTME APARATI (12'Lİ)



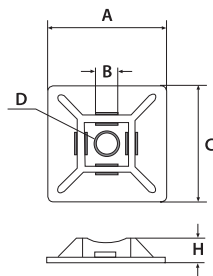
TECHNICAL DATA / TEKNİK VERİ

Material / Malzeme	PS
Temp./ Sıcaklık	-40 °C, +140 °C



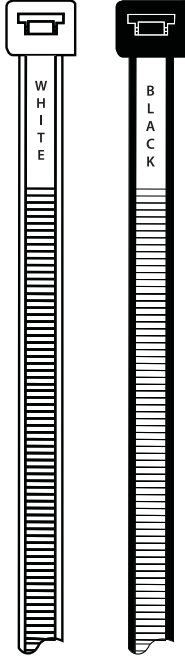
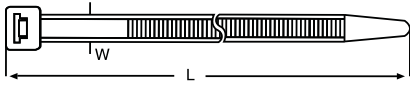
CODE KOD	DESCRIPTIONS / ÖZELLİKLER	BOX KUTU
ONKA 7121	Plastic Cover For W Automat With 12 Strips W Otomat Örtme Aparatı 12'li	50
ONKA 7122		50
ONKA 7123		50

CABLE TIE MOUNTS (SELF ADHESIVE & SCREWED) KABLO BAĞI TUTUCULARI (YAPIŞKANLI VE VİDALI)



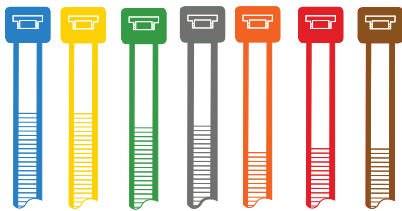
CODE /KOD	A	B	C	D	H	BOX KUTU
ONKA - 8391	19	3.6	19	Ø3.2	4.0	100
ONKA - 8392	28	4.8	28	Ø3.2	4.5	100

STANDARD CABLE TIES STANDART KABLO BAĞLARI



CODE KOD	L	W	MAX. BUNDLE DIA BAĞLAMA ÇAPI	TENSILE STRENGTH TAŞIMA AĞIRLIĞI (kg)	BAG PCS POŞET AD.	PCS/BOX KOLİ AD.
ONKA - 8480	100	2.5	22	8.1	100 / 1000	70.000
ONKA - 8432	140	2.5	40	8.1	100 / 1000	45.000 / 50.000
ONKA - 8481	160	2.5	40	8.1	100 / 1000	45.000 / 50.000
ONKA - 8482	200	2.5	53	8.1	100 / 1000	40.000 / 45.000
ONKA - 8483	150	3.6	35	18.2	100 / 1000	33.000
ONKA - 8484	200	3.6	53	18.2	100 / 1000	25.000
ONKA - 8485	250	3.6	65	18.2	100 / 1000	20.000
ONKA - 8486	300	3.6	76	18.2	100 / 1000	20.000
ONKA - 8487	370	3.6	102	18.2	100 / 1000	15.000
ONKA - 8488	160	4.8	38	22.2	100	20.000
ONKA - 8489	200	4.8	50	22.2	100	16.000
ONKA - 8490	250	4.8	60	22.2	100	13.000
ONKA - 8491	300	4.8	76	22.2	100	13.000
ONKA - 8492	370	4.8	102	22.2	100	10.000
ONKA - 8493	430	4.8	110	22.2	100	9.000
ONKA - 8494	530	4.8	140	22.2	100	8.000
ONKA - 8495	300	7.6	76	54.5	100	6.500
ONKA - 8496	370	7.6	102	54.5	100	5.000
ONKA - 8497	450	7.6	127	54.5	100	3.500
ONKA - 8498	530	7.6	140	54.5	100	3.000
ONKA - 8499	710	7.6	190	54.5	100	2.000
ONKA - 8500	430	9.0	125	79.4	100	3.000
ONKA - 8501	530	9.0	140	79.4	100	3.000
ONKA - 8502	710	9.0	190	79.4	100	2.000
ONKA - 8503	810	9.0	240	79.4	100	1.000
ONKA - 8504	940	9.0	280	79.4	100	1.000
ONKA - 8505	1220	9.0	365	79.4	100	1.000
ONKA - 8523	1530	9.0	365	79.4	100	1.000

STANDARD CABLE TIES (COLOURED) STANDART KABLO BAĞLARI (RENKLİ)

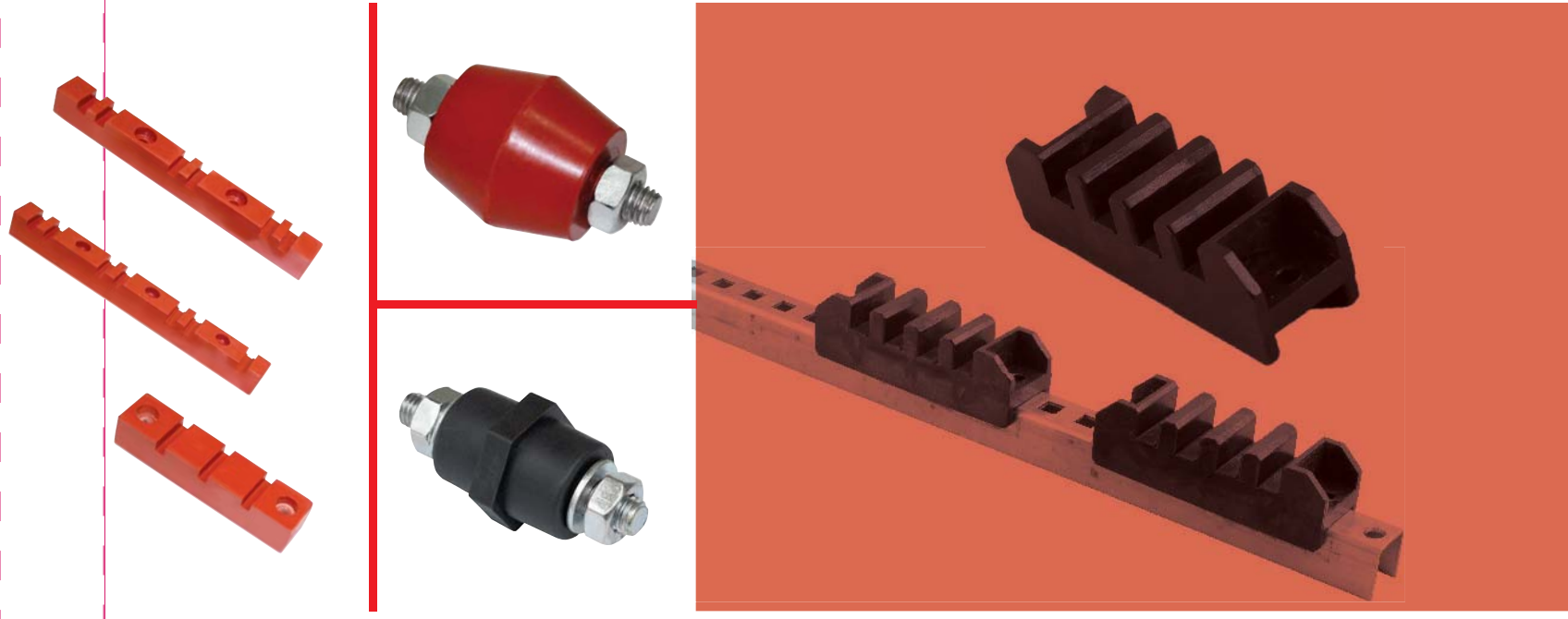


CODE KOD	L	W	MAX. BUNDLE DIA BAĞLAMA ÇAPI	TENSILE STRENGTH TAŞIMA AĞIRLIĞI (kg)	BAG PCS POŞET AD.	PCS/BOX KOLİ AD.
ONKA - 8178	100	2.5	22	8.1	100 / 1000	70.000
ONKA - 8177	140	2.5	40	8.1	100 / 1000	45.000
ONKA - 8180	200	2.5	53	8.1	100 / 1000	40.000 / 45.000
ONKA - 8181	150	3.6	35	18.2	100 / 1000	35.000
ONKA - 8182	200	3.6	53	18.2	100 / 1000	25.000
ONKA - 8183	250	3.6	65	18.2	100 / 1000	20.000
ONKA - 8184	300	3.6	76	18.2	100 / 1000	20.000
ONKA - 8185	300	4.8	76	22.2	100	13.000
ONKA - 8205	370	4.8	102	22.2	100	10.000
ONKA - 8209	370	7.6	102	54.5	100	5.000
ONKA - 8218	450	7.6	127	54.5	100	3.000
ONKA - 8219	530	7.6	140	54.5	100	3.000

GW products are made of nylon 66 raw material which is supplied by Dupont TM Zytel. Its working temperature is between -40 °C and 85 °C. It has self extinguishing characteristic according to UL 94/V2 norm. High quality GW cable ties have high resistivity against materials like benzine, motorine, oil, dye, vernic. We keep stocks cable ties of white-black and all the other colors given. Please contact us for different color requirements. Our products also have UV types for external usage.



INSULATORS İZOLATÖRLER



İZOLATÖRLER

CAM ELYAF POLYESTER MESNET İZOLATÖRLERİ

Teknik Özellikler:

- Cam Elyaf Takviyeli Polyester, %18 Elyaf ihtiva eder.
- Standart renk Irox Red %30 (İhtiyaç halinde farklı renk uygulanabilir.)
- Kör somunlar çelik çinko kaplamalı (İstek üzerine pirinç malzeme)
- Civata: Cr3 8.8 Çelik civata

YANMAZ PLASTİK V0 MESNET VE TARAK İZOLATÖRLERİ

Teknik Özellikler:

- Yanmaz V0 malzemeden imal edilmiştir.
- Polyester izolatörler ile aynı amaç için kullanılır.
- BMC malzemeye göre daha esnek olmasından dolayı kırılma oranı daha düşüktür.
- Cam elyaf takviyeli yanmaz plastik (PA6), %30 elyaf ihtiva eder.
- Standart renk siyah.
- Kör somunlar çelik çinko kaplamalı (İstek üzerine pirinç malzeme)
- Civata: CR3 8.8 Çelik civata

CAM ELYAF PLAKALAR

Teknik Özellikler:

- Bu ürünler el yatırma yöntemi ile imal edilen plaka şeklinde ürünlerdir.
- Pano içinde bakır baraları taşımak ve mesnetlemek için kullanılır.
- Ürünler BMC tipi dediğimiz mesnet izolatörlerine göre mekanik dayanımı fazla olan ürünlerdir.
- 3 mm - 30 mm kalınlıkları arasında imal edilir.
- Standart renk RAL 7035.

INSULATORS

FIBER GLASS SUPPORT INSULATORS

Technical Features:

- Fiber glass reinforced polyester, has 18% of fibers.
- Standart colour, Irox Red 130 (another colour can used in needed.)
- Nuts Steel - zinc lined. (brass material can used if needed.)
- Bolt Cr3 8.8 steel bolt.

PLASTIC BUSBAR SUPPORT INSULATOR (V0)

Technical Features:

- Low tension post insulators is made of none-flammable (V0) material.
- It is used for the same purpose as BMC insulators.
- It is more flexible than BMC insulators due to refraction rate is low.
- Fiber glass reinforced poliamid (PA6) none flammable, has 30% of fibers.
- Standart colour black.
- Nuts steel - zinc lined. (brass material can used if needed.)
- Bolt Cr3 8.8 steel bolt.

FIBER GLASS PLATE

Technical Features:

- These products are made hand-made in the form of plate.
- Products have more mechanical strenght than BMC products.
- It can be made between 3 mm - 30 mm thickness.
- Standart colour RAL 7035.

PLASTIC BUSBAR SUPPORT INSULATOR (V0)

Low tension post insulators is made of non-flammable (V0) material. It is used for the same purpose as BMC insulators. It is more flexible than BMC insulators due to refraction rate is low. It's chemical characters are listed below:

Designation:

Poliamide 6 and polycarbonate reinforced with fiberglass ISO 11469

Color: Black

Description :

The material is a glassfibre reinforced poliamide 6 Halogen free and self extinguishing.

Application:

General electrotechnical application.
Temperature range : -40 °C to +130 °C

Physical Properties:

Glassfibre Contents 30%
Specific Weight 1,56g/cm³
Moulding Shrinkage <0,03%
Water Absorption <0,2% (<25mg) DIN EN ISO 62

Mechanical Properties:

Martens Degree >200°C DIN 53462
Flexural Strength 205 N/mm² DIN EN ISO 178
Impact Strength 14 kJ/m² DIN EN ISO 180

Flammability:

Glow –wire Flammability 960° C DIN EN 60695

Electrical Properties:

Surface Resistivity 10¹⁴ Ωcm DIN IEC 60093
Volume Resistivity 10¹⁴ Ωcm DIN IEC 60093
Dielectric Strength 150 kV/cm DIN EN 60243-1
Tracking Resistance CTI 600 DIN IEC 60112

All data are based on tests performed on standardized test samples according to applicable material standarts. Data and information are intended for guidance only and are not binding. No warranty can be assumed in all situations.

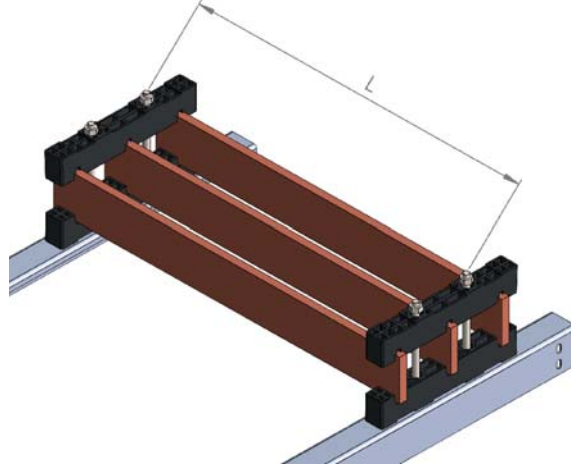
- Information for informational purposes only and are not binding.



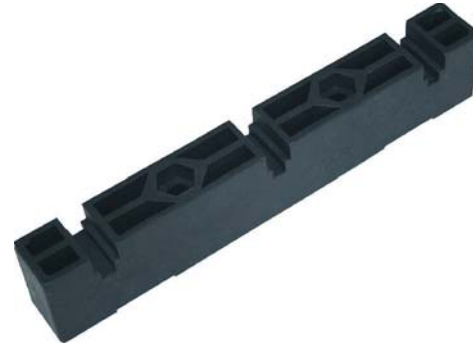
3x1F PLASTIC BUSBAR SUPPORT WITH 5 - 10 mm COPPER

TECHNICAL SPECIFICATIONS

- * Insulator is designed to be used to support carriers 5-10 mm copper busbars.
- * Polyemid 6 material VO
- * Operation temperature (-40 / + 130 degrees)
- * Operation voltage (Ue) 400V
- * Rated insulation voltage (Ui) 3000V.
- * Rated Impulse withstand voltage (Uimp) 12kV.
- * Rated Frequency (f) 50Hz
- * Rated Short-circuit withstand current (Icw) 50kA
- * Rated Peak withstand current (IPK) 105kA



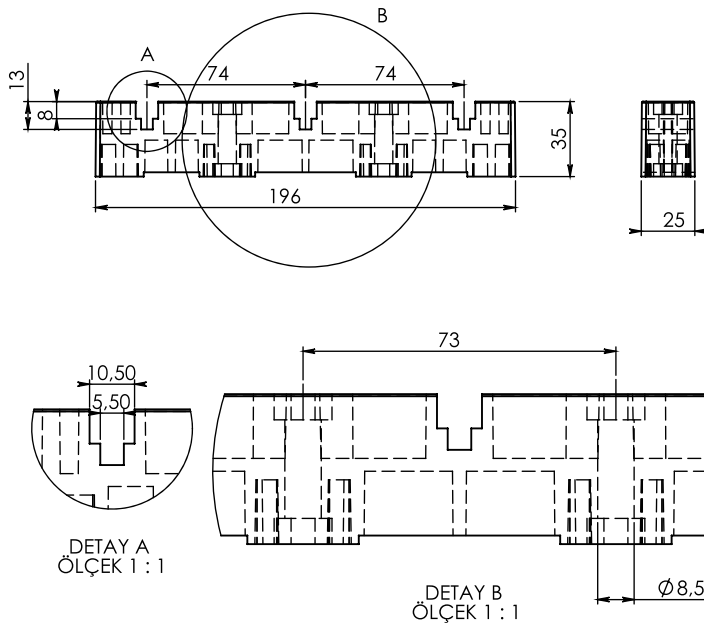
CROSS SECTION OF COPPER	3X1F BUSBAR SUPPORT			
	DISTANCE BETWEEN PHASES L (MM)			
	330	600	800	1000
30X10	40,0	20,0	18,0	15,0
40X10	50,0	25,0	20,0	15,0
50X10	53,0	30,0	25,0	15,0
60X10	55,0	30,0	25,0	15,0
80X10	55,0	30,0	25,0	15,0
100X10	60,0	30,0	28,0	15,0



CODE / KOD
İRTPS 1001

* Tabloda belirtilen siyah alandaki kısa devre değeri test yapılarak elde edilmiştir. Diğer değerler hesaplama yöntemi ile tespit edilmiştir.

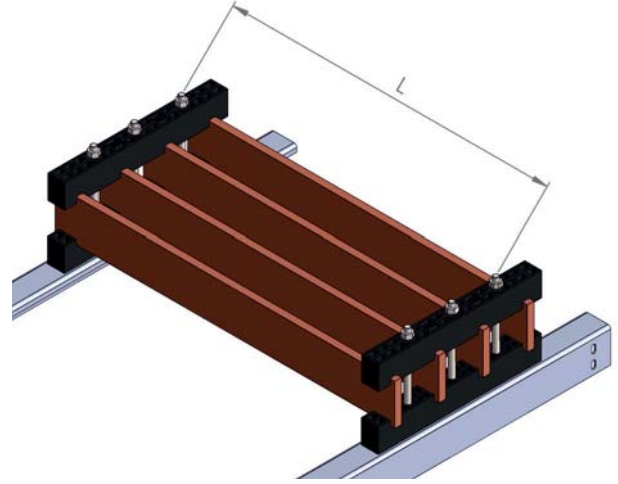
* Short black areas of the specified value in the table based on testing otherwise. Other values were determined by calculation method.



3X1F+N PLASTIC BUSBAR SUPPORT WITH 5 - 10 mm COPPER

TECHNICAL SPECIFICATIONS

- * Insulator is designed to be used to support carriers 5-10 mm copper busbars.
- * Polyemid 6 material VO.
- * Operation temperature (-40 / + 130 degrees)
- * Operation voltage (Ue) 400V.
- * Rated insulation voltage (Ui) 3000V.
- * Rated Impulse withstand voltage (Uimp) 12kV.
- * Rated Frequency (f) 50Hz.
- * Rated Short-circuit withstand current (Icw) 50kA.
- * Rated Peak withstand current (IPK) 105kA.



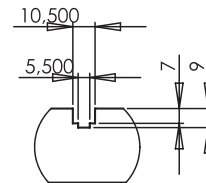
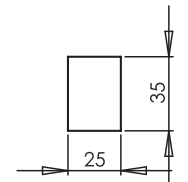
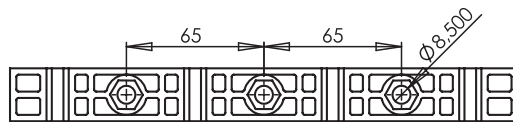
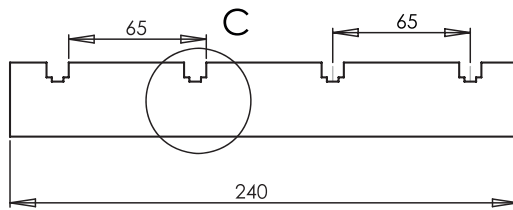
CROSS SECTION OF COPPER	3X1F+N BUSBAR SUPPORT			
	DISTANCE BETWEEN PHASES L (MM)			
	330	600	800	1000
30X10	40,0	20,0	18,0	15,0
40X10	50,0	25,0	20,0	15,0
50X10	53,0	30,0	25,0	15,0
60X10	55,0	30,0	25,0	15,0
80X10	55,0	30,0	25,0	15,0
100X10	60,0	30,0	28,0	15,0

* Tabloda belirtilen siyah alandaki kısa devre değeri test yapılarak elde edilmiştir. Diğer değerler hesaplama yöntemi ile tespit edilmiştir.

* Short black areas of the specified value in the table based on testing otherwise. Other values were determined by calculation method.



CODE / KOD
İRTPS 1003

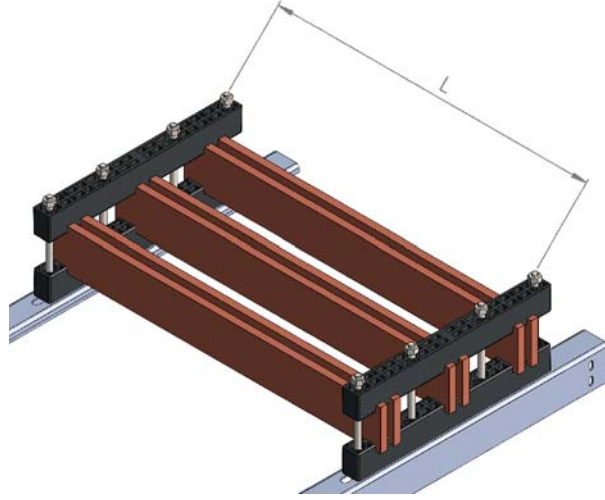


DETAY C

3x2F PLASTIC BUSBAR SUPPORT WITH 10 mm COPPER

TECHNICAL SPECIFICATIONS

- * Insulator is designed to be used to support carriers 10 mm copper busbars.
- * Polyemid 6 material VO
- * Operation temperature (-40 / + 130 degrees)
- * Operation voltage (Ue) 400V
- * Rated insulation voltage (Ui) 3000V
- * Rated Impulse withstand voltage (Uimp) 12kV
- * Rated Frequency (f) 50Hz
- * Rated Short-circuit withstand current (Icw) 65kA
- * Rated Peak withstand current (IPK) 143kA



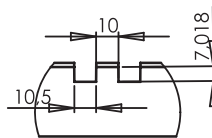
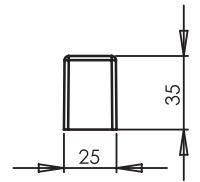
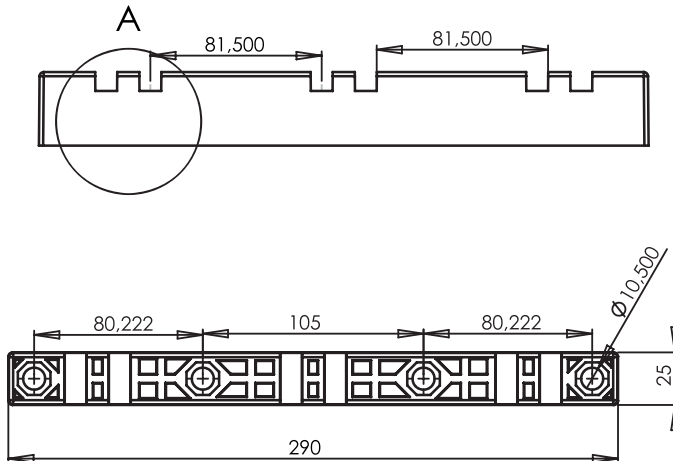
CROSS SECTION OF COPPER	3X2F BUSBAR SUPPORT			
	DISTANCE BETWEEN PHASES L (MM)			
	330	600	800	1000
2x30x10	55,0	30,0	20,0	15,0
2x40x10	65,0	35,0	23,0	15,0
2x50x10	65,0	36,0	25,0	15,0
2x60x10	68,0	36,0	28,0	15,0
2x80x10	70,0	39,0	29,0	15,0
2x100x10	70,0	42,0	30,0	15,0

* Tabloda belirtilen siyah alandaki kısa devre değeri test yapılarak elde edilmiştir. Diğer değerler hesaplama yöntemi ile tespit edilmiştir.

* Short black areas of the specified value in the table based on testing otherwise. Other values were determined by calculation method.



CODE / KOD
İRTPS 1002

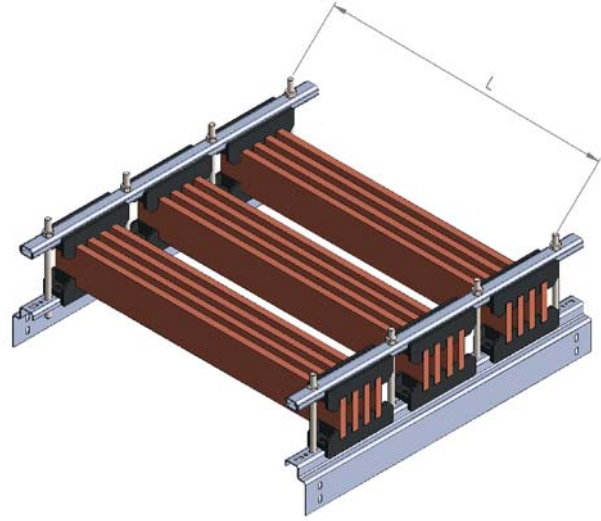


DETAY A
ÖLÇEK 1 : 2

1x4F PLASTIC BUSBAR SUPPORT WITH 10 mm COPPER

TECHNICAL SPECIFICATIONS

- * Insulator is designed to be used to support carriers 10 mm copper busbars.
- * Polycarbonate material VO
- * Operation temperature (-30 / + 130 degrees)
- * Operation voltage (Ue) 400V
- * Rated insulation voltage (Ui) 3000V
- * Rated Impulse withstand voltage (Uimp) 12kV
- * Rated Frequency (f) 50Hz
- * Rated Short-circuit withstand current (Icw) 80kA
- * Rated Peak withstand current (IPK) 176kA



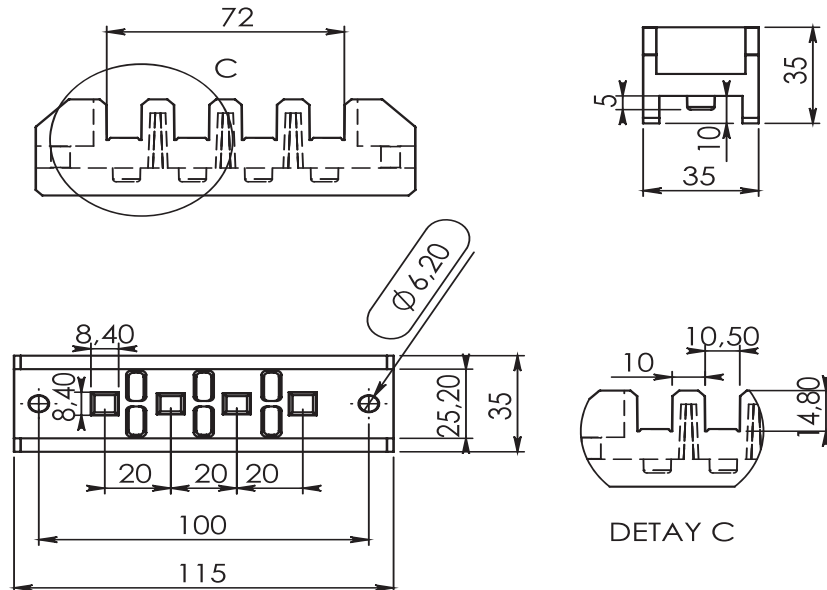
CROSS SECTION OF COPPER	1X4F BUSBAR SUPPORT			
	DISTANCE BETWEEN PHASES L (MM)			
	330	600	800	1000
4X40X10	80,0	40,0	40,0	20,0
4X50X10	80,0	40,0	40,0	20,0
4X60X10	85,0	47,0	47,0	20,0
4X80X10	88,0	48,0	48,0	20,0
4X100X10	100,0	50,0	50,0	20,0
4X120X10	100,0	52,0	52,0	20,0



CODE / KOD
IRTPS 1006

* Tabloda belirtilen siyah alandaki kısa devre değeri test yapılarak elde edilmiştir. Diğer değerler hesaplama yöntemi ile tespit edilmiştir.

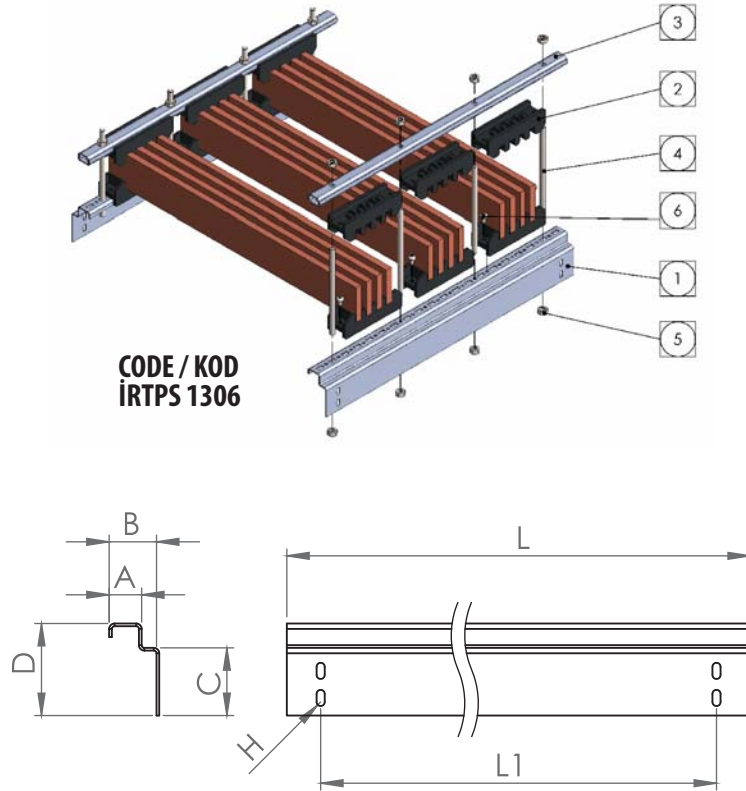
* Short black areas of the specified value in the table based on testing otherwise. Other values were determined by calculation method.







DETAY C

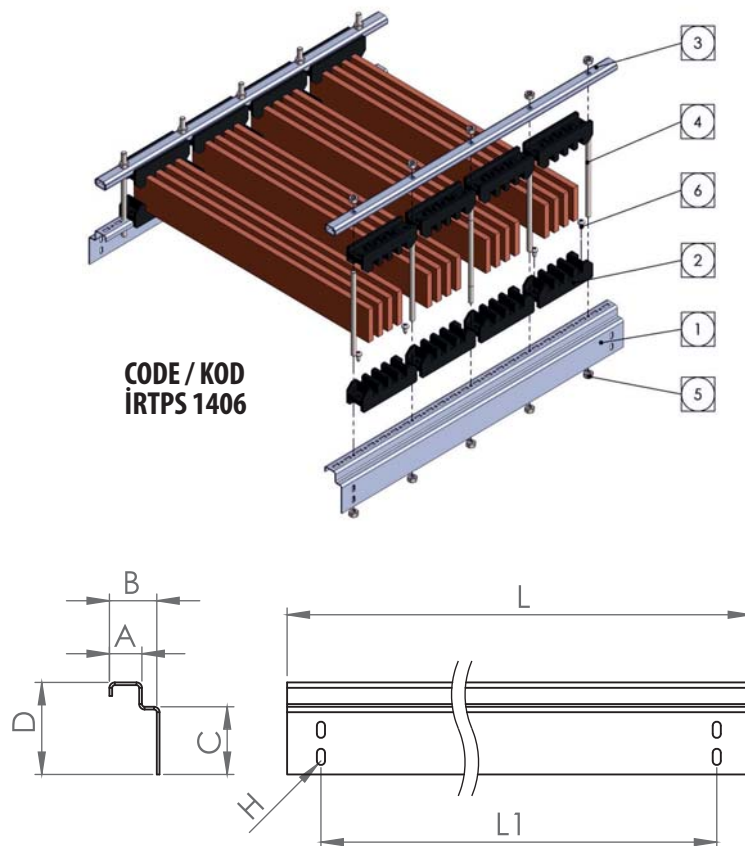
1x4F PLASTIC BUSBAR SUPPORT WITH 10 mm COPPER 3 PHASE

NO	ÜRÜN / PRODUCT	ADET / PIECE
1		1
2		6
3		1
4		4
5		8
6		12



1x4F PLASTIC BUSBAR SUPPORT WITH 10 mm COPPER 3 PHASE + N

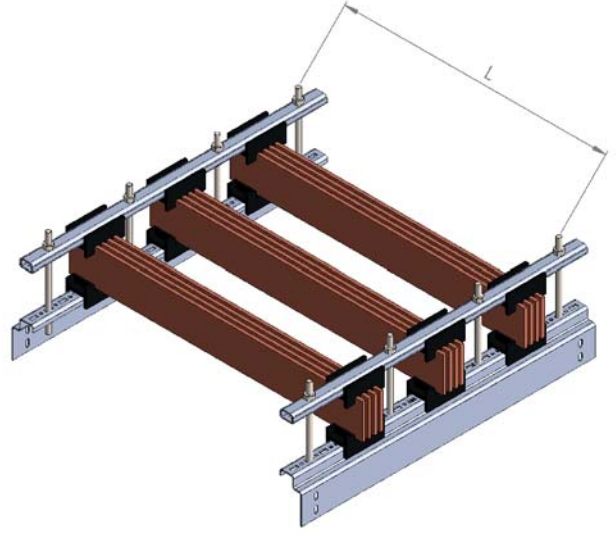
NO	ÜRÜN / PRODUCT	ADET / PIECE
1		1
2		8
3		1
4		5
5		10
6		16



1x4F PLASTIC BUSBAR SUPPORT WITH 5 mm COPPER

TECHNICAL SPECIFICATIONS

- * Insulator is designed to be used to support carriers 5 mm copper busbars.
- * Polycarbonate material VO
- * Operation temperature (-30 / + 130 degrees)
- * Operation voltage (Ue) 400V
- * Rated insulation voltage (Ui) 3000V
- * Rated Impulse withstand voltage (Uimp) 12kV
- * Rated Frequency (f) 50Hz
- * Rated Short-circuit withstand current (Icw) 65kA
- * Rated Peak withstand current (IPK) 143kA



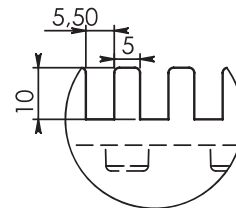
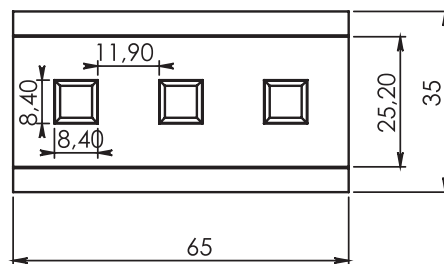
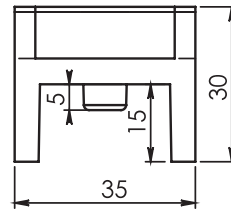
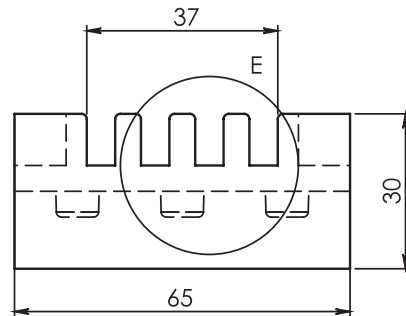
CROSS SECTION OF COPPER	1X4F BUSBAR SUPPORT			
	DISTANCE BETWEEN PHASES L (MM)			
	330	600	800	1000
4x40x10	65,0	30,0	20,0	12,0
4x50x10	65,0	30,0	23,0	12,0
4x60x10	67,0	32,0	25,0	12,0
4x80x10	68,0	35,0	27,0	12,0
4x100x10	70,0	35,0	27,0	12,0



CODE / KOD
İRTPS 1005

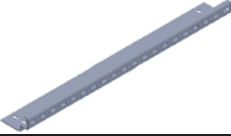




* Tabloda belirtilen siyah alandaki kısa devre değeri test yapılarak elde edilmiştir. Diğer değerler hesaplama yöntemi ile tespit edilmiştir.

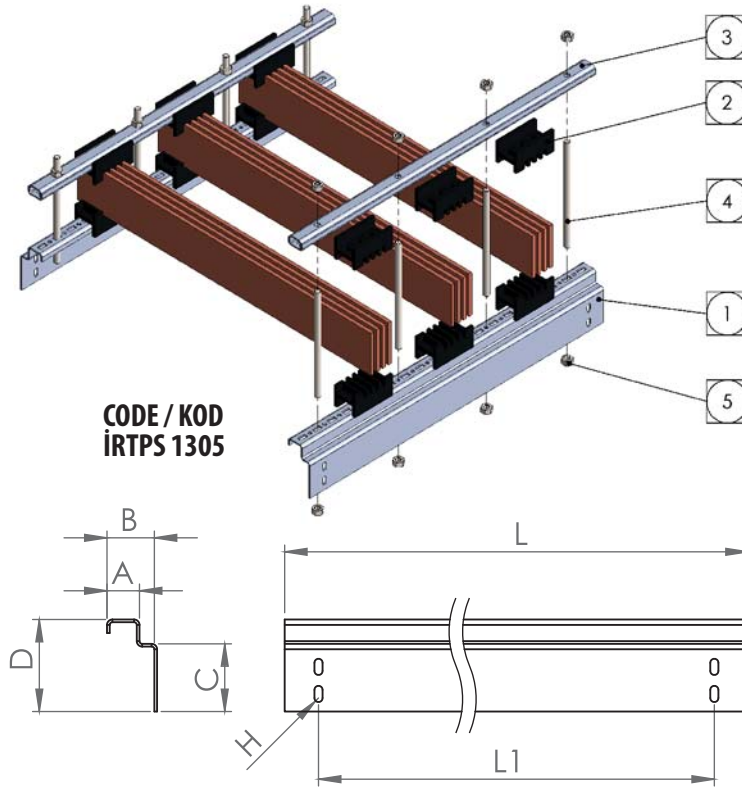
* Short black areas of the specified value in the table based on testing otherwise. Other values were determined by calculation method.



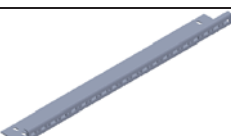
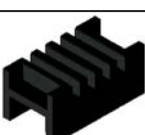



DETAY E

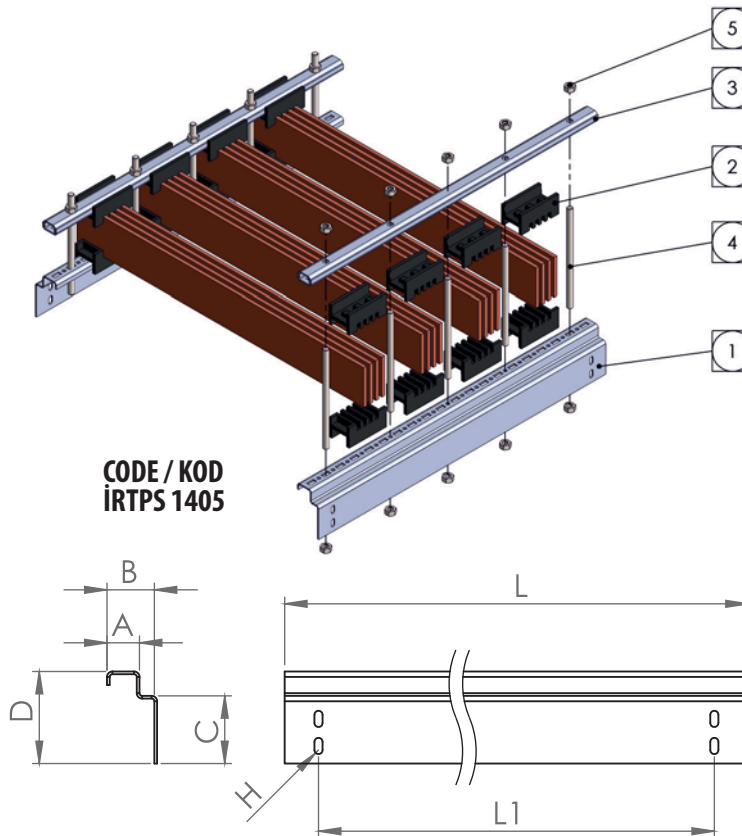
1x4F PLASTIC BUSBAR SUPPORT WITH 5 mm COPPER

NO	ÜRÜN / PRODUCT	ADET / PIECE
1		1
2		6
3		1
4		4
5		8



1x4F PLASTIC BUSBAR SUPPORT WITH 5 mm COPPER

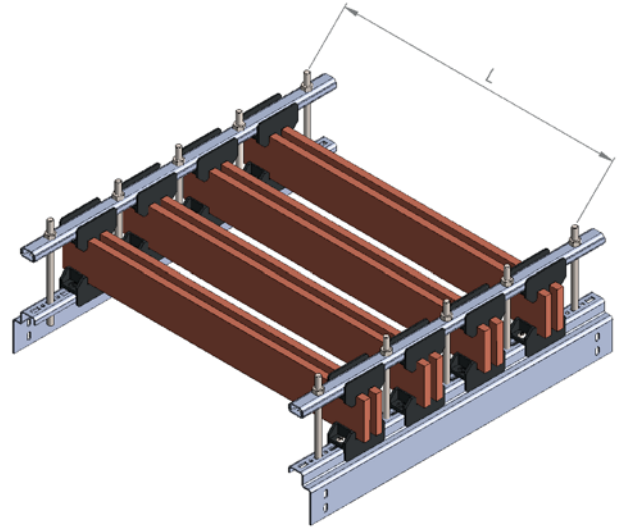
NO	ÜRÜN / PRODUCT	ADET / PIECE
1		1
2		8
3		1
4		5
5		12



1x2F PLASTIC BUSBAR SUPPORT WITH 10 mm COPPER

TECHNICAL SPECIFICATIONS

- * Insulator is designed to be used to support carriers 10 mm copper busbars.
- * Polycarbonate material VO
- * Operation temperature (-30 / + 130 degrees)
- * Operation voltage (Ue) 400V
- * Rated insulation voltage (Ui) 3000V
- * Rated Impulse withstand voltage (Uimp) 12kV
- * Rated Frequency (f) 50Hz
- * Rated Short-circuit withstand current (Icw) 80kA
- * Rated Peak withstand current (IPK) 176kA



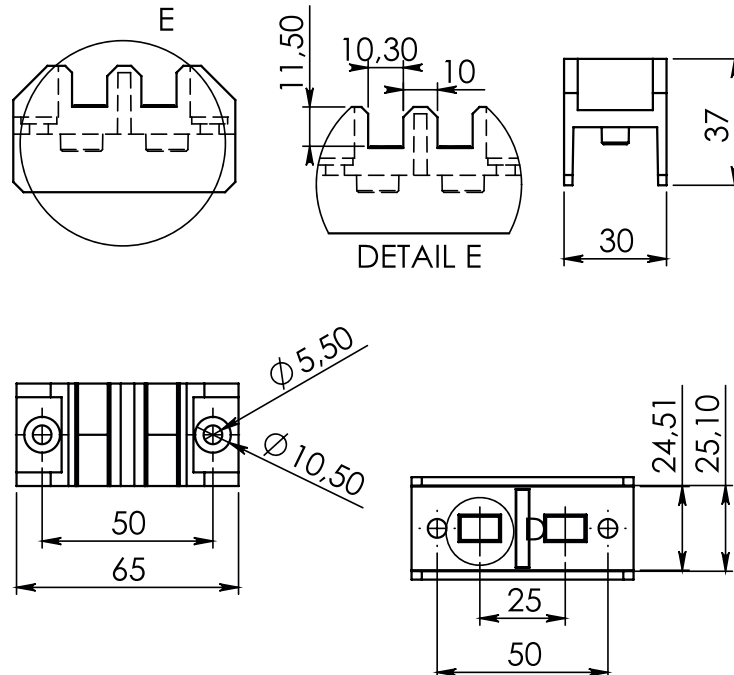
CROSS SECTION OF COPPER	1X2F BUSBAR SUPPORT			
	DISTANCE BETWEEN PHASES L (MM)			
	330	600	800	1000
2X40X10	80,0	40,0	40,0	20,0
2X50X10	80,0	40,0	40,0	20,0
2X60X10	85,0	47,0	47,0	20,0
2X80X10	88,0	48,0	48,0	20,0
2X100X10	100,0	50,0	50,0	20,0
2X120X10	100,0	52,0	52,0	20,0



CODE / KOD
İRTPS 1007

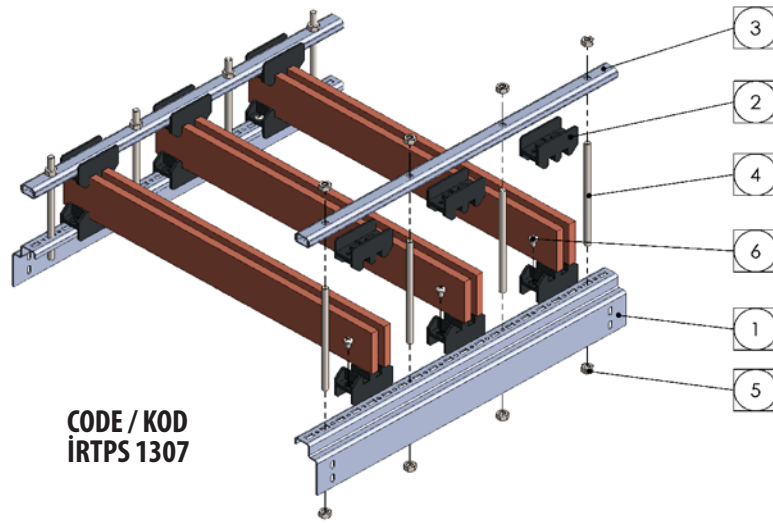
* Tabloda verilmiş olan kısa devre değeri hesaplama yöntemi ile tespit edilmiştir.

* Short circuit values given in Table calculation method It has been identified.

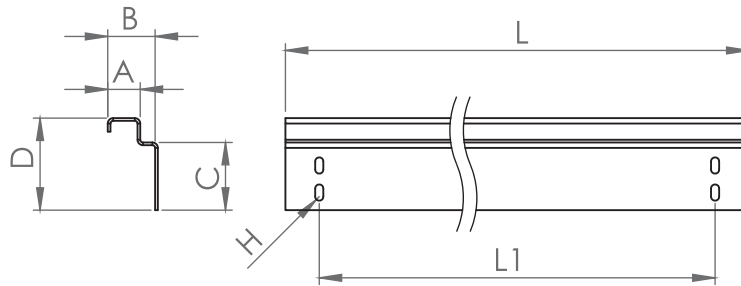


1x2F PLASTIC BUSBAR SUPPORT WITH 10 mm COPPER 3 PHASE

NO	ÜRÜN / PRODUCT	ADET / PIECE
1		1
2		6
3		1
4		4
5		8
6		12

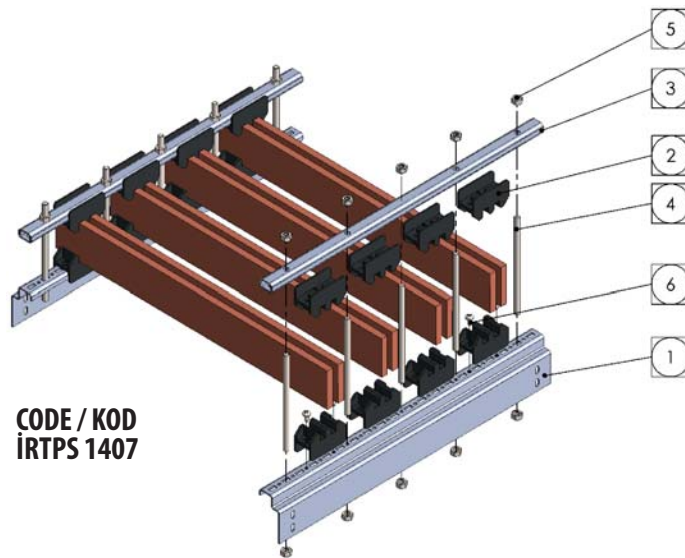


CODE / KOD
İRTPS 1307

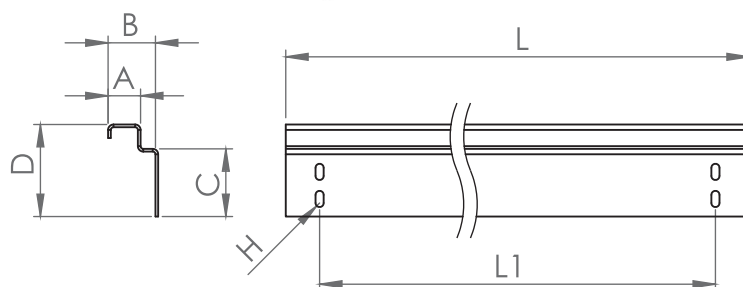


1x2F PLASTIC BUSBAR SUPPORT WITH 10 mm COPPER 3 PHASE + N

NO	ÜRÜN / PRODUCT	ADET / PIECE
1		1
2		8
3		1
4		5
5		10
6		16



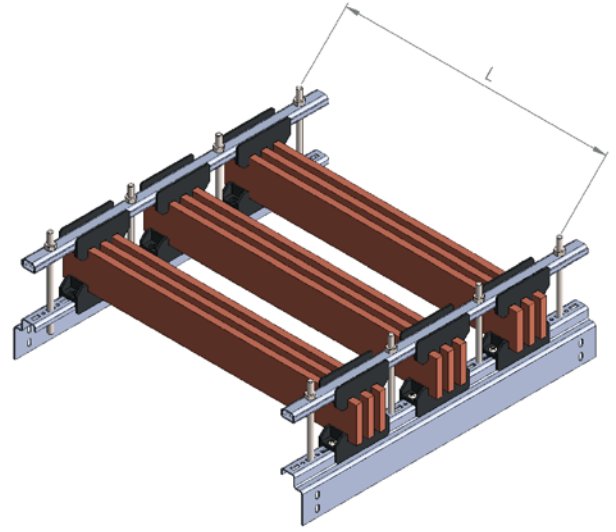
CODE / KOD
İRTPS 1407



1x3F PLASTIC BUSBAR SUPPORT WITH 10 mm COPPER

TECHNICAL SPECIFICATIONS

- * Insulator is designed to be used to support carriers 10 mm copper busbars.
- * Polycarbonate material VO
- * Operation temperature (-30 / + 130 degrees)
- * Operation voltage (Ue) 400V
- * Rated insulation voltage (Ui) 3000V
- * Rated Impulse withstand voltage (Uimp) 12kV
- * Rated Frequency (f) 50Hz
- * Rated Short-circuit withstand current (Icw) 80kA
- * Rated Peak withstand current (IPK) 176kA

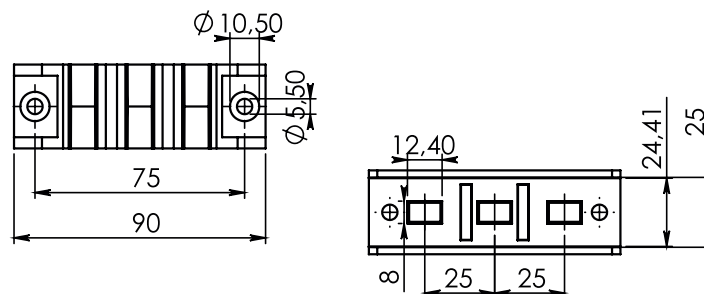
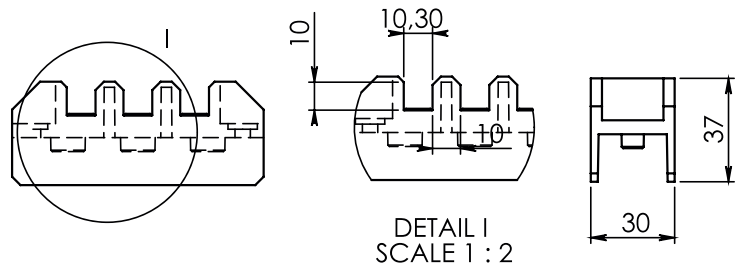


CROSS SECTION OF COPPER	1X3F BUSBAR SUPPORT			
	DISTANCE BETWEEN PHASES L (MM)			
	330	600	800	1000
3X40X10	80,0	40,0	40,0	20,0
3X50X10	80,0	40,0	40,0	20,0
3X60X10	85,0	47,0	47,0	20,0
3X80X10	88,0	48,0	48,0	20,0
3X100X10	100,0	50,0	50,0	20,0
3X120X10	100,0	52,0	52,0	20,0



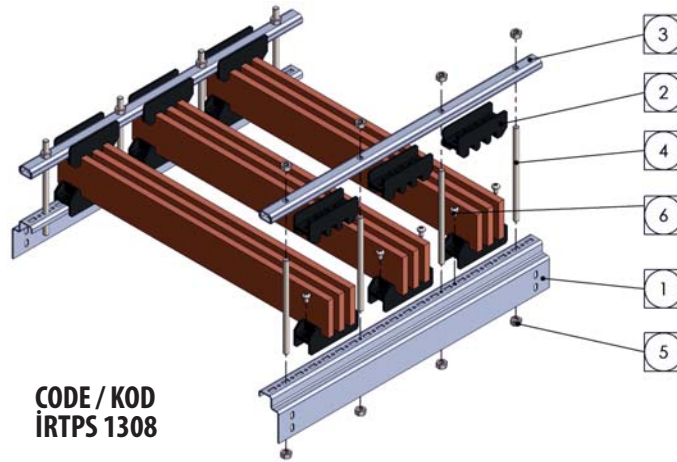
* Tabloda verilmiş olan kısa devre değeri hesaplama yöntemi ile tespit edilmiştir.

* Short circuit values given in Table calculation method It has been identified.

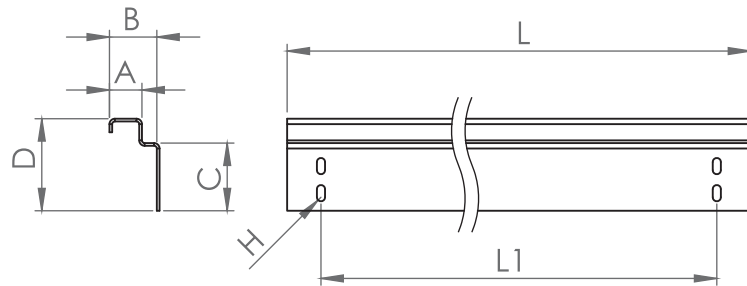


1x3F PLASTIC BUSBAR SUPPORT WITH 10 mm COPPER 3 PHASE

NO	ÜRÜN / PRODUCT	ADET / PIECE
1		1
2		6
3		1
4		4
5		8
6		12

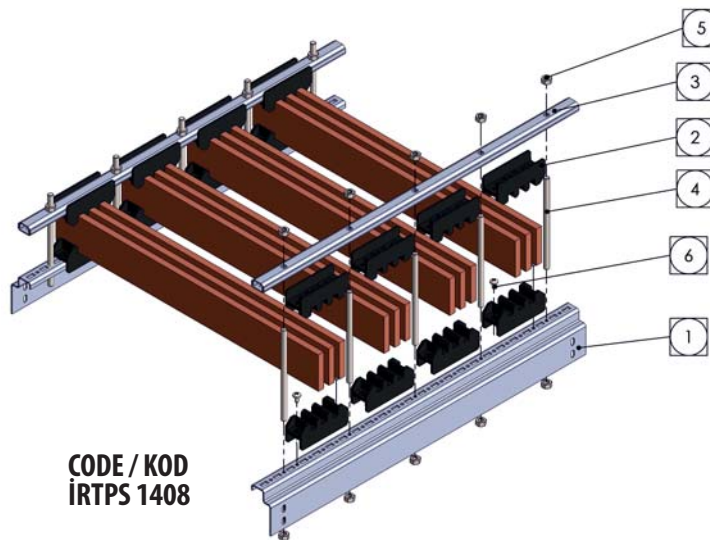


CODE / KOD
İRTPS 1308

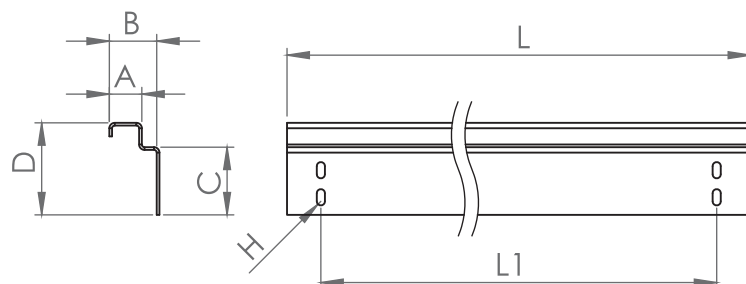


1x3F PLASTIC BUSBAR SUPPORT WITH 10 mm COPPER 3 PHASE + N

NO	ÜRÜN / PRODUCT	ADET / PIECE
1		1
2		8
3		1
4		5
5		10
6		16



CODE / KOD
İRTPS 1408



FIBER GLASS PLATE

UPGM is a composite material which has been increased strength value with glass fiber and unsaturated polyester. It is very light and extremely powerful material.

UPGM is used in electricity industry, electrical panel, transformer bobbin insulations, panel switch output and induction furnace.

Standard format: 800mm x 1200 mm

Material: UP GM, polyester resin/glass fiber mat

Norm: UP GM 203 according to EN 60893; Hm 2472 according to DIN 7735

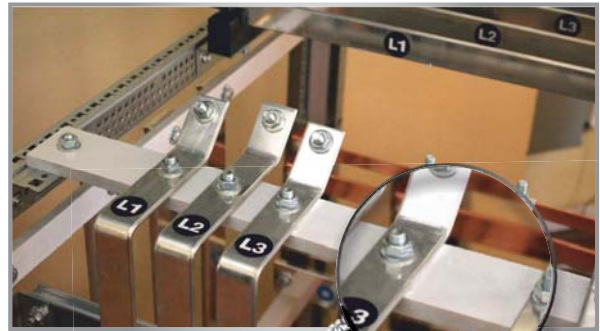
Type of production: Pressed

Colour: Standart color ;Ral 7035 / given the color code, each color can be produced

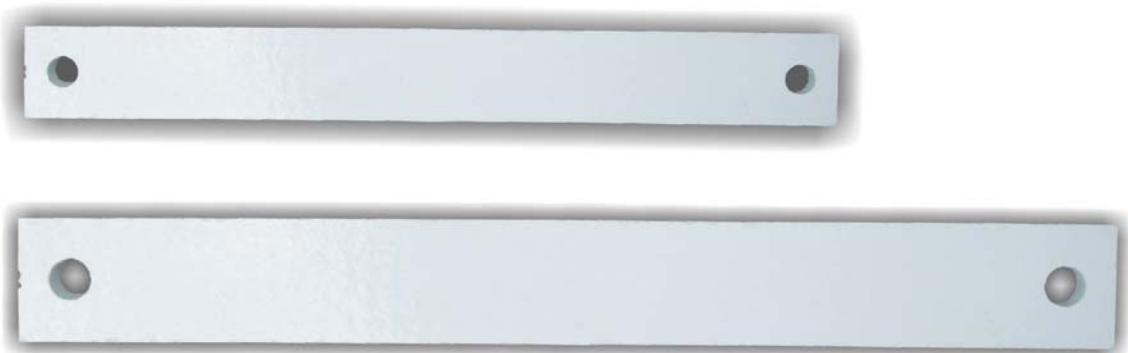
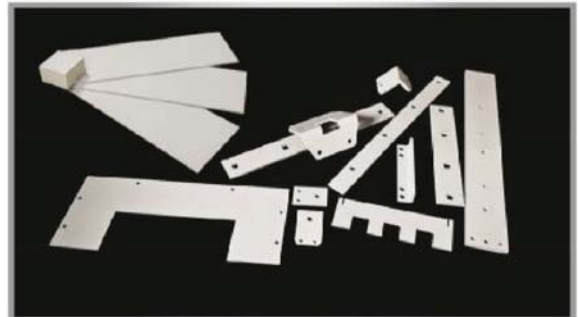
Thicknes : 3mm to 30mm

Working temperature: -40 to +155 °C

Density: 1.9 g/cm³



**50kA
TYPE TEST
AVAILABLE**



PROPERTIES	TEST METHOD	UNIT
Flexural strength across	ISO 178	MPa
Flexural Modulus	ISO 178 / IEC 60893-2	MPa
Izod impact strength paralell to laminations	ISO 180	Kj/m ²
Charpy impact strenght paralell to laminations	ISO 179-1 ISO 179-2	Kj/m ²
Electric strength at 90° in oil perpendicular to laminations	IEC 60243-1 IEC 60296	kV/mm
Breakdown voltage at 90° in oil perpendicular to laminations	IEC 60243-1 IEC 60296	kV/mm
Insulation resistance after immersion in water	IEC 60167	MΩ
Proof tracking index	IEC 60112	CTI
Tracking and erosion resistance	IEC 60587	Class
Flammability	IEC 60695-10-11 IEC 60893-3	UL94
Glow wire	TS EN 60695-2-13	° C
Water Absorption	TS EN 60893-2	Mg
Compressive strength	TS EN ISO 604	N/mm ²
Pressure strength alongacross	ISO 527	N/mm ²



FIBER GLASS PLATE

Code	Product Name	Dimension (mm)		
		Thickness (mm)	Width (mm)	Height (mm)
İRCET038001200	FIBER GLASS PLATE	3	800	1200
İRCET058001200		5	800	1200
İRCET108001200		10	800	1200
İRCET158001000		15	800	1200
İRCET208001200		20	800	1200
İRCET258001000		25	800	1200
İRCET308001000		30	800	1200
İRCET030301200	FIBER GLASS PLATE	3	30	1200
İRCET030401200		3	40	1200
İRCET030501200		3	50	1200
İRCET030601200		3	60	1200
İRCET050301200	FIBER GLASS PLATE	5	30	1200
İRCET050401200		5	40	1200
İRCET050501200		5	50	1200
RCET050601200		5	60	1200
İRCET100301200	FIBER GLASS PLATE	10	30	1200
İRCET100401200		10	40	1200
İRCET100501200		10	50	1200
İRCET100601200		10	60	1200
İRCET150301200	FIBER GLASS PLATE	15	30	1200
İRCET150401200		15	40	1200
İRCET150501200		15	50	1200
İRCET150601200		15	60	1200
İRCET200301200	FIBER GLASS PLATE	20	30	1200
İRCET200401200		20	40	1200
İRCET200501200		20	50	1200
İRCET200601200		20	60	1200
İRCET250301200	FIBER GLASS PLATE	25	30	1200
İRCET250401200		25	40	1200
İRCET250501200		25	50	1200
İRCET250601200		25	60	1200
İRCET300301200	FIBER GLASS PLATE	30	30	1200
İRCET300401200		30	40	1200
İRCET300501200		30	50	1200
İRCET300601200		30	60	1200



Low tension post insulators, whose rated voltage can go up to 100 V, are used to join a copper bar to a base in indoor. Post insulators are one the vital points in the places they are used. They are manufactured from BMC material, which has a high specific resistance and thermal features, elasticity, lightness, perfect dielectric features, flexibility in molding and designing, is also made from combining fiber glass which is resistant to the indoor conditions, flexible and highly mechanic resistance . It's chemical characters are listed below:

Designation:

BMC 260
 Material identification : >UP – (GF+MD)75FR(60)<
 ISO 11469
 Color: Red

Description :

BMC 260 is a glassfibre reinforced composite material based on unsaturated polyester resin with additives. Halogen free and self extinguishing.

Application:

General electrotechnical application.
 Temperature range : -40 °C to +130 °C

Physical Properties:

Glassfibre Contents18%
 Specific Weight1,75g/cm³ DIN 53479
 Moulding Shrinkage<0,1%
 Water Absorption<0,2% (<25mg) DIN EN ISO 62

Mechanical Properties :

Martens Degree>200°C DIN 53462
 Flexural Strength90 N/mm² DIN EN ISO 178
 Impact Strength25-30 kJ/m² DIN EN ISO 179

Flammability:

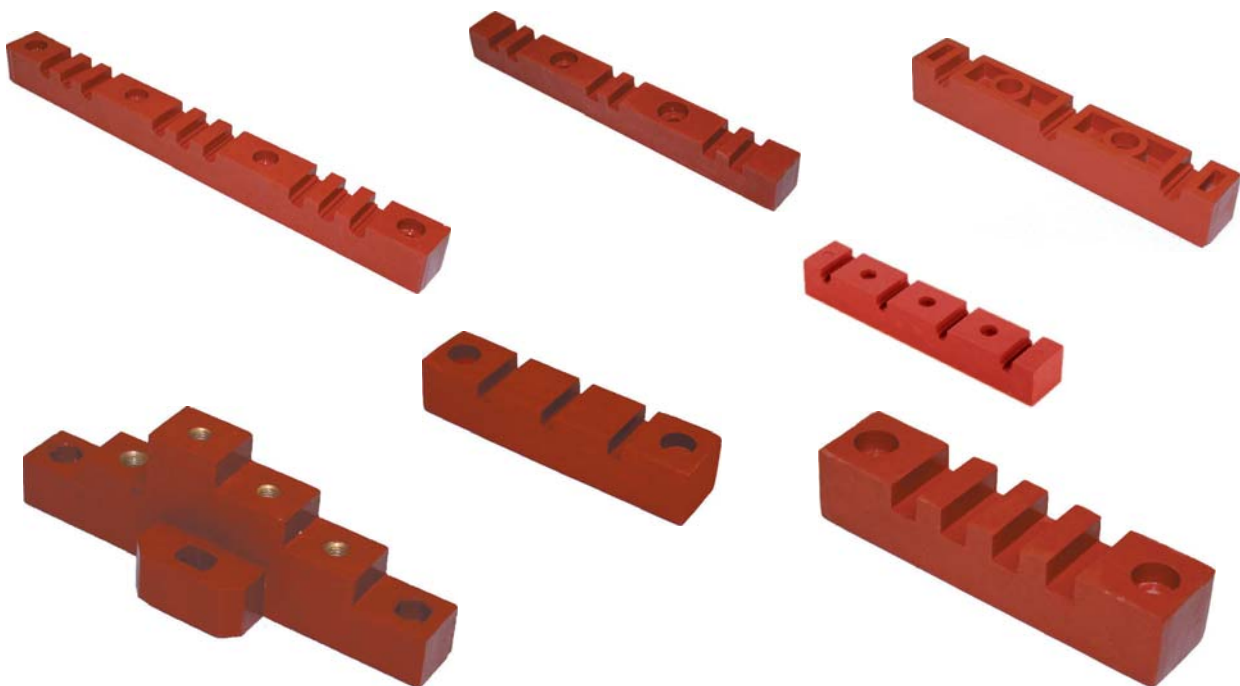
Glow –wire Flammability960° C DIN EN 60695

Electrical Properties:

Surface Resistivity10¹⁴ Ωcm DIN IEC 60093
 Volume Resistivity10¹⁴ Ωcm DIN IEC 60093
 Dielectric Strength150 kV/cm DIN EN 60243-1
 Tracking ResistanceCTI 600 DIN IEC 60112

All data are based on tests performed on standardized test samples according to applicable material standarts. Data and information are intended for guidance only and are not binding. No warranty can be assumed in all situations.

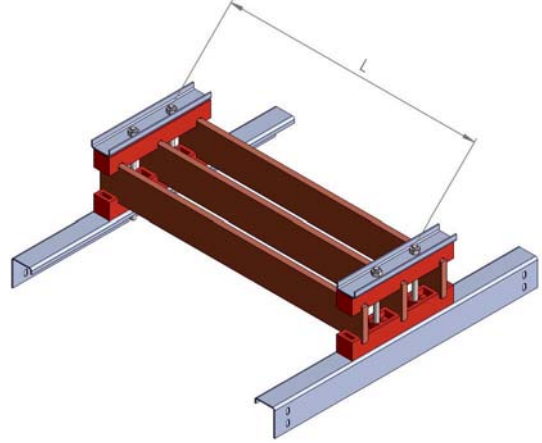
- Information for informational purposes only and are not binding.



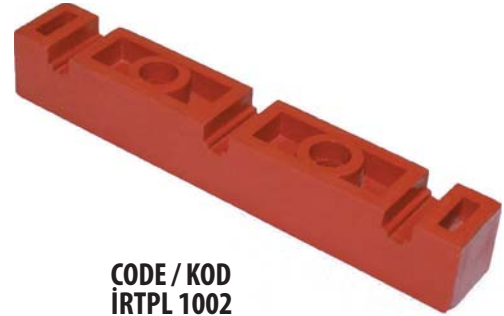
3x1F FIBER GLASS BUSBAR SUPPORT WITH 5-10 mm COPPER

TECHNICAL SPECIFICATIONS

- * Insulator is designed to be used to support carriers 5-10 mm copper busbars.
- * Fiber glass material
- * Operation temperature (-40 / + 130 degrees)
- * Operation voltage (Ue) 400V.
- * Rated insulation voltage (Ui) 3000V
- * Rated Impulse withstand voltage (Uimp) 12kV.
- * Rated Frequency (f) 50Hz
- * Rated Short-circuit withstand current (Icw) 36kA
- * Rated Peak withstand current (IPK) 105kA



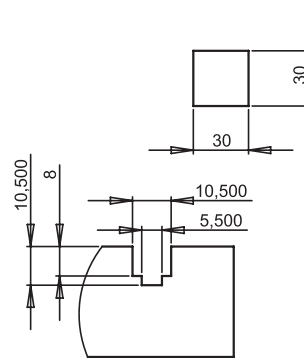
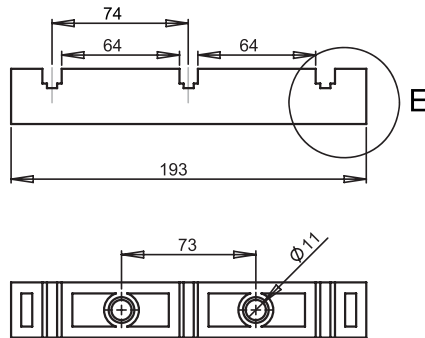
CROSS SECTION OF COPPER	3X1F BUSBAR SUPPORT			
	DISTANCE BETWEEN PHASES L (MM)			
	330	600	800	1000
30X10	36,0	19,3	17,8	14,8
40X10	40,0	22,0	18,2	14,8
50X10	43,0	24,8	22,8	14,8
60X10	45,0	27,5	22,8	14,8
80X10	45,0	27,5	22,8	14,8
100X10	50,0	27,50	26,8	14,8




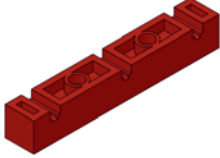



CODE / KOD
İRTPL 1002

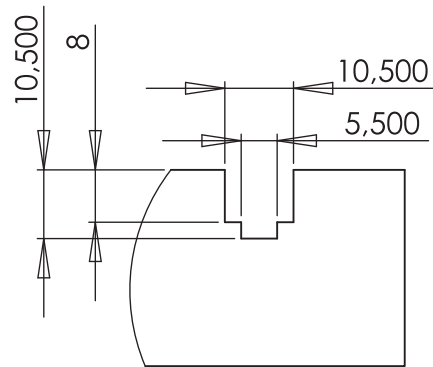
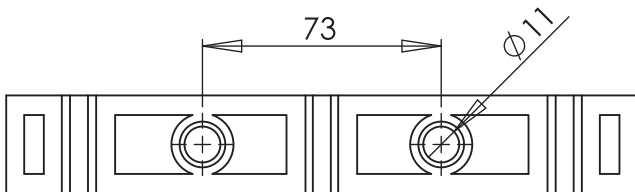
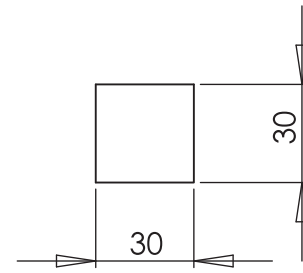
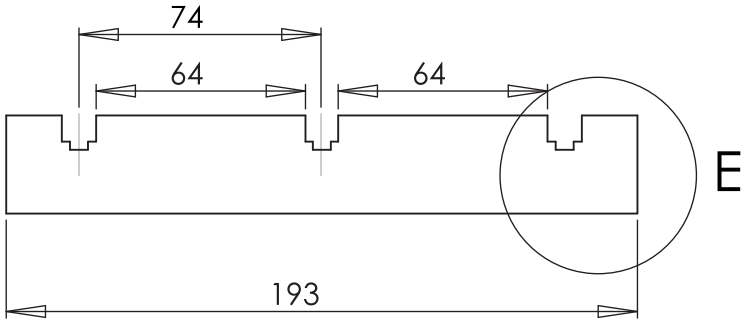
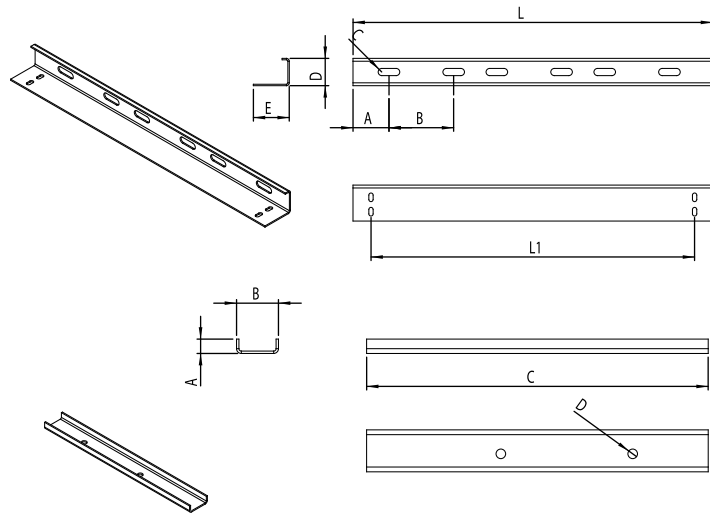
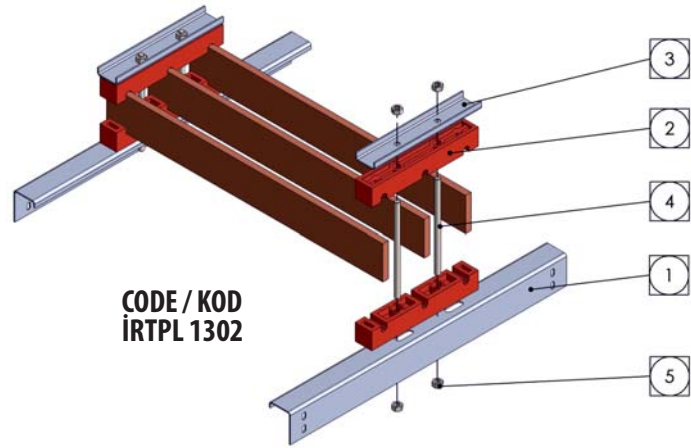
* Tabloda verilmiş olan kısa devre değeri hesaplama yöntemi ile tespit edilmiştir.

* Short circuit values given in Table calculation method It has been identified.



3x1F FIBER GLASS BUSBAR SUPPORT WITH 5-10 mm COPPER 3 PHASE

NO	ÜRÜN / PRODUCT	ADET / PIECE
1		1
2		2
3		1
4		2
5		6

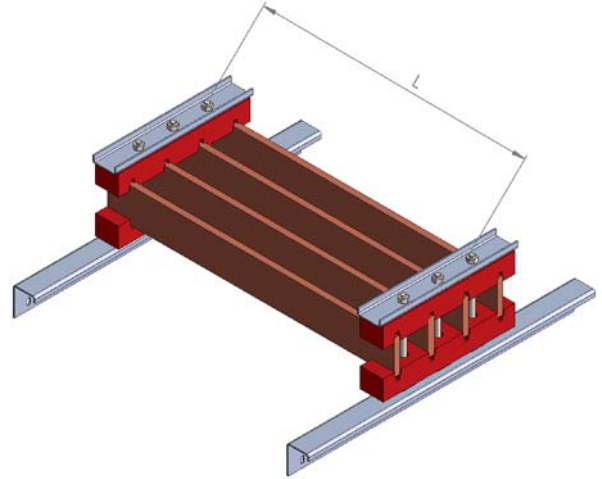


DETAIL E
SCALE 1 : 1

3x1F + N FIBER GLASS BUSBAR SUPPORT WITH 5-10 mm COPPER

TECHNICAL SPECIFICATIONS

- * Insulator is designed to be used to support carriers 5-10 mm copper busbars.
- * Fiber glass material
- * Operation temperature (-40 / + 130 degrees)
- * Operation voltage (Ue) 400V.
- * Rated insulation voltage (Ui) 3000V.
- * Rated Impulse withstand voltage (Uimp) 12kV.
- * Rated Frequency (f) 50Hz.
- * Rated Short-circuit withstand current (Icw) 25kA.
- * Rated Peak withstand current (IPK) 105kA.



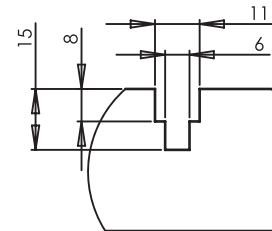
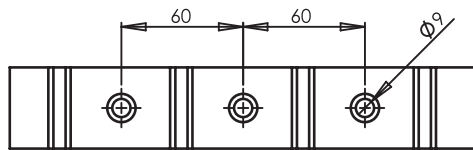
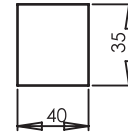
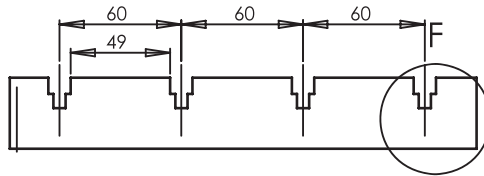
CROSS SECTION OF COPPER	3X1F+N BUSBAR SUPPORT			
	DISTANCE BETWEEN PHASES L (MM)			
	330	600	800	1000
30X10	25,0	19,3	17,8	14,8
40X10	27,7	22,0	18,2	14,8
50X10	30,2	24,8	22,8	14,8
60X10	32,4	27,5	22,8	14,8
80X10	36,0	27,5	22,8	14,8
100X10	36,0	27,5	26,8	14,8



CODE / KOD
İRTPL 1005


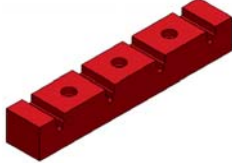



* Tabloda verilmiş olan kısa devre değeri hesaplama yöntemi ile tespit edilmiştir.

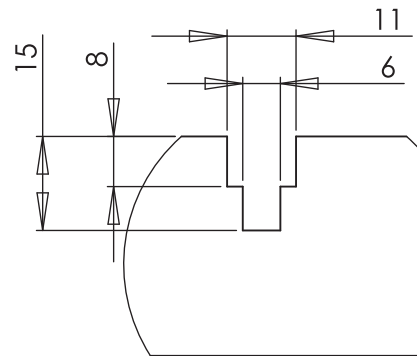
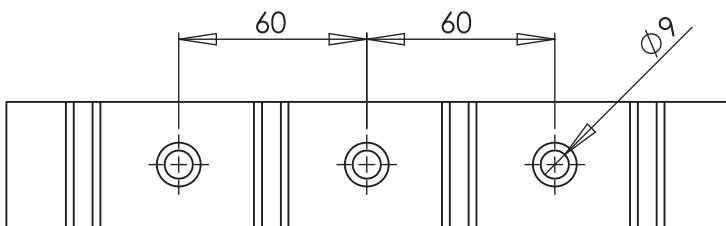
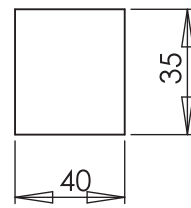
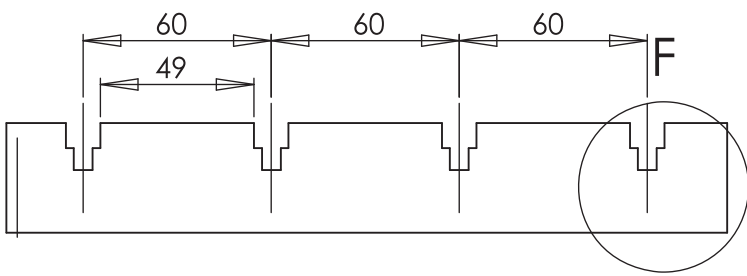
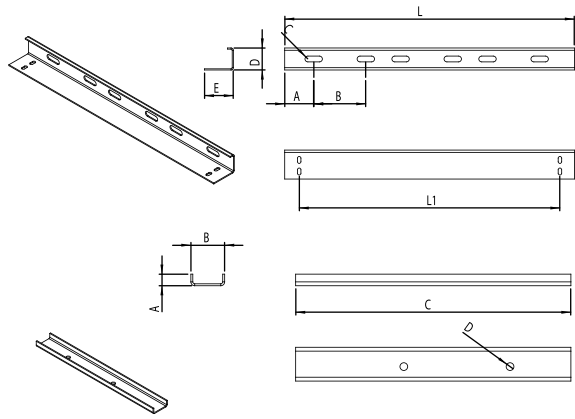
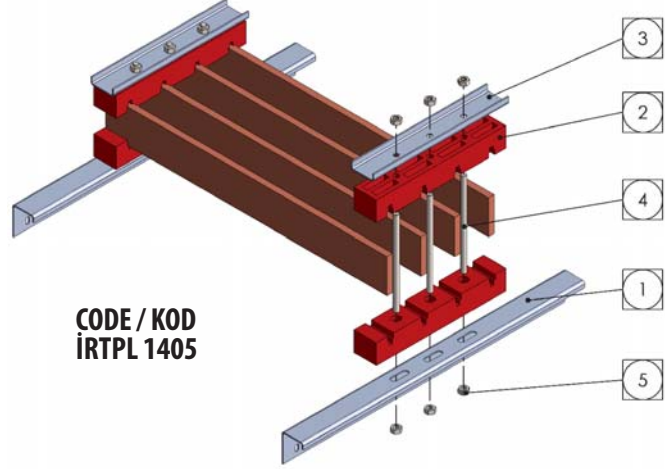
* Short circuit values given in Table calculation method It has been identified.



DETAIL F
SCALE 1 : 1

3x1F + N FIBER GLASS BUSBAR SUPPORT WITH 5-10 mm COPPER 3 PHASE + N

NO	ÜRÜN / PRODUCT	ADET / PIECE
1		1
2		2
3		1
4		2
5		6

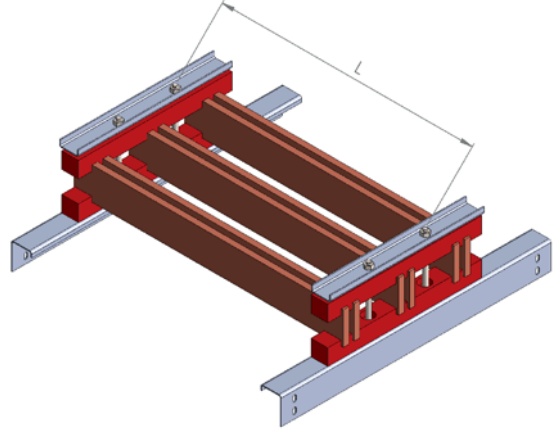


DETAIL F
SCALE 1 : 1

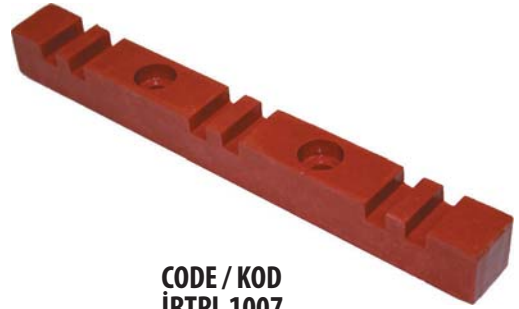
3x2F FIBER GLASS BUSBAR SUPPORT WITH 10 mm COPPER

TECHNICAL SPECIFICATIONS

- * Insulator is designed to be used to support carriers 10 mm copper busbars.
- * Fiber glass material
- * Operation temperature (-40 / + 130 degrees)
- * Operation voltage (Ue) 400V
- * Rated insulation voltage (Ui) 3000V
- * Rated Impulse withstand voltage (Uimp) 12kV
- * Rated Frequency (f) 50Hz
- * Rated Short-circuit withstand current (Icw) 45kA
- * Rated Peak withstand current (IPK) 143kA



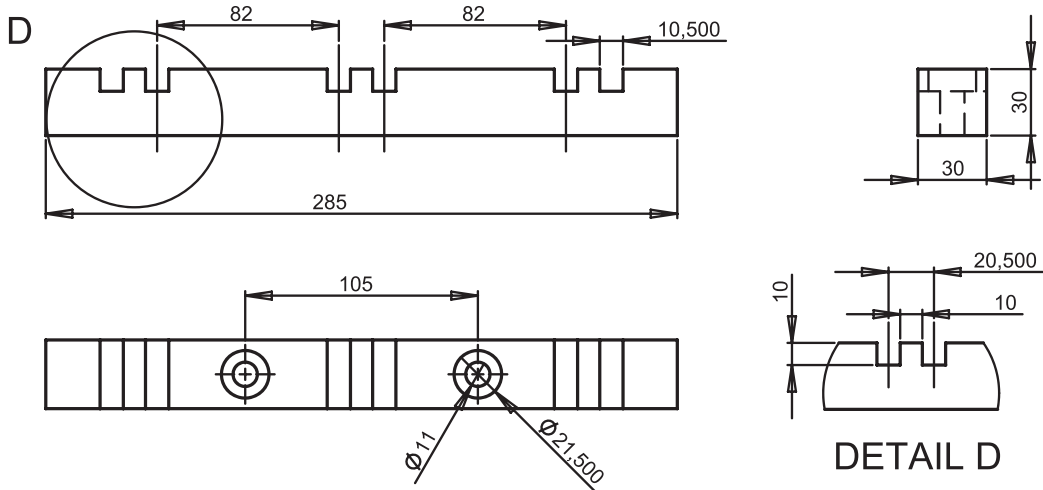
CROSS SECTION OF COPPER	3X2F BUSBAR SUPPORT			
	DISTANCE BETWEEN PHASES L (MM)			
	330	600	800	1000
2X30X10	45,0	25,0	17,8	14,8
2X40X10	55,0	30,0	18,2	14,8
2X50X10	55,0	30,2	22,8	14,8
2X60X10	58,0	30,2	22,8	14,8
2X80X10	58,0	34,2	22,8	14,8
2X100X10	60,0	36,0	26,8	14,8




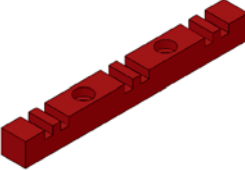



CODE / KOD
İRTPL 1007

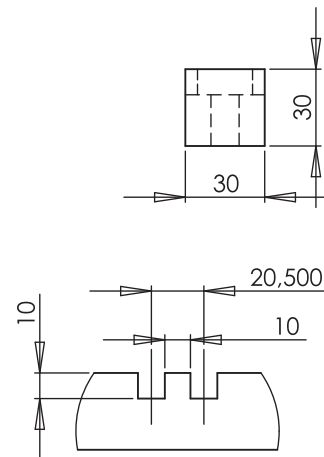
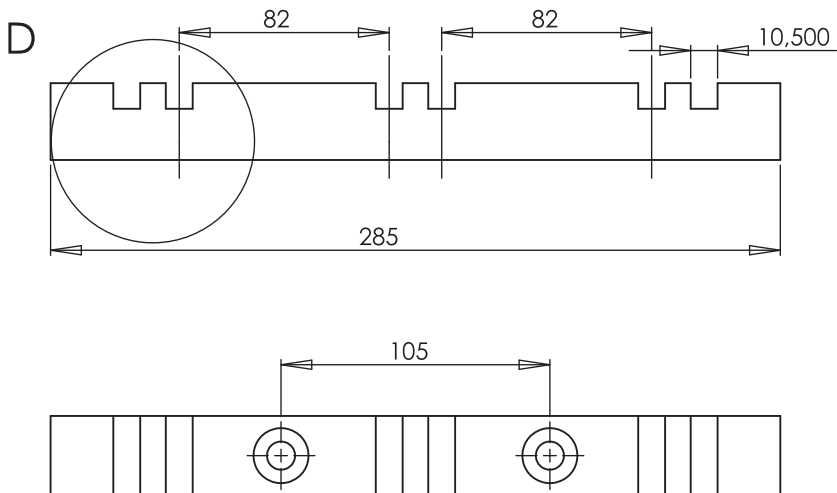
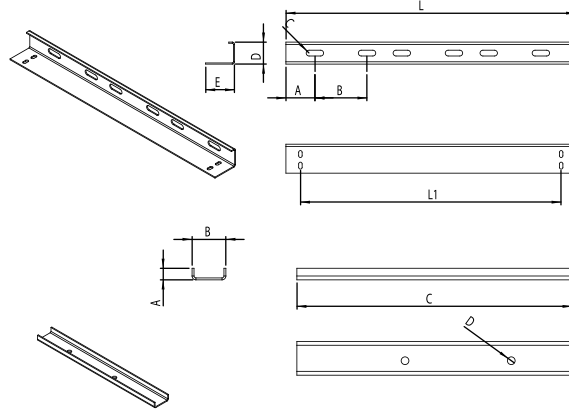
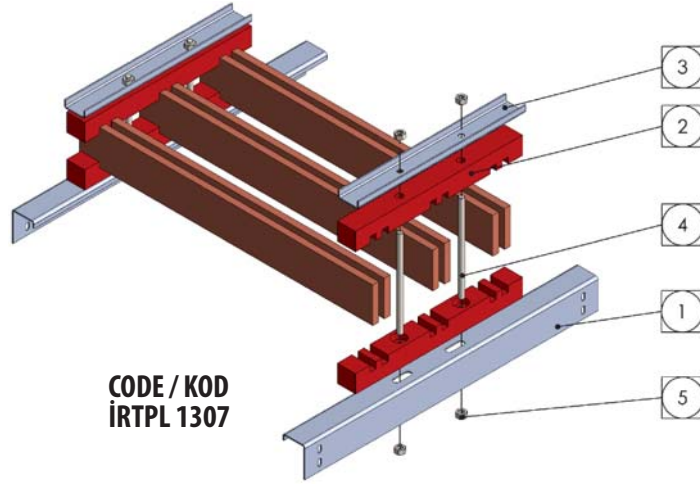
* Tabloda verilmiş olan kısa devre değeri hesaplama yöntemi ile tespit edilmiştir.

* Short circuit values given in Table calculation method It has been identified.



3x2F FIBER GLASS BUSBAR SUPPORT WITH 10 mm COPPER

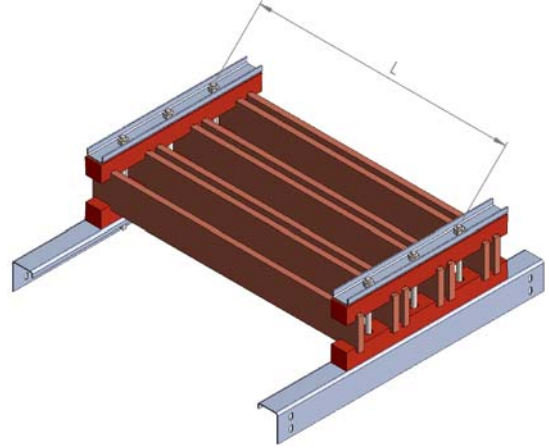
NO	ÜRÜN / PRODUCT	ADET / PIECE
1		1
2		2
3		1
4		2
5		6



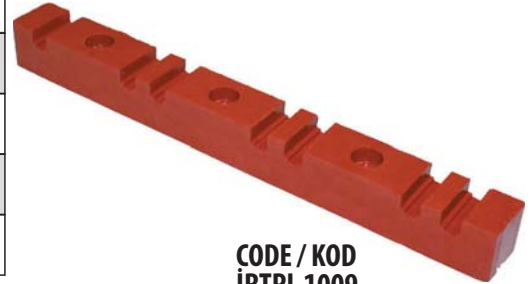
DETAIL D

TECHNICAL SPECIFICATIONS

- * Insulator is designed to be used to support carriers 5-10 mm copper busbars.
- * Fiber glass material
- * Operation temperature (-40 / + 130 degrees)
- * Operation voltage (Ue) 400V.
- * Rated insulation voltage (Ui) 3000V.
- * Rated Impulse withstand voltage (Uimp) 12kV.
- * Rated Frequency (f) 50Hz
- * Rated Short-circuit withstand current (Icw) 36kA.
- * Rated Peak withstand current (IPK) 143kA.



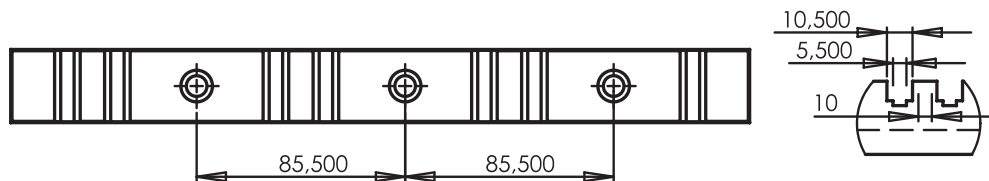
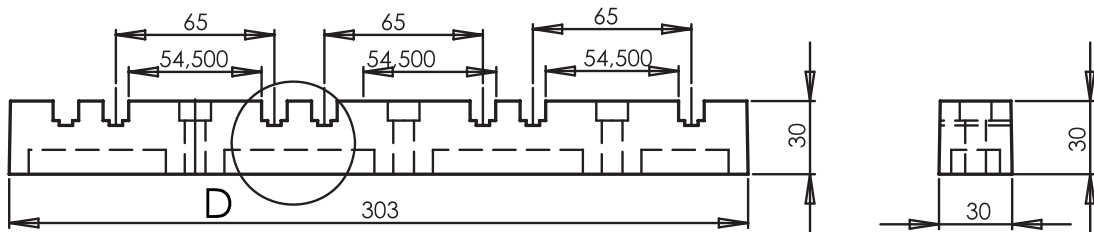
CROSS SECTION OF COPPER	3X2F+N BUSBAR SUPPORT			
	DISTANCE BETWEEN PHASES L (MM)			
	330	600	800	1000
2X30X10	36,0	25,0	17,8	14,8
2X40X10	41,0	30,0	18,2	14,8
2X50X10	46,0	30,2	22,8	14,8
2X60X10	49,0	30,2	22,8	14,8
2X80X10	54,0	34,2	22,8	14,8
2X100X10	59,0	36,0	26,8	14,8



CODE / KOD
İRTPL 1009


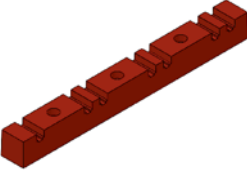



* Tabloda verilmiş olan kısa devre değeri hesaplama yöntemi ile tespit edilmiştir.

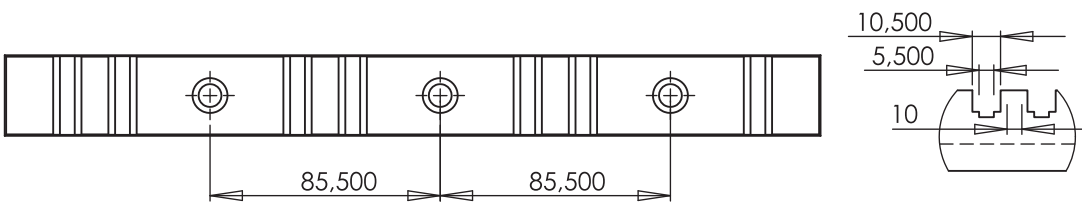
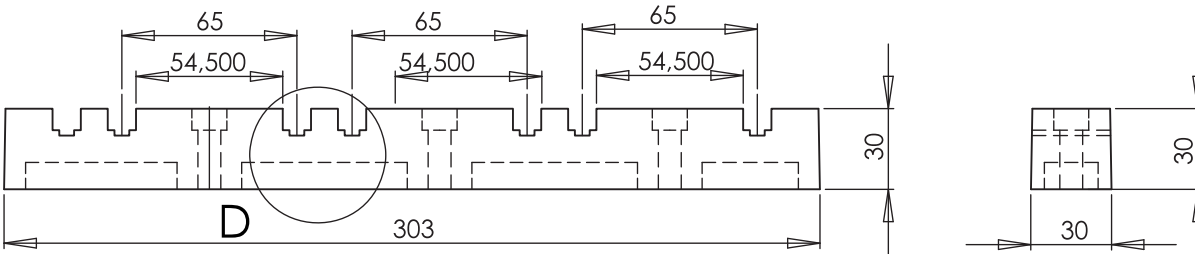
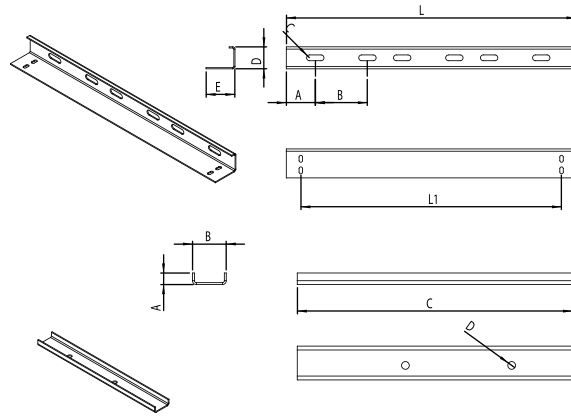
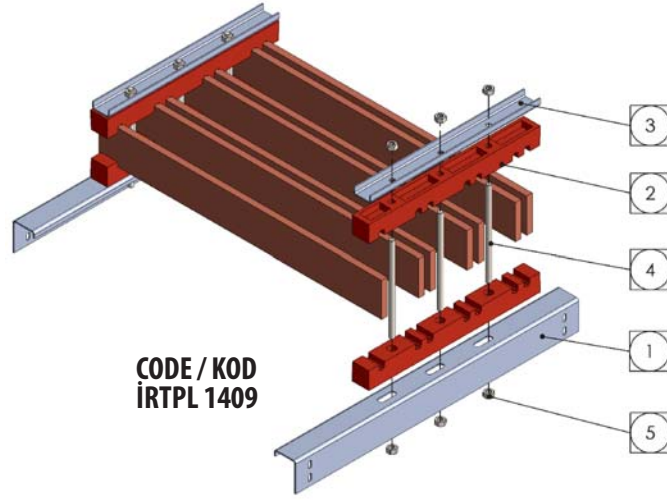
* Short circuit values given in Table calculation method It has been identified.



DETAIL D

3x2F FIBER GLASS BUSBAR SUPPORT WITH 10 mm COPPER

NO	ÜRÜN / PRODUCT	ADET / PIECE
1		1
2		2
3		1
4		3
5		9

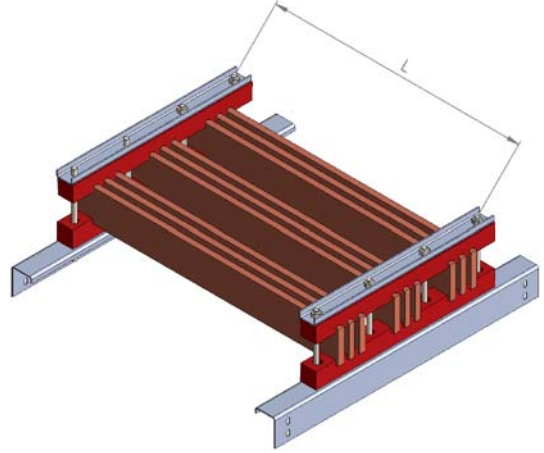


DETAIL D

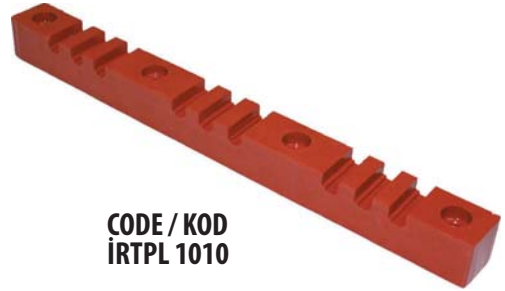
3x3F FIBER GLASS BUSBAR SUPPORT WITH 5 -10 mm COPPER

TECHNICAL SPECIFICATIONS

- * Insulator is designed to be used to support carriers 5-10 mm copper busbars.
- * Fiber glass material
- * Operation temperature (-40 / + 130 degrees)
- * Operation voltage (Ue) 400V
- * Rated insulation voltage (Ui) 3000V
- * Rated Impulse withstand voltage (Uimp) 12kV
- * Rated Frequency (f) 50Hz
- * Rated Short-circuit withstand current (Icw) 45kA
- * Rated Peak withstand current (IPK) 143kA

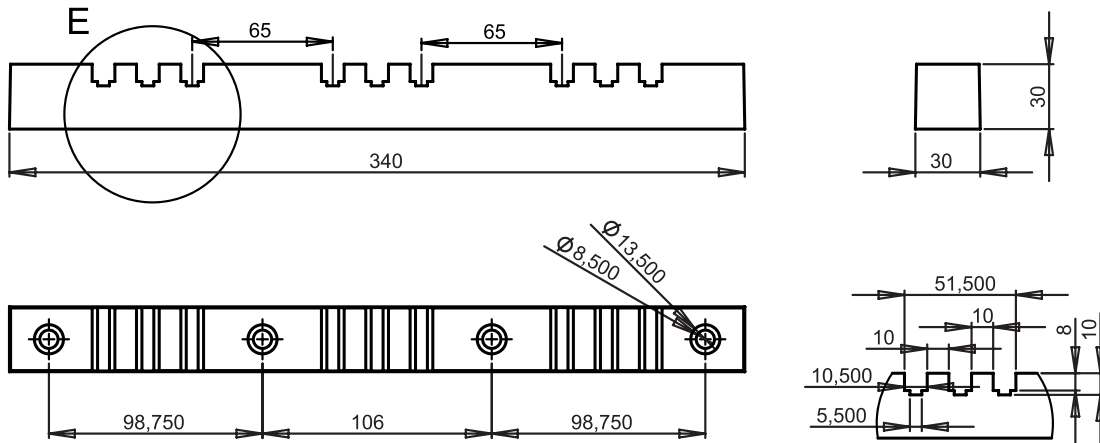


CROSS SECTION OF COPPER	3X3F BUSBAR SUPPORT			
	DISTANCE BETWEEN PHASES L (MM)			
	330	600	800	1000
3X30X10	45,0	25,0	17,8	14,8
3X40X10	55,0	30,0	18,2	14,8
3X50X10	55,0	30,2	22,8	14,8
3X60X10	58,0	30,2	22,8	14,8
3X80X10	58,0	34,2	22,8	14,8
3X100X10	60,0	36,0	26,8	14,8




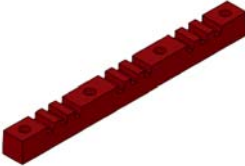



* Tabloda verilmiş olan kısa devre değeri hesaplama yöntemi ile tespit edilmiştir.

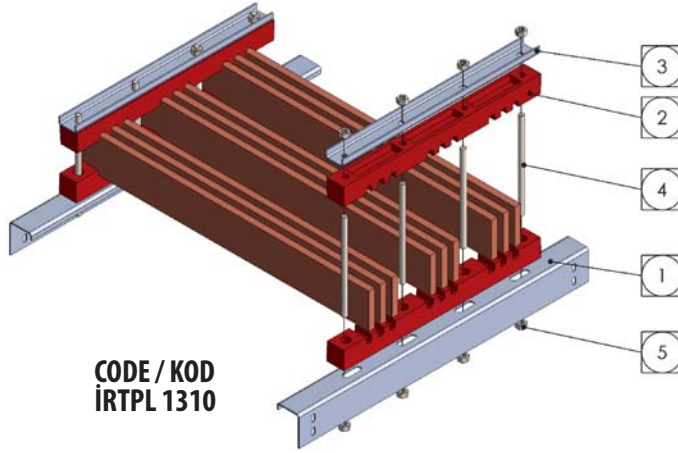
* Short circuit values given in Table calculation method It has been identified.



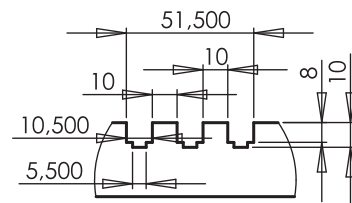
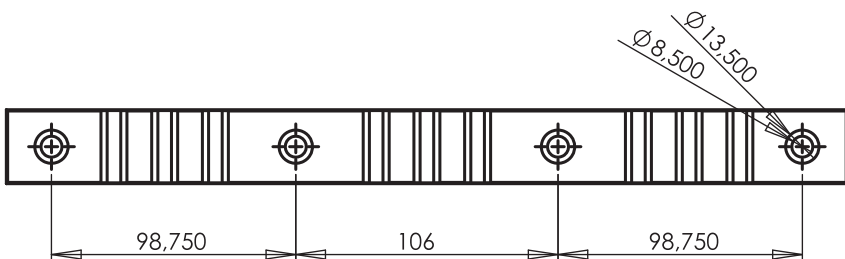
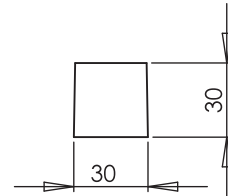
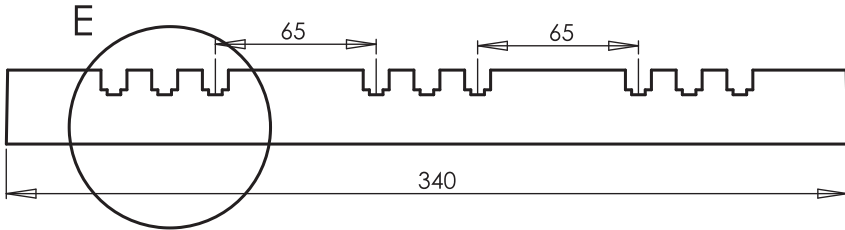
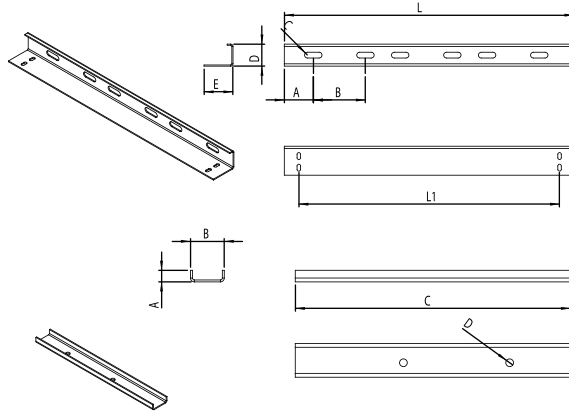
DETAIL E

3x3F FIBER GLASS BUSBAR SUPPORT WITH 10 mm COPPER

NO	ÜRÜN / PRODUCT	ADET / PIECE
1		1
2		2
3		1
4		4
5		12



CODE / KOD
İRTPL 1310

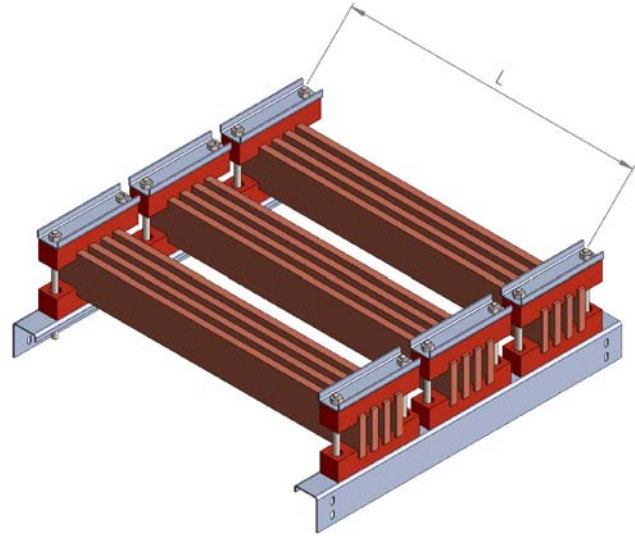


DETAIL E

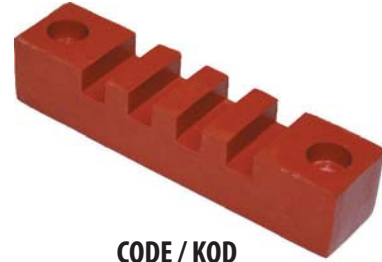
1x4F FIBER GLASS BUSBAR SUPPORT WITH 10 mm COPPER

TECHNICAL SPECIFICATIONS

- * Insulator is designed to be used to support carriers 10 mm copper busbars.
- * Fiber glass material
- * Operation temperature (-40 / + 130 degrees)
- * Operation voltage (Ue) 400V
- * Rated insulation voltage (Ui) 3000V
- * Rated Impulse withstand voltage (Uimp) 12kV
- * Rated Frequency (f) 50Hz
- * Rated Short-circuit withstand current (Icw) 65kA
- * Rated Peak withstand current (IPK) 143kA



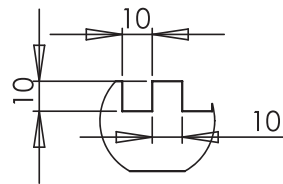
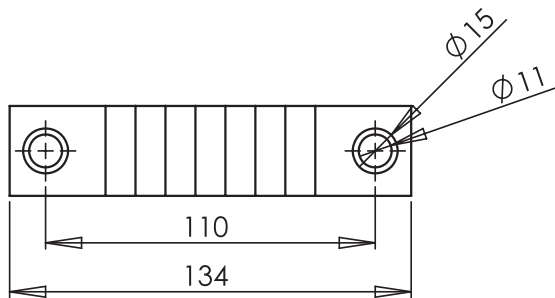
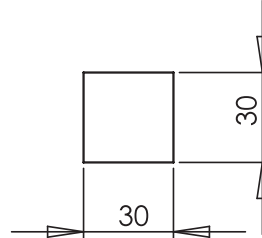
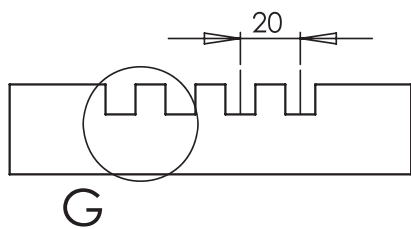
CROSS SECTION OF COPPER	1X4F BUSBAR SUPPORT			
	DISTANCE BETWEEN PHASES L (MM)			
	330	600	800	1000
4X40X10	65,0	40,0	40,0	20,0
4X50X10	67,0	40,0	40,0	20,0
4X60X10	70,0	47,0	47,0	20,0
4X80X10	73,0	48,0	48,0	20,0
4X100X10	75,0	50,0	50,0	20,0
4X120X10	75,0	52,0	52,0	20,0



CODE / KOD
İRTPL 1001






* Tabloda verilmiş olan kısa devre değeri hesaplama yöntemi ile tespit edilmiştir.

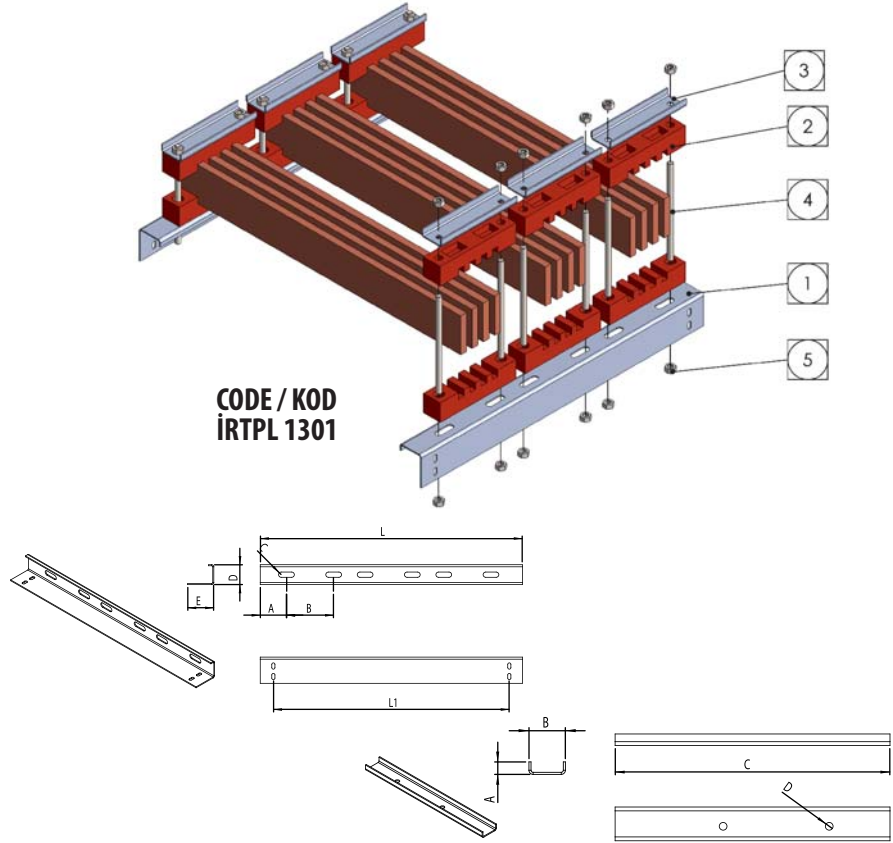
* Short circuit values given in Table calculation method It has been identified.








DETAIL G

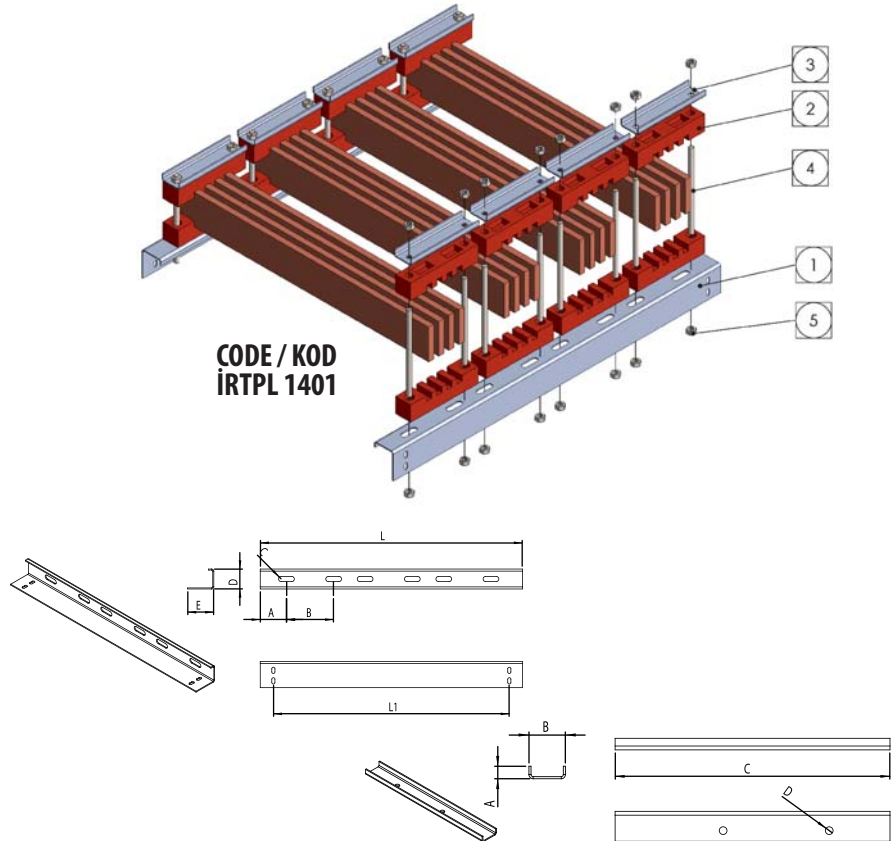
1x4F FIBER GLASS BUSBAR SUPPORT WITH 10 mm COPPER

NO	ÜRÜN / PRODUCT	ADET / PIECE
1		1
2		6
3		3
4		6
5		18



1x4F + N FIBER GLASS BUSBAR SUPPORT WITH 10 mm COPPER

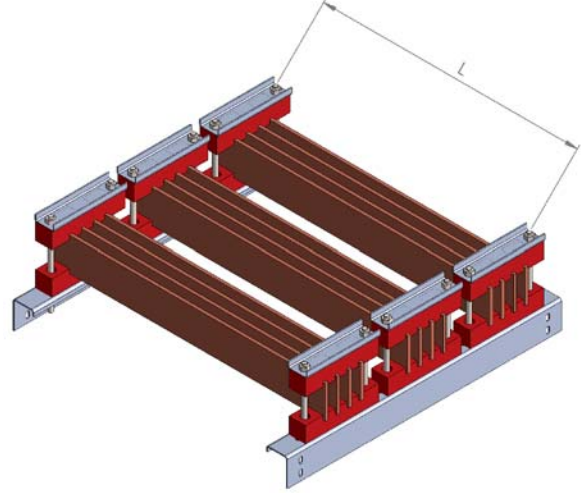
NO	ÜRÜN / PRODUCT	ADET / PIECE
1		1
2		8
3		4
4		8
5		24



1x4F FIBER GLASS BUSBAR SUPPORT WITH 10 mm COPPER

TECHNICAL SPECIFICATIONS

- * Insulator is designed to be used to support carriers 5 mm copper busbars.
- * Fiber glass material
- * Operation temperature (-40 / + 130 degrees)
- * Operation voltage (Ue) 400V.
- * Rated insulation voltage (Ui) 3000V
- * Rated Impulse withstand voltage (Uimp) 12kV
- * Rated Frequency (f) 50Hz
- * Rated Short-circuit withstand current (Icw) 50kA
- * Rated Peak withstand current (IPK) 143kA



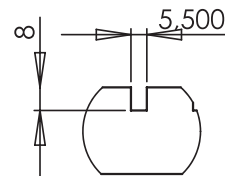
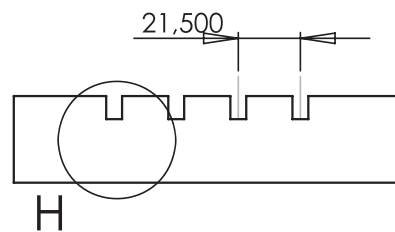
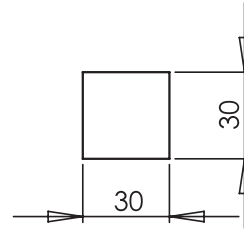
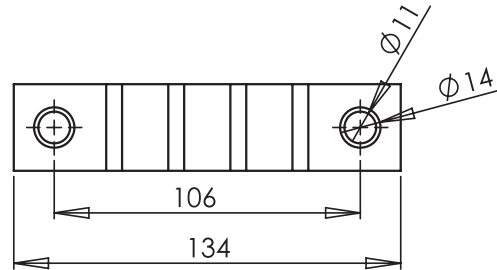
CROSS SECTION OF COPPER	1X4F BUSBAR SUPPORT			
	DISTANCE BETWEEN PHASES L (MM)			
	330	600	800	1000
4x40x5	50,0	30,0	20,0	12,0
4x50x5	55,0	30,0	23,0	12,0
4x60x5	60,0	32,0	25,0	12,0
4x80x5	65,0	35,0	27,0	12,0
4x100x5	65,0	35,0	27,0	12,0



CODE / KOD
İRTPL 1004


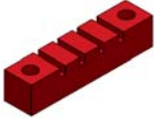



* Tabloda verilmiş olan kısa devre değeri hesaplama yöntemi ile tespit edilmiştir.

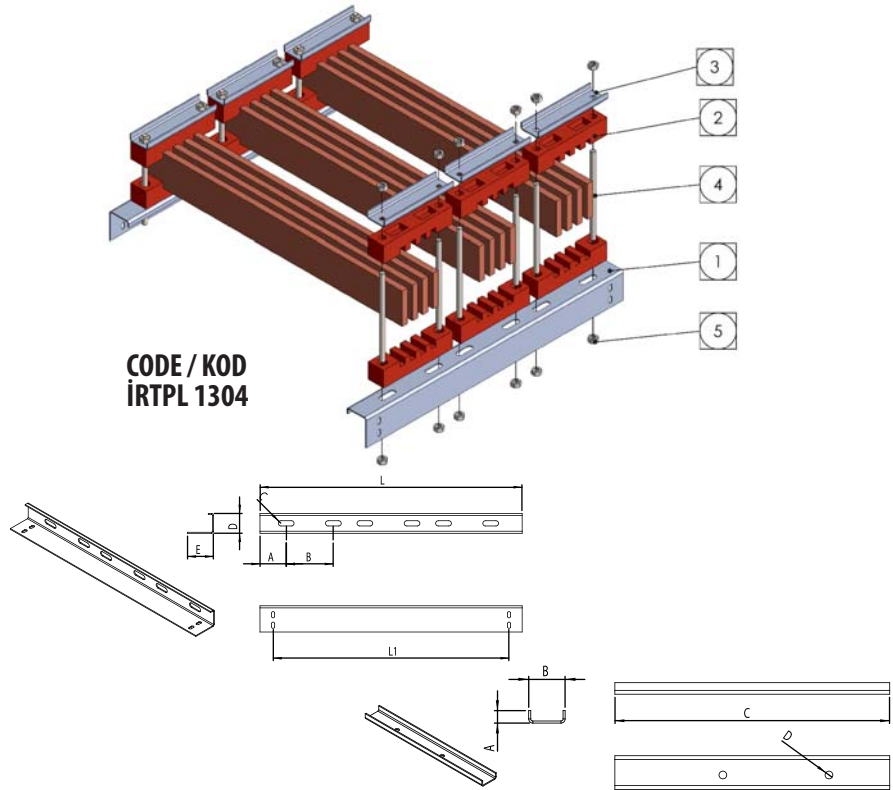
* Short circuit values given in Table calculation method It has been identified.




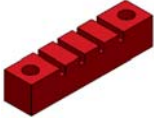



DETAIL H

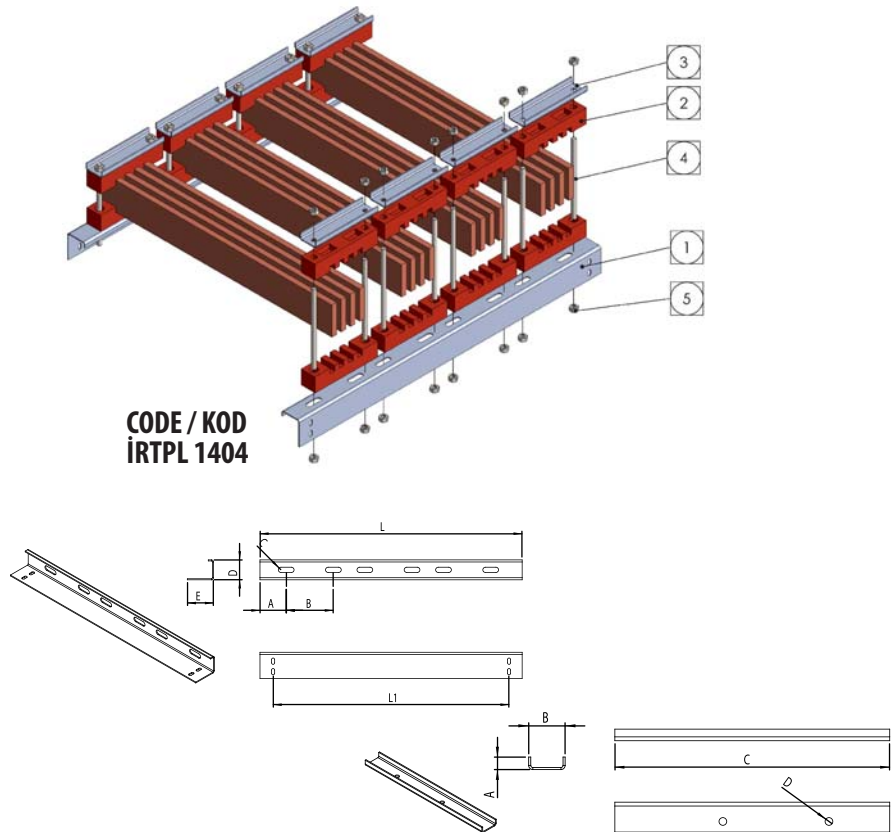
1x4F FIBER GLASS BUSBAR SUPPORT WITH 5 mm COPPER

NO	ÜRÜN / PRODUCT	ADET / PIECE
1		1
2		6
3		3
4		6
5		18



1x4F + N FIBER GLASS BUSBAR SUPPORT WITH 5 mm COPPER

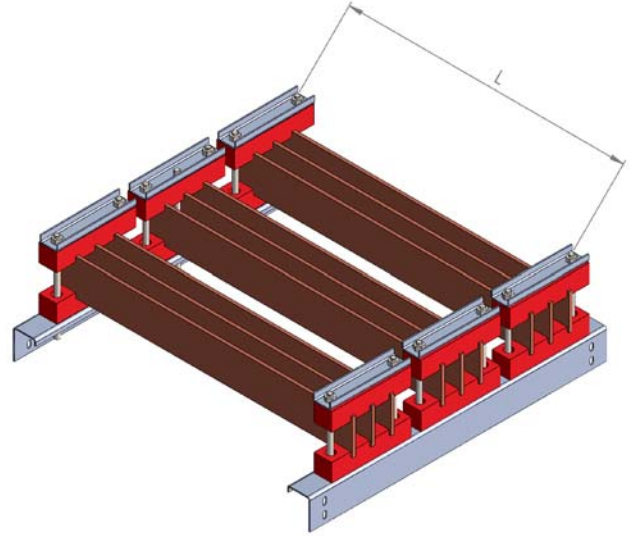
NO	ÜRÜN / PRODUCT	ADET / PIECE
1		1
2		6
3		3
4		6
5		18



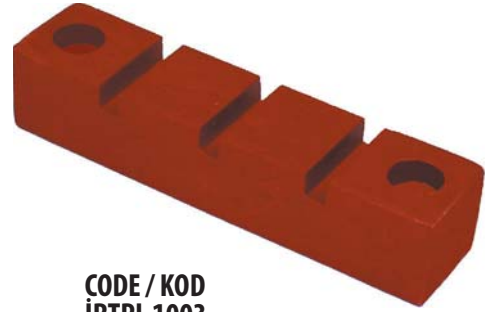
3x1FK FIBER GLASS BUSBAR SUPPORT WITH 10 mm COPPER

TECHNICAL SPECIFICATIONS

- * Insulator is designed to be used to support carriers 5 mm copper busbars.
- * Fiber glass material
- * Operation temperature (-40 / + 130 degrees)
- * Operation voltage (Ue) 400V
- * Rated insulation voltage (Ui) 3000V
- * Rated Impulse withstand voltage (Uimp) 12kV
- * Rated Frequency (f) 50Hz
- * Rated Short-circuit withstand current (Icw) 25kA
- * Rated Peak withstand current (IPK) 143kA



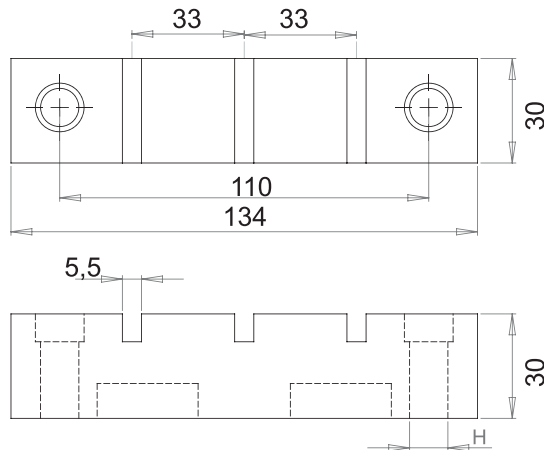
CROSS SECTION OF COPPER	1X4F BUSBAR SUPPORT			
	DISTANCE BETWEEN PHASES L (MM)			
	330	600	800	1000
3x40x5	25,0	20,0	20,0	12,0
3x50x5	27,2	20,0	23,0	12,0
3x60x5	29,8	22,0	25,0	12,0
3x80x5	31,2	25,0	27,0	12,0
3x100x5	33,0	25,0	27,0	12,0




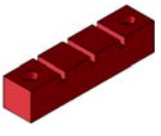



CODE / KOD
İRTPL 1003

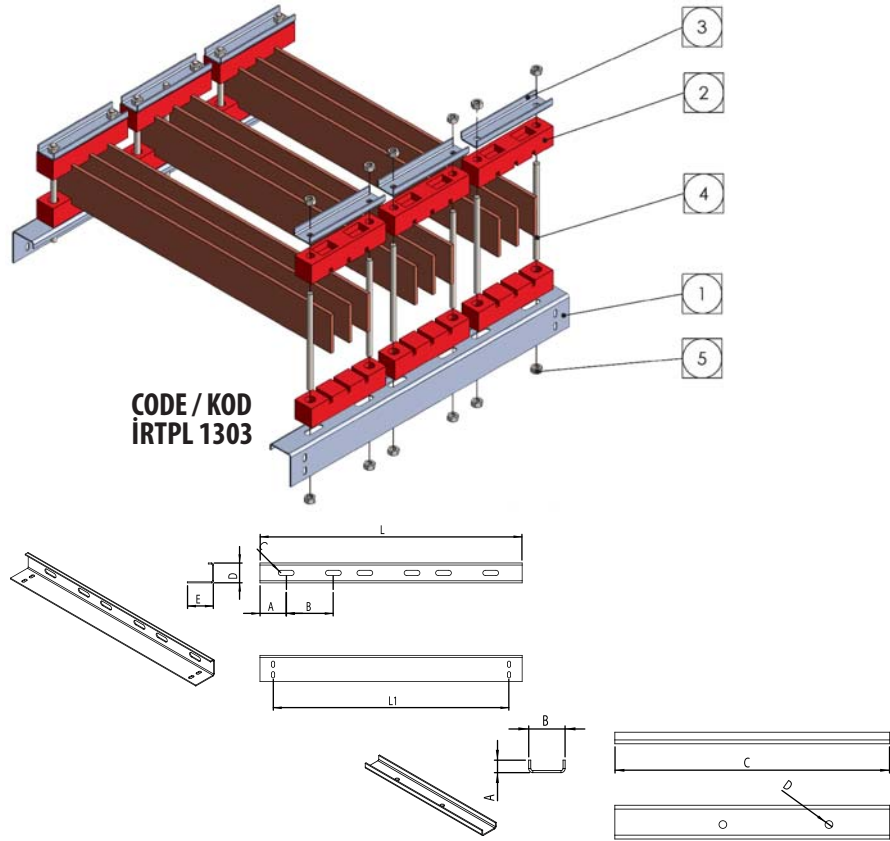
* Tabloda verilmiş olan kısa devre değeri hesaplama yöntemi ile tespit edilmiştir.

* Short circuit values given in Table calculation method It has been identified.


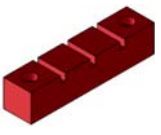





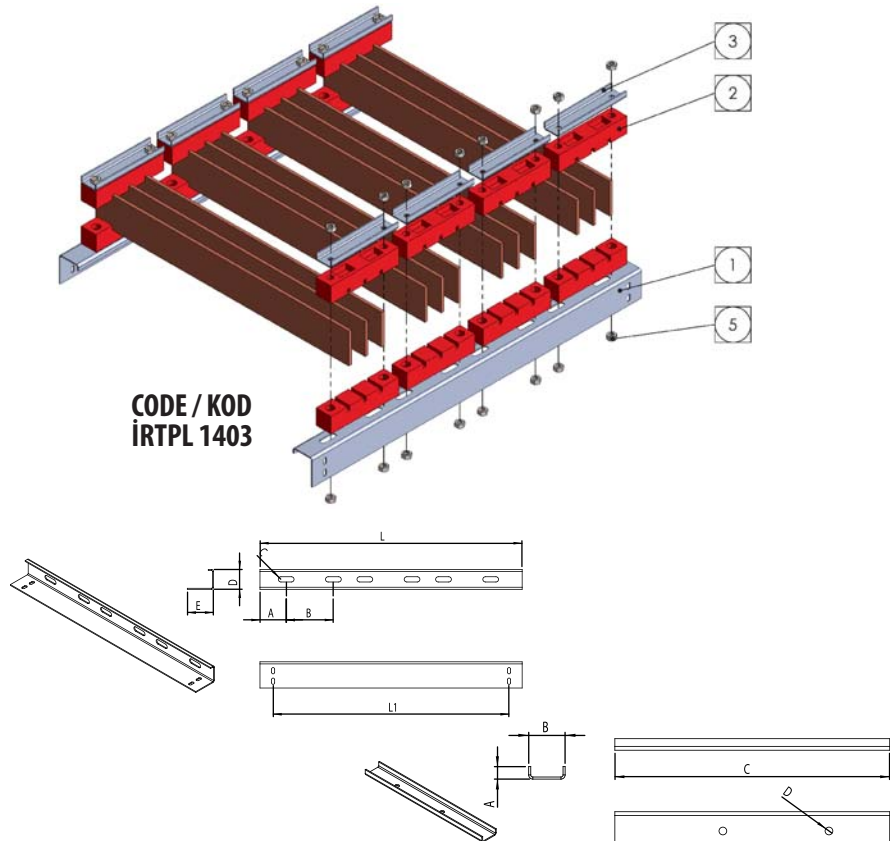
3x1FK FIBER GLASS BUSBAR SUPPORT WITH 5 mm COPPER

NO	ÜRÜN / PRODUCT	ADET / PIECE
1		1
2		6
3		3
4		6
5		18



3x1FK + N FIBER GLASS BUSBAR SUPPORT WITH 5 mm COPPER

NO	ÜRÜN / PRODUCT	ADET / PIECE
1		1
2		8
3		4
4		8
5		24



FIBER GLASS BUSBAR SUPPORT INSULATORS

Low tension post insulators, whose rated voltage can go up to 100 V, are used to join a copper bar to a base in indoor. Post insulators are one the vital points in the places they are used. They are manufactured from BMC material, which has a high specific resistance and thermal features, elasticity, lightness, perfect dielectric features, flexibility in molding and designing, is also made from combining fiber glass which is resistant to the indoor conditions, flexible and highly mechanic resistance . It's chemical characters are listed below:

Designation: BMC 260

Material identification : >UP – (GF+MD)75FR(60)<

ISO 11469

Color: Red

Description : BMC 260 is a glassfibre reinforced composite material based on unsaturated polyester resin with additives.

Halogen free and self extinguishing.

Application:General electrotechnical application.

Temperature range : -40 °C to +130 °C

Physical Properties:Glassfibre Contents18%

Specific Weight1,75g/cm³ DIN 53479

Moulding Shrinkage<0,1%

Water Absorption<0,2% (<25mg) DIN EN ISO 62

Mechanical Properties :

Martens Degree>200°C DIN 53462

Flexural Strength90 N/mm² DIN EN ISO 178

Impact Strength25-30 kJ/m² DIN EN ISO 179

Flammability:

Glow –wire Flammability960° C DIN EN 60695

Electrical Properties:

Surface Resistivity10¹⁴ Ωcm DIN IEC 60093

Volume Resistivity10¹⁴ Ωcm DIN IEC 60093

Dielectric Strength150 kV/cm DIN EN 60243-1

Tracking ResistanceCTI 600 DIN IEC 60112

Nuts : steel-zinc lined. (brass material can used if needed)

Bolt : Cr3 8.8 steel bolt

All data are based on tests performed on standardized test samples according to applicable material standarts. Data and information are intended for guidance only and are not binding. No warranty can be assumed in all situations.

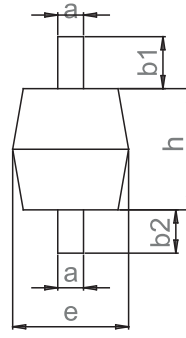
- Information for informational purposes only and are not binding.



INDOOR TYPE INSULATOR LV

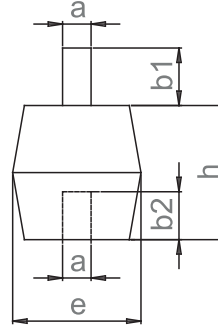
Double Sided Bolt

Code	Type	Dimensions (mm)					Service Voltage ~kV	Test Voltage ~kV	Tensile Strength kN	Weight kg/1 box
		a	b1	b2	e	h				
İRMPL1001	1N0-S / M5	5	8	10	22	24	0,6	3	0,75	11,00
İRMPL1002	1N1-S / M6	6	10	10	27	28	0,6	3	1,00	12,00
İRMPL1003	1NMS-1 / M8	8	12	15	40	40	1	3	4,00	10,50
İRMPL1004	1NMS-2 / M10	10	12	15	40	40	1	3	4,00	14,00



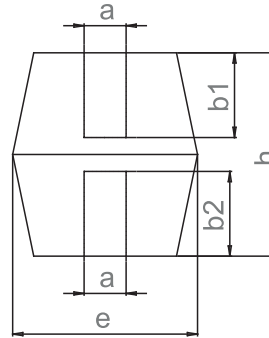
One Side Bolt

Code	Type	Dimensions (mm)					Service Voltage ~kV	Test Voltage ~kV	Tensile Strength kN	Weight kg/1 box
		a1	b1	b2	e	h				
İRMPL1005	1N0-K / M5	5	8	10	22	24	0,6	3	0,75	10,50
İRMPL1006	1N1-K / M6	6	10	10	27	28	0,6	3	1,00	10,80
İRMPL1007	1NMK-3 / M8	8	15	12	40	40	1	3	4,00	9,80
İRMPL1008	1NMK-2 / M10	10	15	15	40	40	1	3	4,00	11,40



Double Side Support

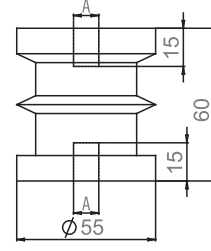
Code	Type	Dimensions (mm)					Service Voltage ~kV	Test Voltage ~kV	Tensile Strength kN	Weight kg/1 box
		a	b1	b2	e	h				
İRMPL1009	1N0-KK M5	5	9	9	22	24	0,6	3	0,75	10,00
İRMPL1010	1N1-KK M6	6	10	10	27	28	0,6	3	1,00	9,90
İRMPL1011	1NMK-4 M8	8	15	15	40	40	1	3	4,00	8,80
İRMPL1012	1NMK-1 M10	10	15	15	40	40	1	3	4,00	8,90



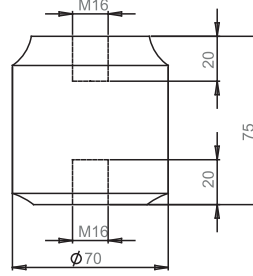
Tüm Ürünler 960°C Kızaran Tel Testi ile Belgelendirilmiştir.

INDOOR TYPE INSULATOR LV

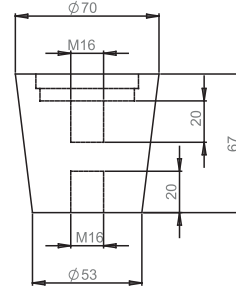
Code	Type	Nut Measure (A)	Service Voltage ~kV	Test Voltage ~kV	Tensile Strength kN	Weight kg/18 pcs.
İRMPL1016	1N500	M8	3	15	5,00	7,00
İRMPL1017	1N500	M10	3	15	5,00	7,00
İRMPL1018	1N500	M12	3	15	5,00	7,00



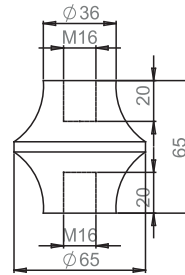
Code	Type	Service Voltage ~kV	Test Voltage ~kV	Tensile Strength kN	Weight kg/18 pcs.
İRMPL1013	1NMD-1	3	20	8,00	9,00



Code	Type	Service Voltage ~kV	Test Voltage ~kV	Tensile Strength kN	Weight kg/18 pcs.
İRMPL1014	1NMA-2	3	15	5,50	6,65



Code	Type	Service Voltage ~kV	Test Voltage ~kV	Tensile Strength kN	Weight kg/18 pcs.
İRMPL1015	1NMC-3	3	15	5,00	4,60



Tüm Ürünler 960°C Kızaran Tel Testi ile Belgelendirilmiştir.

PLASTIC BUSBAR SUPPORT INSULATORS (V0)

Low tension post insulators is made of non-flammable (V0) material. It is used for the same purpose as BMC insulators. It is more flexible than BMC insulators due to refraction rate is low. It's chemical characters are listed below:

Designation:

Poliamide 6 reinforced with fiberglass ISO 11469

Color: Black

Description :

The material is a glassfibre reinforced poliamide 6
Halogen free and self extinguishing.

Application:

General electrotechnical application.

Temperature range : -40 °C to +130 °C

Physical Properties:

Glassfibre Contents30%

Specific Weight1,56g/cm³

Moulding Shrinkage<0,03%

Water Absorption<0,2% (<25mg) DIN EN ISO 62

Mechanical Properties:

Martens Degree>200°C DIN 53462

Flexural Strength205 N/mm² DIN EN ISO 178

Impact Strength14 kJ/m² DIN EN ISO 180

Flammability:

Glow –wire Flammability960° C DIN EN 60695

Electrical Properties:

Surface Resistivity10¹⁴ Ωcm DIN IEC 60093

Volume Resistivity10¹⁴ Ωcm DIN IEC 60093

Dielectric Strength150 kV/cm DIN EN 60243-1

Tracking ResistanceCTI 600 DIN IEC 60112

Nuts: Steel-zinc lined. (brass material can used if needed)

Bolt: Cr3 8.8 steel bolt

All data are based on tests performed on standardized test samples according to applicable material standarts.
Data and information are intended for guidance only and are not binding. No warranty can be assumed in all situations.

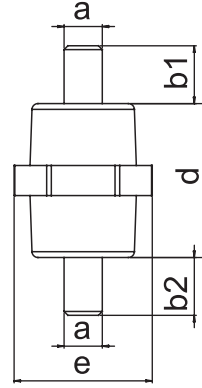
- Information for informational purposes only and are not binding.



INDOOR TYPE INSULATOR LV

Double Sided Bolt

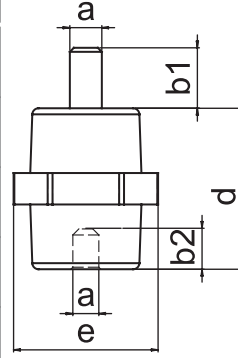
Code	Type	Dimensions (mm)					Service Voltage ~kV	Test Voltage ~kV	Tensile Strength kN	Weight kg/1 box
		a	b1	b2	e	d				
İRMP51001	1N0-S / M5	5	12	12	18	25,5	0,6	3	1,00	8,50
İRMP51002	1N1-S / M6	6	16	16	21	29,5	0,6	3	1,00	8,70
İRMP51003	1NMS-1 / M8	8	15	15	31,5	40	1	3	4,00	7,10
İRMP51004	1NMS-2 / M10	10	15	15	31,5	40	1	3	4,00	9,50
İRMP51013	1NMS-3 / M8	8	18	18	43,3	50	1	3	4,00	9,50
İRMP51014	1NMS-4 / M10	10	18	18	43,3	50	1	3	4,00	9,50



Ürün Belgeleri
960°C Kızaran Tel Testi

One Side Bolt

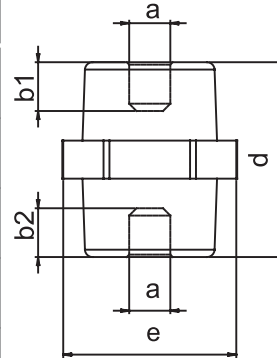
Code	Type	Dimensions (mm)					Service Voltage ~kV	Test Voltage ~kV	Tensile Strength kN	Weight kg/1 box
		a	b1	b2	e	d				
İRMP51005	1N0-K / M5	5	12	10	18	25,5	0,6	3	1,00	8,00
İRMP51006	1N1-K / M6	6	16	12	21	29,5	0,6	3	1,00	7,50
İRMP51007	1NMK-3 / M8	8	15,5	15	31,5	40	1	3	4,00	5,80
İRMP51008	1NMK-2 / M10	10	15	15	31,5	40	1	3	4,00	7,70
İRMP51015	1NMK-5 / M8	8	18	15	43,3	50	1	3	4,00	7,70
İRMP51016	1NMK-6 / M10	10	18	15	43,3	50	1	3	4,00	7,70



Ürün Belgeleri
960°C Kızaran Tel Testi

Double Side Support

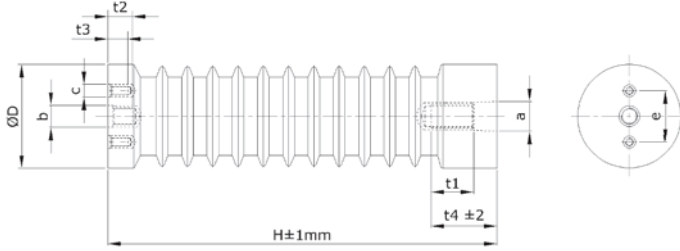
Code	Type	Dimensions (mm)					Service Voltage ~kV	Test Voltage ~kV	Tensile Strength kN	Weight kg/1 box
		a	b1	b2	e	d				
İRMP51009	1N0-KK / M5	5	7	10	18	25,5	0,6	3	1,00	7,50
İRMP51010	1N1-KK / M6	6	10	10	21	29,5	0,6	3	1,00	6,30
İRMP51011	1NMK-4 / M8	8	15	15	31,5	40	1	3	4,00	4,60
İRMP51012	1NMK-1 / M10	10	15	15	31,5	40	1	3	4,00	5,00
İRMP51017	1NMK-7 / M8	8	15	15	43,3	50	1	3	4,00	5,00
İRMP51018	1NMK-8 / M10	10	15	15	43,3	50	1	3	4,00	5,00



Ürün Belgeleri
960°C Kızaran Tel Testi

BUILT-IN TYPE POST INSULATORS DAHİLİ TİP MESNET İZOLATÖRLERİ

Kod / Code	Um (kV)	Ürün Tanımı Description	Ürün Adı / Product Name	Kutu Adedi / Box Qty.
İRM1002	12	10 N 500	12 kV DAHİLİ TİP MESNET İZOLATÖRÜ	25
İRM1003		10 N 1000	12 kV DAHİLİ TİP MESNET İZOLATÖRÜ	12
İRM2001	24	20 N 500	24 kV DAHİLİ TİP MESNET İZOLATÖRÜ	8
İRM2002		20 N 1000	24 kV DAHİLİ TİP MESNET İZOLATÖRÜ	8
İRM3001	36	30 N 500	36 kV DAHİLİ TİP MESNET İZOLATÖRÜ	6
İRM3002		30 N 1000	36 kV DAHİLİ TİP MESNET İZOLATÖRÜ	6

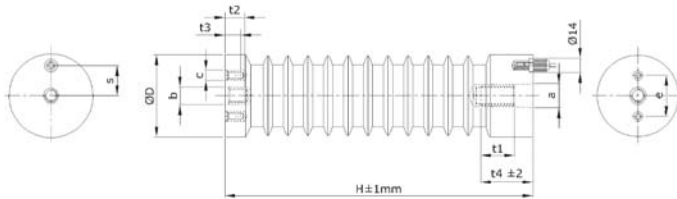


TİP		Um	MIN. BÜKME	ÖLÇÜLER (mm)										MIN. KREPAJ	PERDE
IEC	VDE	Kv	N	H	e	D	a	b	c	t1	t2	t3	t4	mm	
JO475	10N 500	12	4000	130	36	62	M16	M12	M6	24	15	14	36	160	5
JO875	10N 1000	12	8000	130	46	80	M20	M16	M10	27	33	15	42	187	5
JO4125	20N 500	24	4000	210	36	74	M16	M12	M6	33	15	14	50	320	8
JO8125	20N 1000	24	8000	210	46	86	M20	M16	M10	27	33	15	44	320	8
JO4170	30N 500	36	4000	300	36	76	M16	M12	M6	33	15	14	54	445	11
JO10170	30N 1000	36	10000	300	46	99	M24	M16	M10	36	33	15	60	445	11



VOLTAGE DIVIDER POST INSULATOR DAHİLİ TİP ORTA GERİLİM KAPASİTİF GERİLİM BÖLÜCÜ MESNET İZOLATÖRLER

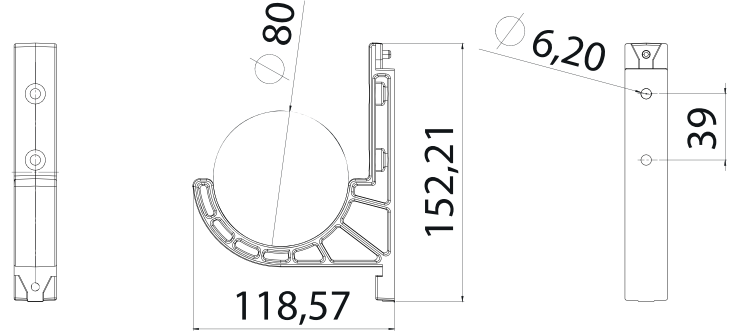
Kod / Code	Um (kV)	Ürün Adı / Product Name	Kutu Adedi / Box Qty.
İRDG1201	12	10 N 1000-K CZ (J08-75)	12
İRDG2401	24	20 N 500	8
İRDG2402		20 N 1000-K CZ1 (J08-125)	8
İRDG3601	36	30 N 500-K (J04-170)	6
İRDG3602		30 N 1000-K (J10-170)	3



TİP	Um	MIN. BÜKME	ÖLÇÜLER (mm)										MIN. KREPAJ	PERDE	
	Kv	N	H	e	D	s	a	b	c	t1	t2	t3	t4		mm
10N 1000	12	8000	130	46	80	30	M20	M16	M10	17	20	17	20	160	5
20N 500	24	4000	210	36	74	30	M20	M12	M6	35	20	14	47	320	8
20N 1000	24	8000	210	46	86	30	M16	M16	M10	35	27	20	47	320	8
30N 500	36	4000	300	36	82	34	M24	M12	M6	19	22	17	50	435	11
30N 1000	36	8000	300	46	99	34	M24	M16	M10	36	21	17	57	435	11

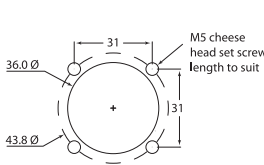
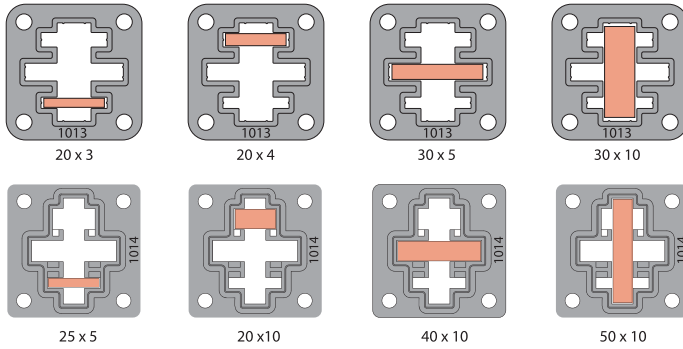


CABLE HANGING ACCESSORIES

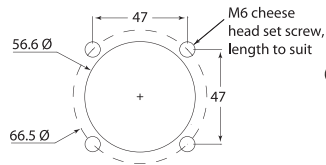


CODE / KOD	DESCRIPTION / AÇIKLAMA	Pcs. K./AD.
İR-7001	80 mm Cable Holder Accessories	50

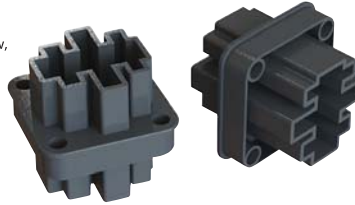
THROUGH WALL BUSHING & BOOTS



IRTPS 1013 Drilling Details
IRTPS 1013 Delme Detayları



IRTPS 1014 Drilling Details
IRTPS 1014 Delme Detayları



Bushings Properties

Bushings Material:	Glass Reinforced Polyamide 6.6
Conductor Temp:	140°C†
Flamability:	UL94-V0
Equipment Voltage U_e :	690V
Insulation Voltage U_i :	690V
Impulse Voltage U_{imp} :	8kV
Glow Wire:	960°C

CODE / KOD	TYPE / TİP	DESCRIPTION / AÇIKLAMA	Pcs. K./AD.
İRTPS1013	20x3/20x4/30x5/30x10	Insulating Bushings / Panodan Panoya Geçiş İzolatörleri	100
İRTPS1014	20x5/20x10/40x10/50x10	Insulating Bushings / Panodan Panoya Geçiş İzolatörleri	100



ONKA®

Choice of Professionals

Profesyonellerin Tercihii