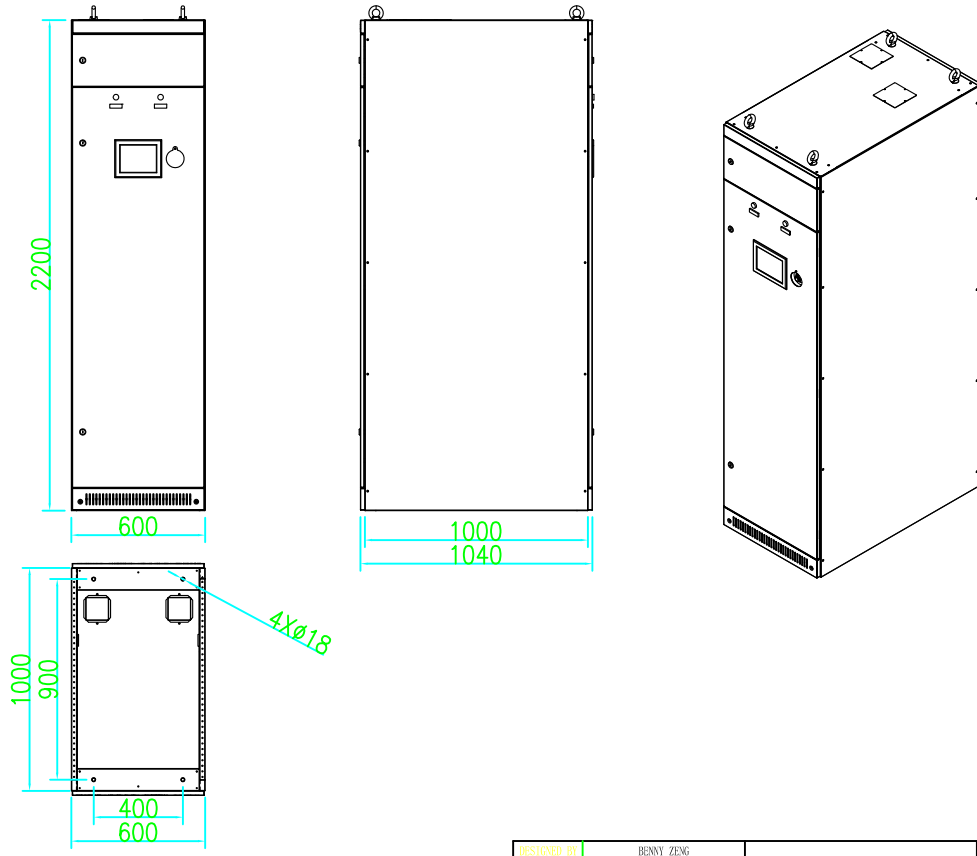


All rights reserved.

Electronic Document Name: SZSH-QW-RD-W1123



DESIGNED BY	BENNY ZENG
CHECKED BY	
TECH.	
STDY.	
APPROVED BY	

AHF CABINET
OVERALL DIMENSION

C66040122-WX	
TOTAL	1
SHEET	1
PROJECTION	

REV. NO.	REV. CONTENTS	DATE
A00	CURRENT VERSION	Sep/10/2014

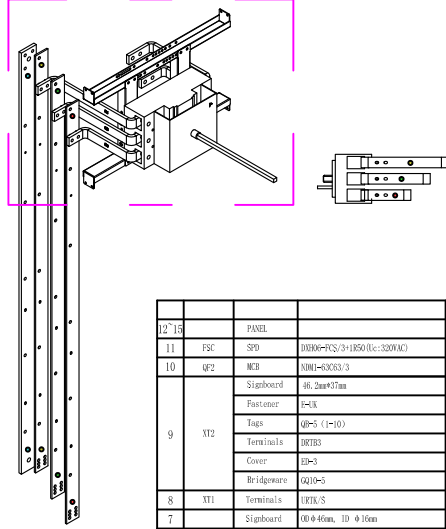
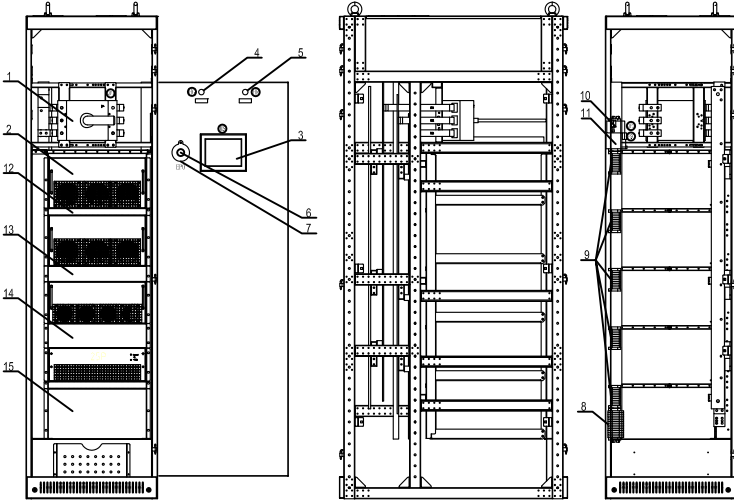
All rights reserved.

Electronic Document Name: SZ5H-QW-RD-W1123

FRONT VIEW

LEFT SIDE VIEW

BACK VIEW



Instructions:
 1, The total number can reach 5 while installing AHF100/AHF50/AHF25 modules.

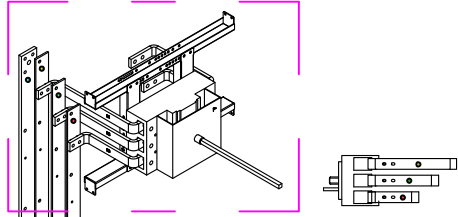
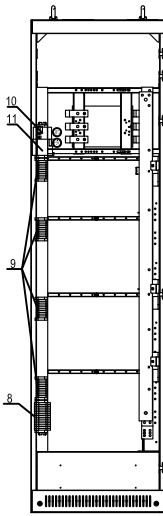
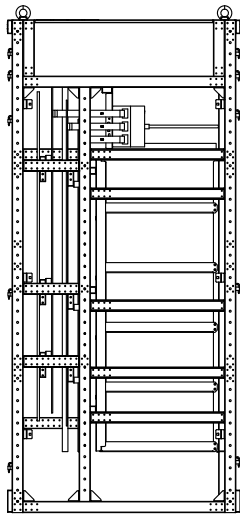
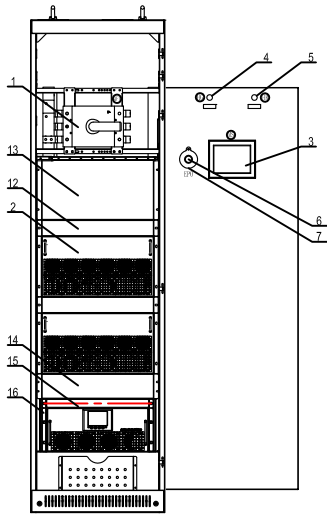
NO.	SYM.	NAME	SPEC.	PART NO.	QTY.	REMARK
12	15	PANEL				Optional
11	FSC	SPD	DM00-PCS/3-1850 (Uc: 3300A)	R29640007	1	Optional
10	MF2	MCB	NM1-630/3	R29610139	1	Optional
9	312	Signboard	86_2mm*17mm	A20670030	1	Depends on the capacity
		Fastener	F-4X	A20670003	2	
		Tags	Ø1.5 (1-10)	A20270021	2	
		Terminals	Ø1.75	A20270012	14	
		Cover	EP-3	A20270010	1	
		Bridgescore	Q10-5	A20270009	1	
8	XT1	Terminals	MTK/S	A20070023	15	
7		Signboard	Ø1.4-6mm, ID: 16mm	581180319	1	
6	EPO	Button	AS1-V1-221S/Ø24V	A29100630	1	
5	HR	Indicator	AD16-220/Ø21S	A22030992	1	
4	HC	Indicator	AD16-220/Ø21S	A22030993	1	
3	MS	Monitor	PQ-MS	B66810023	1	
2	M15	AHF	100 AHF 44L/RE	C66601128	4	Depends on the capacity
			62SP AHF 44L/RE	C66601121	1	
			62AP AHF 44L/RE	C66601112	1	
			100P AHF 44L/RE	C66601118	5	
1	MF1	MCB	T68250 TR22105-S1 8000 FF 3P	R29610168	1	1 through 6
			T68250 TR0250-2500 FF 3P	R29610113	1	
			T68250 TR22105-S1 8000 FF 3P	R29610144	1	
			NMC-300L/3300 800A	R29610035	1	
			NMC-350L/3300 350A	R29610038	1	
		NMC-330L/3300 630A	R29610033	1		

DESIGNED BY	BENNY ZENG	AHF&SVG CABINET LAYOUT & LIST	C66040122-ZP
CHECKED BY			
TECK			
STDN			
DATE	Sep/10/2014	PART NO.	C66040122
CURRENT VERSION	REV. NO.	REV. CONTENTS	DATE
TOTAL 1 SHEET 1		PROJECTION	

FRONT VIEW

LEFT SIDE VIEW

BACK VIEW



Instructions:

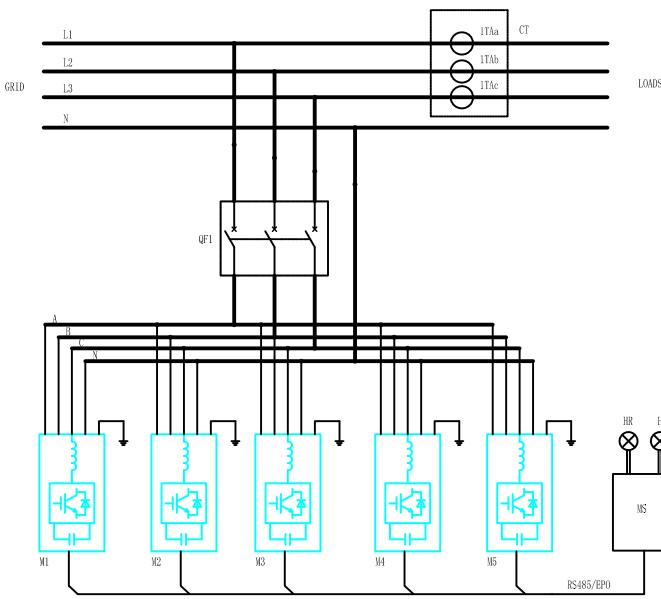
- 1, The total number can reach 4 while only installing AHF150 modules.
- 2, The total number can reach 4 while installing both AHF150 and AHF100/AHF50/AHF25 modules.
- 3, The total number can reach 4 while ONLY installing SVG100 modules.
- 4, The total number can reach 4 while both installing SVG50 and SVG100 modules.
- 5, MCCB can be installed at top or bottom of cabinet

12	15	PANEL				Optional
11	ISC	SFO	D30M-PCS-2(+1830 (Lx:320)AC)	R2904007	1	Optional
10	QF2	MCB	NM1-63/63/3	R2901039	1	Optional
9	XT2	Signboard	46.2mm*97mm	A20270030	1	Depends on the capacity
		Fastener	L=4	A20270003	2	
		Tags	WF-5 (1-10)	A20270021	2	
		Terminals	DTK3	A20270012	14	
		Cover	ED-3	A20270010	1	
		Bridgeware	QJ0-5	A20270009	1	
8	X11	Terminals	LRTK/S	A20070023	15	
7		Signboard	40*46mm, ID 4*16mm	A81140319	1	
6	FP0	Button	LAS-15-22TS/R-24V	A29010550	1	
5	IR	Indicator	AD10-220/R2S	A22020092	1	
4	IR	Indicator	AD10-220/G2IS	A22020089	1	
3	MS	Monitor	FM-MS	B66010023	1	
2	M1'S	AHF	150 AHF 44L/RE	C66001028	4	Depends on the capacity
			625P AHF 44L/RE	C66001021	1	
			650P AHF 44L/RE	C6600112	1	
			100P AHF 44L/RE	C6600118	5	
1	QF1	MCCB	T3X800 PR2110(-S1) 8800 FF 3P	R29010168	1	1 through 6
			T3X250 PR2110(-S1) 8800 FF 3P	R29010113	1	
			T3X630 PR2110(-S1) 8800 FF 3P	R29010044	1	
			NM0-800L/3300 800A	R29010035	1	
			NM0-300L/3300 250A	R29010028	1	
NM0-300L/3300 630A	R29010033	1				
NO.	SYM.	NAME	SPEC.	PART NO.	QTY.	REMARK

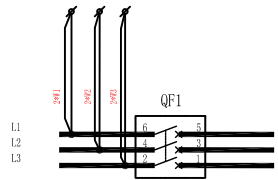
				DESIGNED BY	BENNY ZENG	AHF&SVG CABINET LAYOUT & LIST C66040122-ZP TOTAL 1 SHEET 1 PROJECTION	
				CHECKED BY			
				TECH.			
				STDN.			
				APPROVED BY		PART NO.	C66040122
A00			Sep/10/2014				
CURRENT VERSION	REV. NO.	REV. CONTENTS	DATE				

All rights reserved.

Electronic Document Name: SZSH-QW-RD-WJ123



FOR USER



XT1	CT SECONDARY SIDE	XT2
1	1	XT2-5
2	2	XT2-5
3	3	XT2-5
4	4	XT2-6
5	5	XT2-6
6	6	XT2-7
7	7	XT2-7
8	8	XT2-8
9	9	XT2-8
10	10	XT2-8
11	11	XT2-9
12	12	XT2-9
13	13	XT2-10
14	14	XT2-10
15	15	XT2-10

To external CT

XT2 Instructions:
 1. XT2-5, XT2-7, XT2-9 are connected to the terminals of M1-module(1 represented the first one)
 2. XT2-6, XT2-8, XT2-10 are connected to the terminals of Mn-module(n represented the last one which depends on the total capacity)

DESIGNED BY	BENNY ZENG
CHECKED BY	
TECK.	
STDN.	
APPROVED BY	

AHF CABINET
 ELECTRICAL PRINCIPLE

C66040122-DL
TOTAL 1 , SHEET 1
PROJECTION

A00			Sep/10/2014
CURRENT VERSION	REV. NO.	REV. CONTENTS	DATE