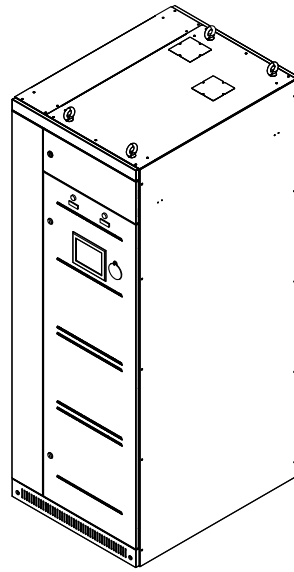
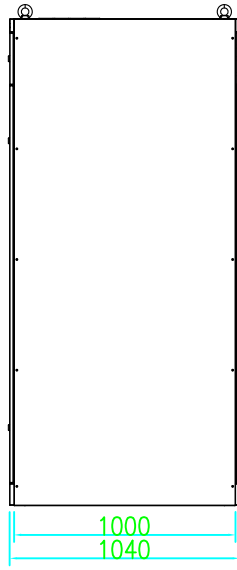
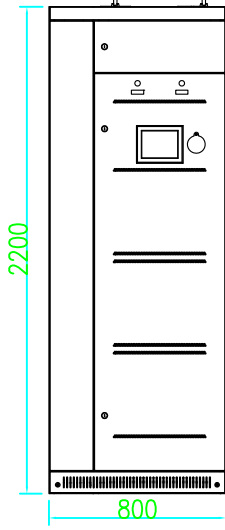
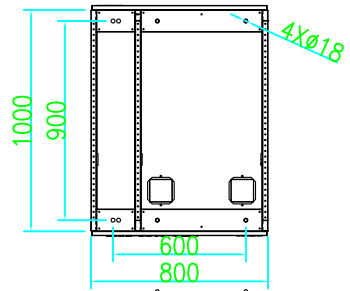


All rights reserved.

Electronic Document Name: SZSH-QW-RD-W1124



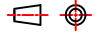
DESIGNED BY	BENNY ZENG
CHECKED BY	
TECH.	
STDN.	
APPROVED BY	

AHF CABINET  
OVERALL DIMENSION

C66040123-WX

TOTAL 1, SHEET 1

PROJECTION



A00	REV. NO.	REV. CONTENTS	DATE
CURRENT VERSION			Sep/10/2014

PART NO. C66040123

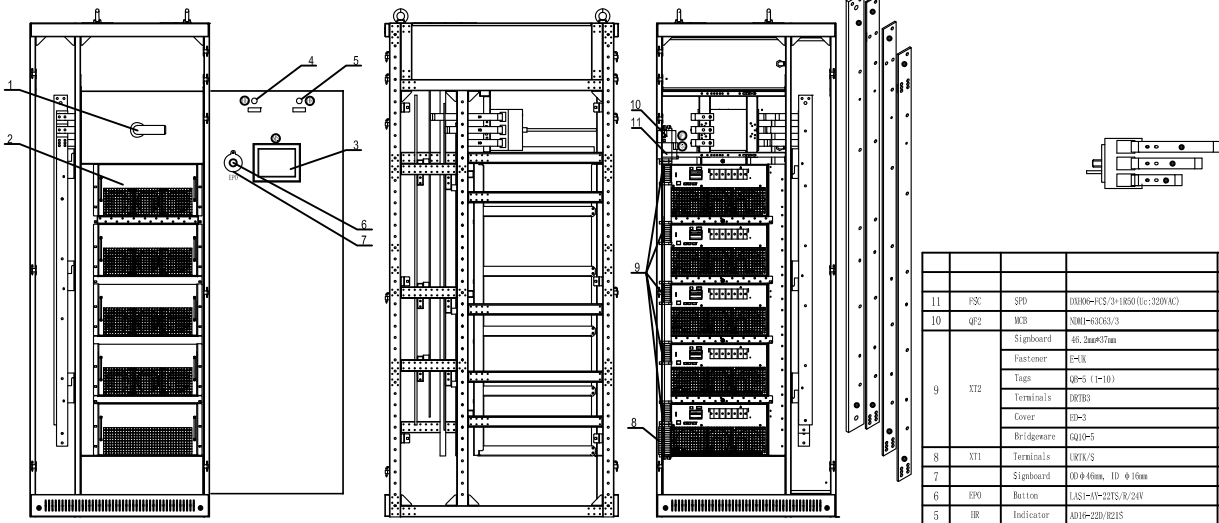
All rights reserved.

Electronic Document Name: SZSH-QM-RD-W1124

FRONT VIEW

LEFT SIDE VIEW

BACK VIEW



**Instructions:**  
 1, The total number can reach 5 while installing AHF100/AHF50/AHF25 modules.

NO.	SYM.	NAME	SPEC.	PART NO.	QTY.	REMARK
11	FS*	SPD	D006-PCS (3*1850 (Lx) 320 (W))	92904007	1	Optional
10	QF2	WCB	N011-80630-S	92901039	1	Optional
9	XT2	Signboard	46.2mm*97mm		1	depends on the capacity
		Fastener	E=U	A20270003	2	
		Tags	40*5 (1=10)	A20270021	2	
		Terminals	08763	A20270012	14	
		Cover	03=3	A20270010	1	
		Bridgewire	640=5	A20270009	1	
8	XT1	Terminals	187X/S	A20010023	15	
7		Signboard	90*46mm, 10-φ16mm	88140319	1	
6	BP0	Button	L/S1=0/22TS/R/24V	A29010090	1	
5	IR	Indicator	A016=220/021S	A22020092	1	
4	IR	Indicator	A016=220/021S	A22020089	1	
3	MS	Monitor	P9=MS	B66010023	1	
2	M1'S	AHF	150 AHF 44L/RE	C66030120	4	depends on the capacity
			025P AHF 44L/RE	C66030121	1	
			050P AHF 44L/RE	C66030112	1	
			100P AHF 44L/RE	C66030118	5	
1	QF1	WCB	TS800 PR22105-S1 8030 FF 3P	929010168	1	1 through 6
			T3250 T00250/2500 FF 3P	929010113	1	
			TS3630 PR22105-S1 8030 FF 3P	929010044	1	
			NMC-800A/3300 800A	929010035	1	
			NMC-350A/3300 350A	929010028	1	
		NMC-600A/3300 600A	929010053	1		

DESTINED BY: BENNY ZENG CHECKED BY: TECH. STDN. APPROVED BY:			<b>AHF CABINET LAYOUT &amp; LIST</b>		C66040123-ZP	
A00 CURRENT VERSION			Sep/10/2014		TOTAL 1 SHEET 1	
REV. NO.      REV. CONTENTS      DATE			PART NO.      C66040123		PROJECTION	



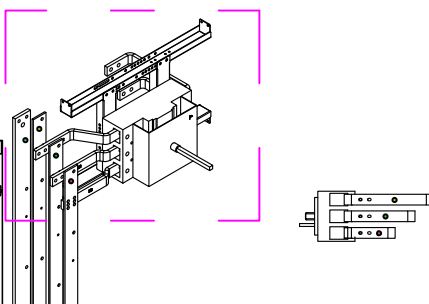
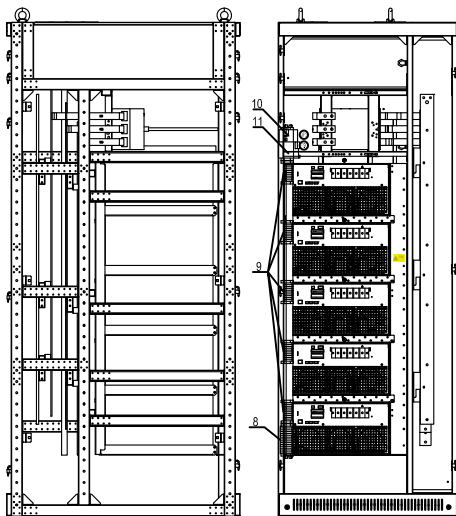
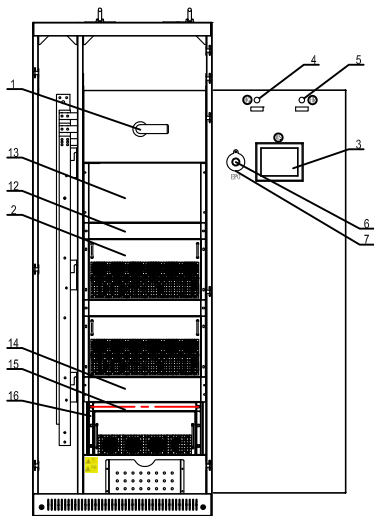
All rights reserved.

Electronic Document Name: SZSH-QW-RD-W1124

FRONT VIEW

LEFT SIDE VIEW

BACK VIEW



**Instructions:**

- 1, The total number can reach 5 while only installing AHF150 modules.
- 2, The total number can reach 5 while installing both AHF150 and AHF100/AHF50/AHF25 modules.
- 3, The total number can reach 5 while ONLY installing SVG100 modules.
- 4, The total number can reach 5 while both installing SVG50 and SVG100 modules.
- 5, MCCB can be installed at top or bottom of cabinet

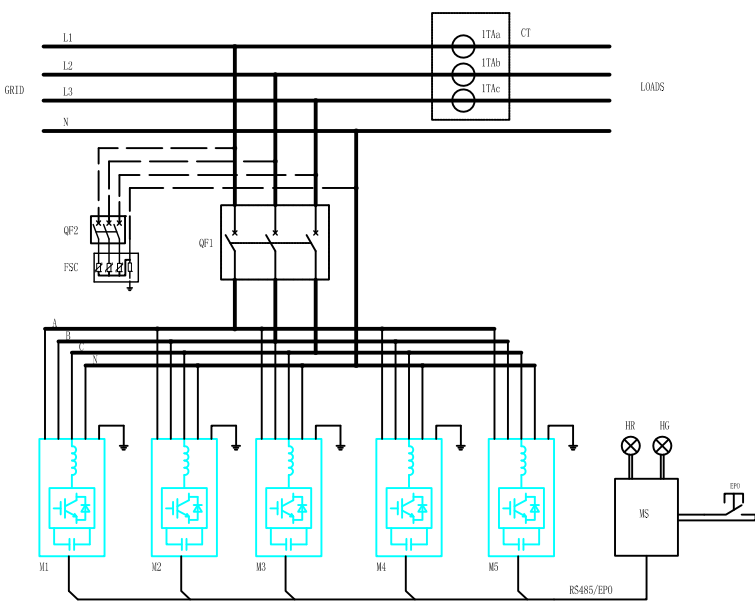
12	16	COVER & PANEL				Optional
11	FSC	SPD	FXB06=CS(3+1B50(1c:320VAC)	K29040007	1	Optional
10	QF2	MEB	SMI=CS(3/2)	K29010139	1	Optional
9	XT2	Signboard	HS-2wp97mm	A20270003	1	Depends on the capacity
		Fastener	T=4K	A20270003	2	
		Tags	4B=5 (1=10)	A20270021	2	
		Terminals	HT1R3	A20270012	14	
		Cover	ET=1	A20270010	1	
		Bridgeware	GM0=5	A20270009	1	
8	XT1	Terminals	HTK.S	A20070023	15	
7		Signboard	4B-φ46mm, 1D-φ16mm	A81140319	1	
6	EPO	Button	LA51=1=22(5/8/24)	A29010050	1	
5	HR	Indicator	AD16=220/9215	A29020092	1	
4	HE	Indicator	AD16=220/6215	A29020089	1	
3	MS	Monitor	PV=RS	B66010023	1	
2	M'S	AHF	150 AHF 54L/9E	C66030128	4	Depends on the capacity
			125P AHF 44L/9E	C66030121	1	
			80P AHF 44L/9E	C66030112	1	
			100P AHF 44L/9E	C66030118	5	
1	QF1	MCCB	T63800 PZ221185=4SI 8800 FF 3P	K29010168	1	1 through 6
			T32850 T60250=2500 FF 3P	K29010113	1	
			T63850 PZ221185=4SI 8830 FF 3P	K29010044	1	
			S30L=800L/3300 800A	K29010035	1	
			S30L=250L/3300 250A	K29010028	1	
			S30L=630L/3300 630A	K29010033	1	

NO.	SYM.	NAME	SPEC.	PART NO.	QTY.	REMARK
AHF&SVG CABINET LAYOUT & LIST				C66040123-ZP		
				TOTAL 1 SHEET 1		
				PART NO.	C66040123	
				PROJECTION		

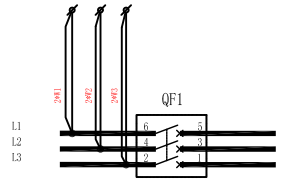
				DESIGNED BY	BENNY ZENG
				CHECKED BY	
				TECHK.	
				STDN.	
				APPROVED BY	
	ADD				Sep/16/2014
	CURRENT VERSTON	REV. NO.	REV. CONTENTS	DATE	

All rights reserved.

Electronic Document Name: SZSH-QW-RD-W1124



FOR USER



XT1 CT SECONDARY SIDE		XT2	
TTAa:S1	1	1	XT2-5
TTAb:S1	2	2	XT2-6
TTAc:S1	3	3	XT2-7
TTAa:S2	4	4	XT2-8
TTAb:S2	5	5	XT2-9
TTAc:S2	6	6	XT2-10
TTAa:S3	7	7	XT2-11
TTAb:S3	8	8	XT2-12
TTAc:S3	9	9	XT2-13
TTAa:S4	10	10	XT2-14
TTAb:S4	11	11	XT2-15
TTAc:S4	12	12	XT2-16
TTAa:S5	13	13	XT2-17
TTAb:S5	14	14	XT2-18
TTAc:S5	15	15	XT2-19

To external CT

- XT2 Instructions:
- XT2-5, XT2-7, XT2-9 are connected to the terminals of M1-module (1 represented the first one)
  - XT2-6, XT2-8, XT2-10 are connected to the terminals of Mn-module (n represented the last one which depends on the total capacity)

DESIGNED BY	BENNY ZENG
CHECKED BY	
TECH.	
STDN.	
APPROVED BY	

AHF CABINET  
ELECTRICAL PRINCIPLE

C66040123-DL
TOTAL 1 SHEET 1
PROJECTION

A00			Sep/10/2014
CURRENT VERSION	REV. NO.	REV. CONTENTS	DATE

