

*Datasheet of
FT232RL USB RS485 Converter Cable*

Model No.: SN-068540-1800

Cable Length: 1800mm

Chipset: FT232RL+SP485

Customer product code: 64090354

*Description: INV, RS485 to USB Converter,
T485-LSLV*

Product Picture:



By Shenzhen Sinforcon Electronics Ltd

Tel: 86-755-85236100 Fax: +86-755-82893356

Homepage: <http://www.sinforcon.com>

PART I INTRODUCTION:

Sinforcon USB RS485 cable integrated FT232RL + SP485 chip. It offers a convenient and smallest solution to USB RS485 application. It offers a USB – RS485 half duplex communications channel. The drivers support Windows 7, XP/2000/98, Linux, etc. At present, LED version is also available for indicating power and data transferring. The USB A male molding could be transparent or transparent black.

1.1 Cables features

The cable offers VCC(5v@100mA) from USB directly, GND, Data+(A), Data-(B), half-duplex, non-isolated, support 5km distance data transferring.

Features:

- USB2.0 compatible
- 1Mbps transferring speed
- Support auto-hands-shaking protocol
- USB powered, no external power required
- Support Windows95/98/2000/XP/CE/LINUX,etc
- FT232RL + SP485 chip
- Half-duplex, non-isolated
- Support Win 7, Win 8, Android, Mac, Linux, Win CE, etc.
- RoHS, CE compliance certificated.

1.2 Available cables:

USBRS485-wire end, 4 core



USB RS485 to RJ11, RJ12, RJ45, etc



USB RS485 –XLR 5P, 3P, etc



USB RS485 – audio jack



USB RS485 – RJ45, shielded cable

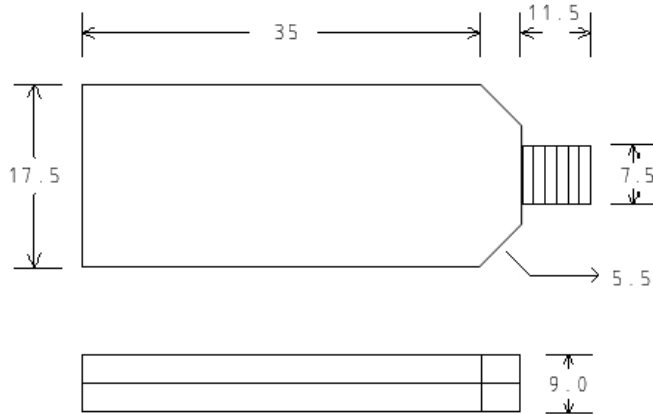


USB RS485 converters

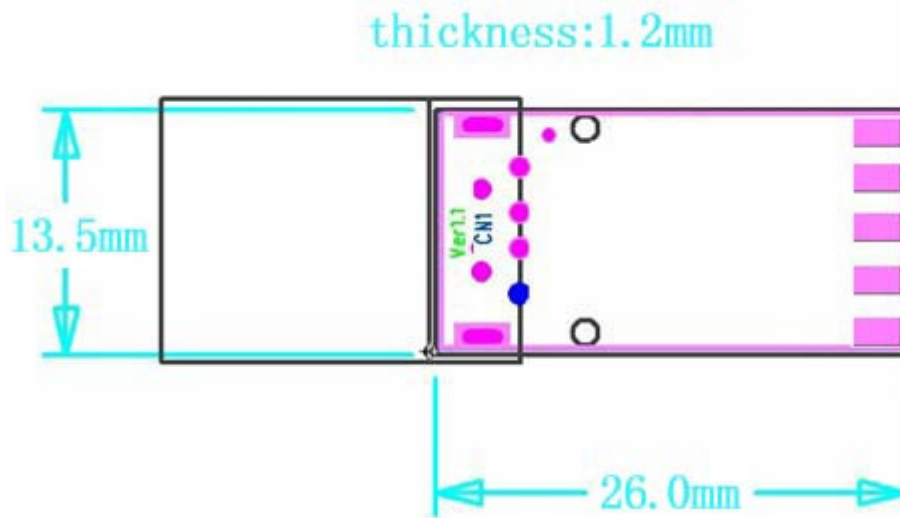


We also accept customized connectors.

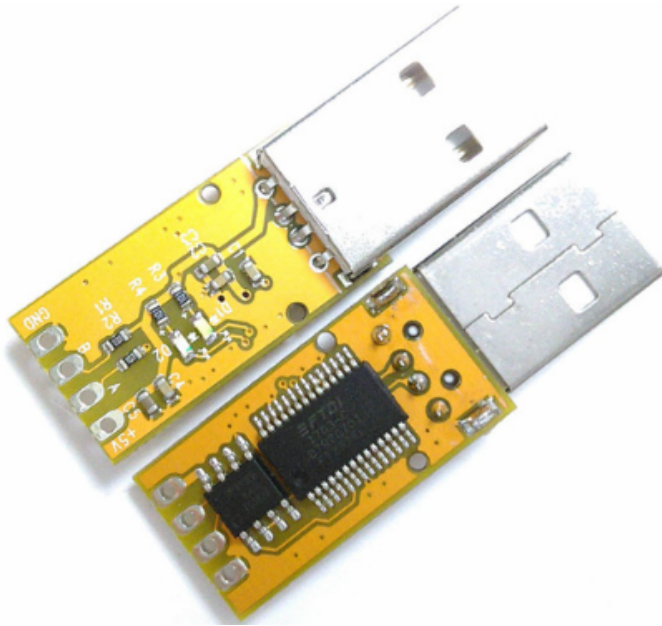
1.3 USB AM dimension:



1.4. Board size:



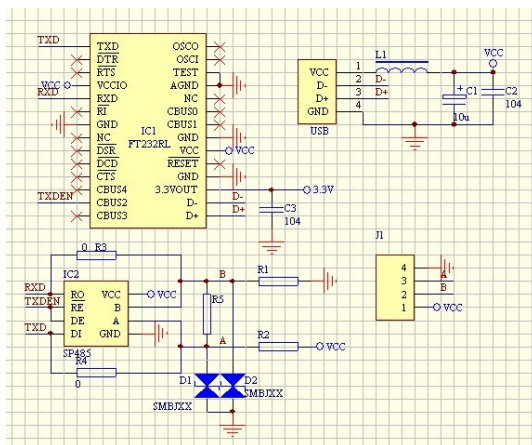
1.5 PCBA Overview:



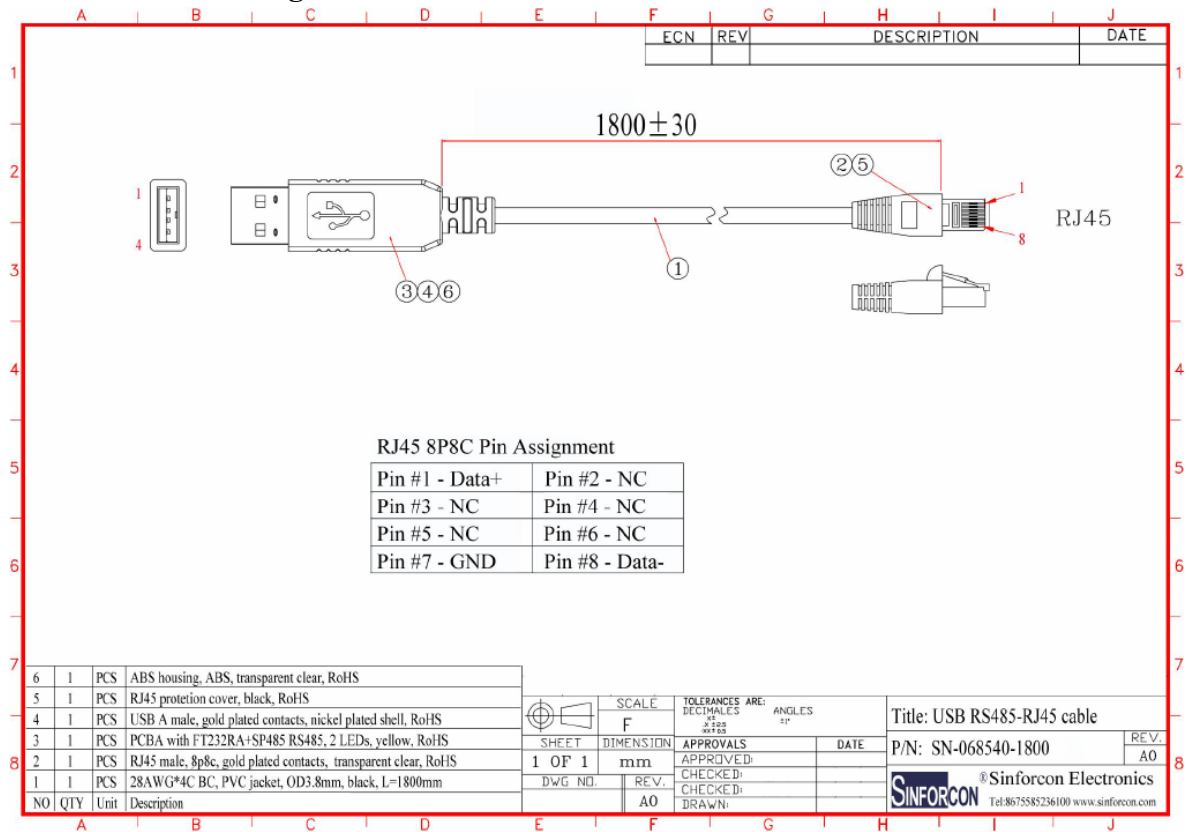
1.6 Transparent housing and transparent RJ45 connector



1.7 Board Diagram



1.8 Cable Drawing



1.9 Label Info

Put a label on the USB housing, label info as following:

USB to RS485 + production date, black character on white background



1.10 packing Info

A. Each cable packed in a polybag package as below, then in a white box. Put a label on the white box, Label size: 24.5 x 59.5mm



B. 200 or 250pcs in a carton like as below, carton will be no any marks and labels.



C. Put a user manual in each carton.

USER MANUAL

USB to RS232 Converter

- Model No.: SN-062345-1800
- Cable length: 1800mm
- Chipset: PL2303TA+ZT232
- Features:
 - USB 2.0 standard, Non-isolated,
 - Support Windows 7/8/8.1/10/
 - Linux/Win CE
- RJ45 Pin Assignment

Pin No.1 - NC	Pin No.2 - NC
Pin No.3 - RXD	Pin No.4 - TXD
Pin No.5 - NC	Pin No.6 - NC
Pin No.7 - GND	Pin No.8 - NC

USB to RS485 Converter

- Model No.: SN-068540-1800
- Cable length: 1800mm
- Chipset: FT232RL+SP485
- Features:
 - USB 2.0 standard, Non-isolated,
 - Support Windows 7/8/8.1/10/
 - Linux/Win CE
- RJ45 Pin Assignment

Pin No.1 - Data+	Pin No.2 - NC
Pin No.3 - NC	Pin No.4 - NC
Pin No.5 - NC	Pin No.6 - NC
Pin No.7 - GND	Pin No.8 - Data-

Driver download link:

1. USB to RS232 Converter
http://www.prolific.com.tw/UserFiles/files/PL2303_Prolific_DriverInstaller_v1200.zip
2. USB to RS485 Converter
https://www.ftdichip.com/Drivers/CDM/CDM21228_Setup.zip

Manufacturer: SHENZHEN SINFORCON ELECTRONICS LIMITED

Address: 204, 1st Building, Minle Industrial Park, Longhua, Shenzhen 518131, CHINA

Tel: +86-755-85236100

Fax: +86-755-82893356

E-mail: sales3@sinforcon.com

Website: www.sinforcon.com

After-sales service:

E-mail: sales@sinforcon.com

Warranty Period

The product warranty covers product malfunctions under normal operating conditions for 12 months from the date of installation.

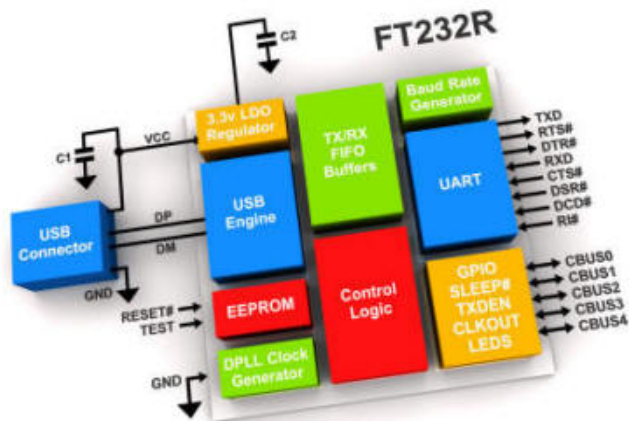
Warranty Service Information

During the product warranty period, warranty service is provided for product malfunctions caused under normal operating conditions. For warranty service, please contact the service agent.

D. Put cartons on the wooden pallet like as below.



PART II. About FT232

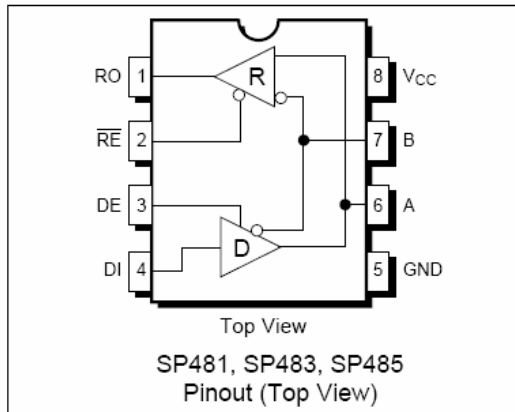


The FT232R is the latest device to be added to FTDI's range of USB UART interface Integrated Circuit Devices. The FT232R is a USB to serial UART interface with optional clock generator output, and the new FTDIChip-ID™ security dongle feature. In addition, asynchronous and synchronous bit bang interface modes are available. USB to serial designs using the FT232R have been further simplified by fully integrating the external EEPROM, clock circuit and USB resistors onto the device.

The FT232R adds two new functions compared with its predecessors, effectively making it a "3-in-1" chip for some application areas. The internally generated clock (6MHz, 12MHz, 24MHz, and 48MHz) can be brought out of the device and used to drive a microcontroller or external logic. A unique number (the FTDIChip-ID™) is burnt into the device during manufacture and is readable over USB, thus forming the basis of a security dongle which can be used to protect customer application software from being copied.

PART III About SP485LEEN

The SP485 is the family of the half-duplex transceiver that meet the requirements of RS485 and RS422. Their BiCOMS design allows low power operation without sacrificing performance. SP485 meet the requirement of RS-485 and RS422 up to 5Mbps.



Part IV Driver Installation

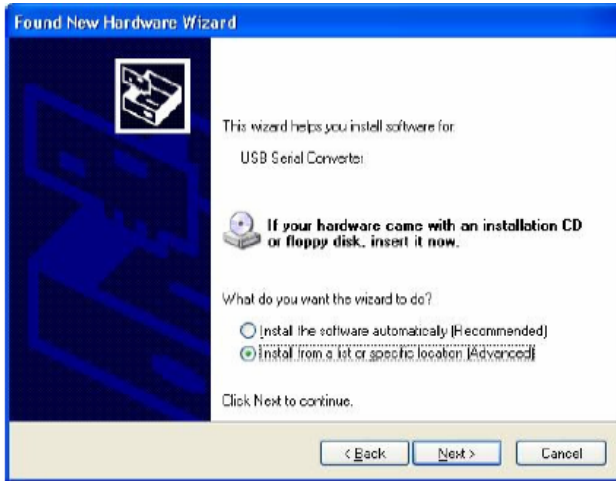
Driver support

- ✧ Windows 98/98SE, ME, 2000, SEVER2003, XP and server 2008
- ✧ Windows 7 32, 64-bit
- ✧ Windows XP and XP 64-bit
- ✧ Windows Vista and Vista 64-bit
- ✧ Windows CE 4.2, 5.0 and 6.0
- ✧ Mac OS 8/9, OS-X
- ✧ Linux 2.4 and greater

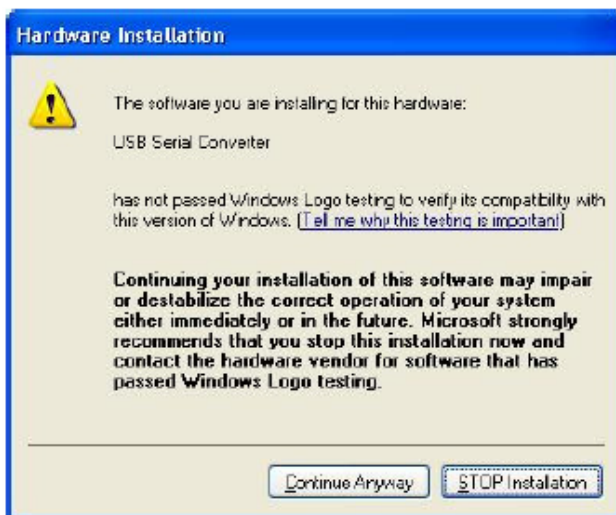
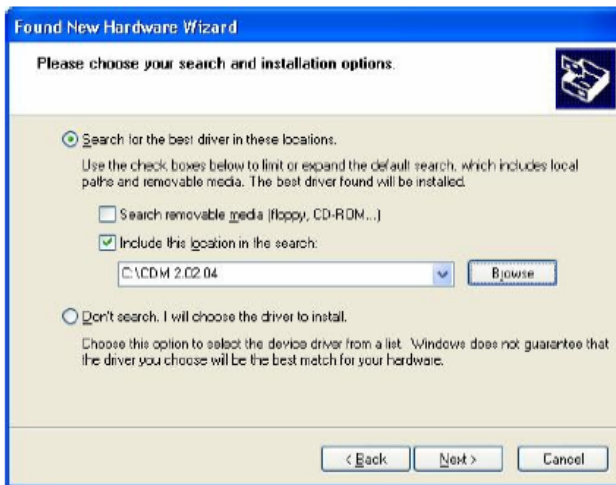
3.1 Found new hard ware



3.2 System requires installing new drivers



3.3. Enter the path of the drivers



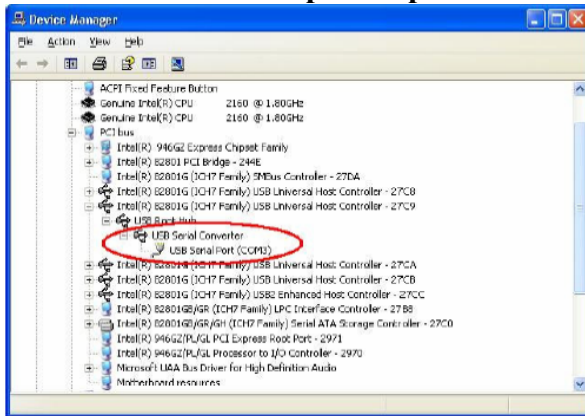
3.4. Installing drivers

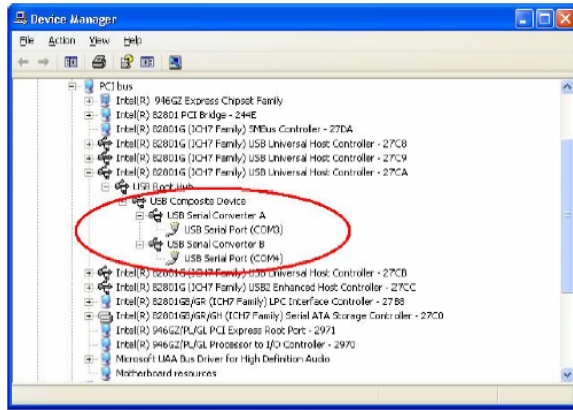


3.5. Installing completed



3.6 Found USB Serial port in port list.





Driver Guide link:

<http://www.sinforcon.com>

The information is offered by Shenzhen Sinforcon Electronics Ltd, right reserved. For any inquiry or advise, please contact:

Tel: +86-755-85236100 Fax: +86-755-82893356

Email: sales@sinforcon.com