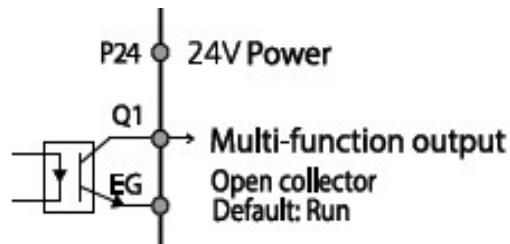


S100

PNP use of Q1



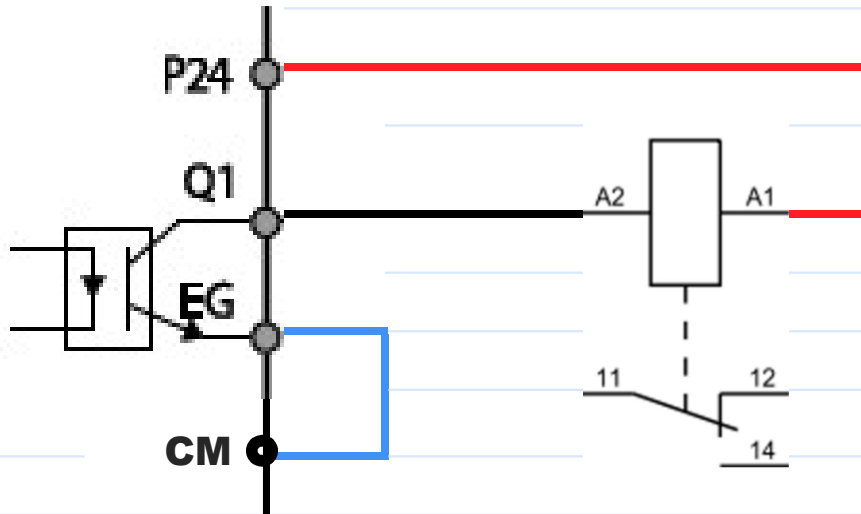
OUT

33 Q1 Define

Run

S100:

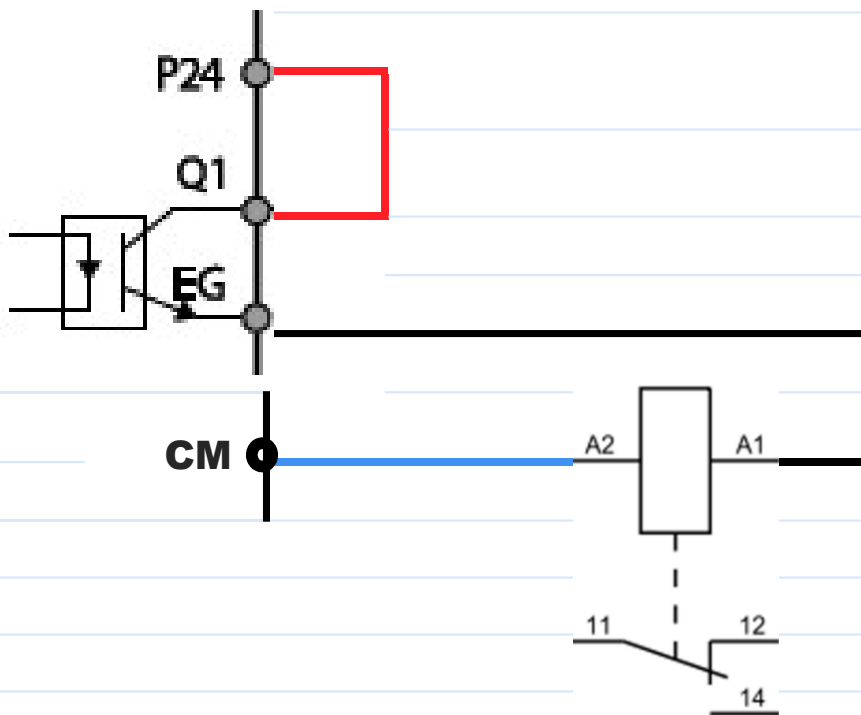
RELAY:



Or

S100:

RELAY:



S100:

PLC:

