

The right choice for the ultimate yield!

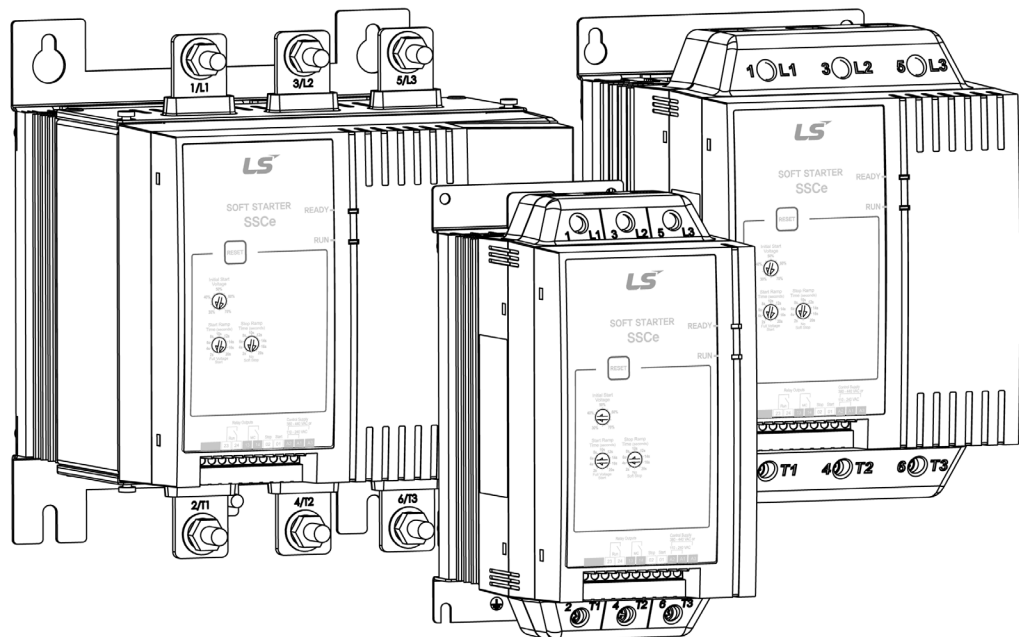
LS ELECTRIC strives to maximize your profits in gratitude for choosing us as your partner.

Soft Starter

LSLV-SSCe series

User's Manual

18~200A [200~575Vac]



Safety Instructions

- Read this manual carefully before installing, wiring, operating, servicing or inspecting this equipment.
- Keep this manual within easy reach for quick reference.

LS ELECTRIC

Contents

1	Caution Statements.....	2
2	Mechanical Installation	4
3	Electrical Installation.....	6
4	Adjustments	9
5	Troubleshooting	10
6	Accessories	11
7	Specifications	12

1 Caution Statements

Caution Statements cannot cover every potential cause of equipment damage but can highlight common causes of damage. It is the installer's responsibility to read and understand all instructions in this manual prior to installing, operating or maintaining the equipment, to follow good electrical practice including applying appropriate personal protective equipment and to seek advice before operating this equipment in a manner other than as described in this manual.

- Isolate the soft starter completely from the power supply before attempting any work on the soft starter or motor.
- Cables to the control inputs must be segregated from mains voltage and motor cabling.
- Some electronic contactor coils are not suitable for direct switching with PCB mount relays. Consult the contactor manufacturer/supplier to confirm suitability.
- Do not apply incorrect voltages to the control input terminals.



CAUTION

Power factor correction capacitors must be connected to the input side of the soft starter. Connecting power factor correction capacitors to the output side will damage the soft starter.



WARNING – ELECTRICAL SHOCK HAZARD

The soft starter contains dangerous voltages when connected to mains voltage. Only a qualified electrician should carry out the electrical installation. Improper installation of the motor or the soft starter may cause equipment failure, serious injury or death. Follow this manual and local electrical safety codes.



GROUNDING AND BRANCH CIRCUIT PROTECTION

It is the responsibility of the user or person installing the soft starter to provide proper grounding and branch circuit protection according to local electrical safety codes.



SHORT CIRCUIT

The soft starter is not short circuit proof. After severe overload or short circuit, the operation of the soft starter should be fully tested by an authorised service agent.

1.1 Avertissements à l'attention des clients canadiens



AVERTISSEMENT

L'icône AVERTISSEMENT ci-contre signale les informations concernant des risques pouvant entraîner des blessures graves, voire mortelles. Pour votre sécurité, veuillez consulter les avertissements sur cette page ou demander une copie du présent manuel en français auprès de votre distributeur local.



AVERTISSEMENT

Isoler complètement le démarreur progressif de l'alimentation secteur avant de tenter toute intervention sur le démarreur progressif ou sur le moteur. Les bornes de commande peuvent être au potentiel de la tension de phase.



AVERTISSEMENT - DANGER D'ÉLECTROCUTION

Le démarreur progressif contient des tensions dangereuses lorsqu'il est raccordé à l'alimentation secteur. Seul un électricien compétent peut effectuer l'installation électrique. Une mauvaise installation du moteur ou du démarreur progressif peut déclencher une panne d'équipement, provoquer de graves blessures ou même la mort. Suivre les instructions de ce manuel et des codes locaux concernant la sécurité électrique.

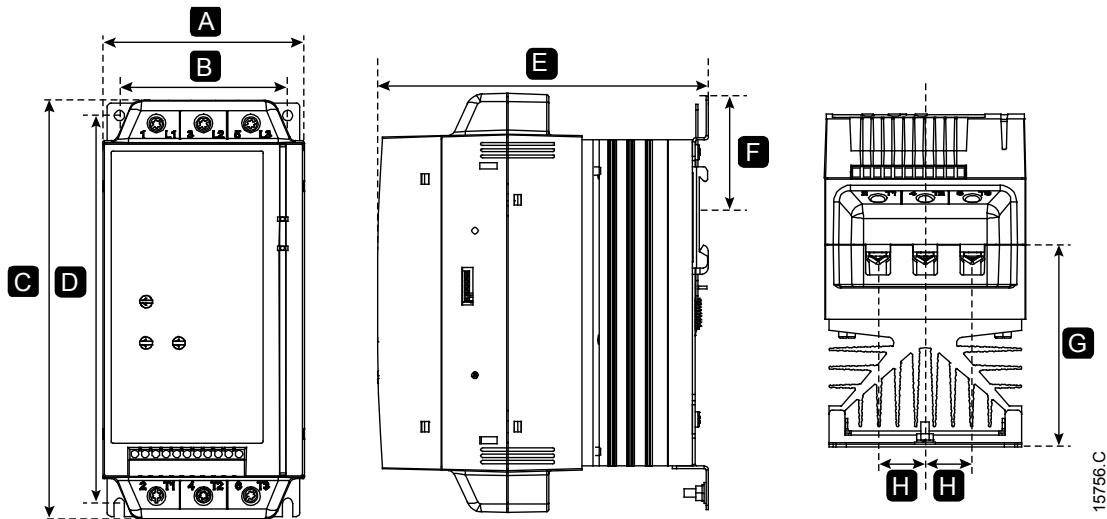


AVERTISSEMENT

Toujours appliquer la tension de commande avant (ou en même temps que) la tension secteur.

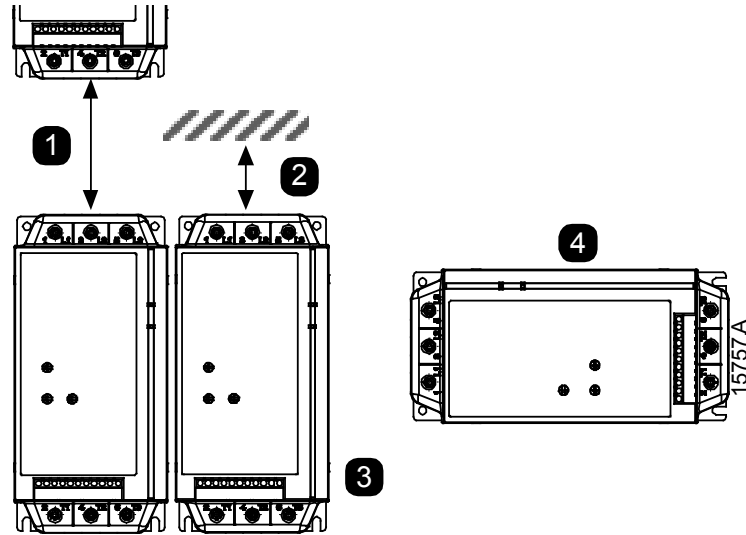
2 Mechanical Installation

2.1 Dimensions and Weights



Model	Width mm (inch)		Height mm (inch)		Depth mm (inch)	mm (inch)	mm (inch)	mm (inch)	Weight kg (lb)
	A	B	C	D	E	F	G	H	
018									
034									
042	98	82	201	188	165	55	90.5	23	2.1
048	(3.85)	(3.22)	(7.91)	(7.40)	(6.49)	(2.16)	(3.6)	(0.9)	(4.6)
060									
075									
085	145	124	215	196	193	-	110.5	37	3.8
100	(5.70)	(4.88)	(8.46)	(7.71)	(7.59)		(4.4)	(1.5)	(8.4)
140									
170	200	160	240	216	214	-	114.5	51	6.1
200	(7.87)	(6.30)	(9.44)	(8.50)	(8.43)		(4.5)	(2.0)	(13.5)

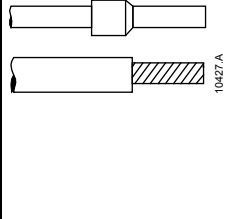
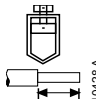
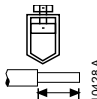
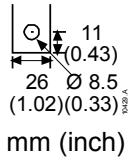
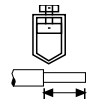
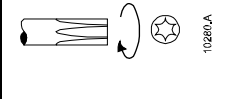
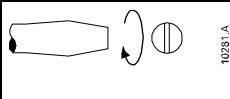
2.2 Physical Installation



1	018 ~ 100: Allow 100 mm (3.9 inch) between soft starters. 140 ~ 200: Allow 200 mm (7.9 inch) between soft starters.
2	018 ~ 100: Allow 50 mm (2.0 inch) between the soft starter and solid surfaces. 140 ~ 200: Allow 200 mm (7.9 inch) between the soft starter and solid surfaces.
3	Soft starters may be mounted side by side with no clearance (that is, if mounted without communications modules).
4	The soft starter may be mounted on its side. Derate the soft starter's rated current by 15%.

3 Electrical Installation

3.1 Power Terminations

	1/L1, 3/L2, 5/L3, 2/T1, 4/T2, 6/T3 mm ² (AWG)			A1, A2, A3, 01, 02, 13, 14, 23, 24 mm ² (AWG)	
	018 - 060	075 - 100	140 - 200	018 - 200	
	10 - 35 (8 - 2)  14 mm (0.55 inch)	25 - 50 (4 - 1/10)  14 mm (0.55 inch)	N.A.  11 (0.43) 26 Ø 8.5 (1.02)(0.33) mm (inch)	0.14 - 1.5 (26 - 16)  6 mm (0.24 inch)	
	Torx (T20) 3 Nm 2.2 ft-lb	Torx (T20) 4 Nm 2.9 ft-lb	n/a		n/a
	7 mm 3 Nm 2.2 ft-lb	7 mm 4 Nm 2.9 ft-lb	n/a		3.5 mm 0.5 Nm max 4.4 in-lb max

3.2 Control Voltage

Connect the control supply according to the supply voltage being used.

- xxx-xx-C1 (110~240 VAC): A1, A2
- xxx-xx-C1 (380-440 VAC): A2, A3
- xxx-xx-C2 (24 VAC/VDC): A1, A2



WARNING

Always apply control voltage before (or with) mains voltage.



CAUTION

With 24 VAC/VDC use contacts rated for low voltage and low current (gold flash or similar).

3.3 Control Circuits



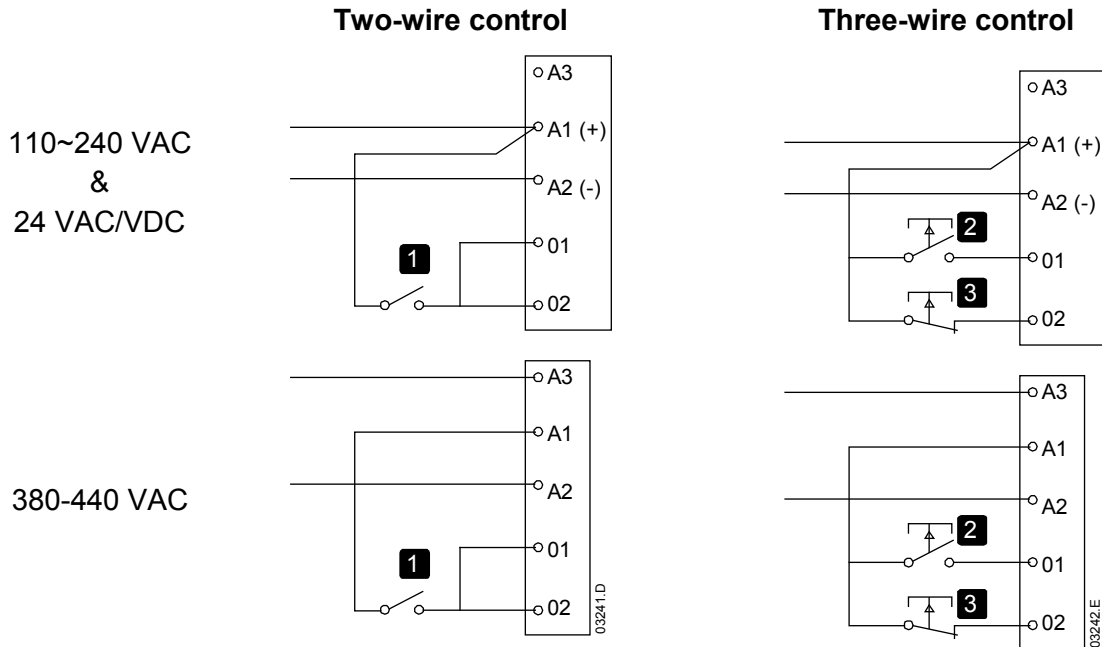
WARNING

Isolate the soft starter completely from the power supply before attempting any work on the soft starter or motor. Control terminals may be at phase voltage potential.



CAUTION

For xxx-xx-C2 (24 VAC/VDC control voltage) units you can connect an external 24 VDC supply into the control input terminals 01, 02.



1	Start/Stop. To reset a trip, open then close 02.
2	Start.
3	Stop. To reset a trip, open then close 02.

3.4 Outputs

Main Contactor Output

The Main Contactor output (terminals 13, 14) closes as soon as the soft starter receives a start command and remains closed while the soft starter is controlling the motor (until the motor starts a coast to stop, or until the end of a soft stop). The Main Contactor output will also open if the soft starter trips.

The Main Contactor output can be used to directly control a main contactor coil.

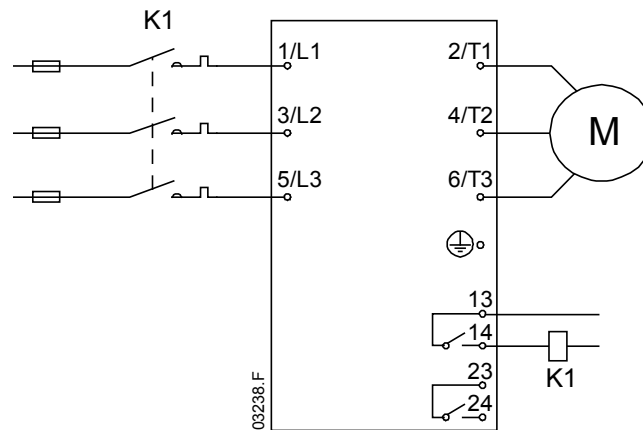
Run Output

The run output relay (terminals 23, 24) can be used to signal run status. This relay is normally open.

The relay operates when the soft start is complete, the bypass relays are closed and full voltage is being applied to the motor. The relay can be used to operate a contactor for power factor correction capacitors, or to signal soft starter run status to an automation system.

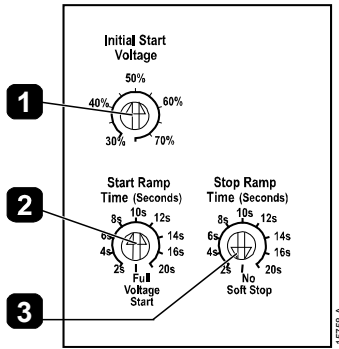
3.5 Electrical Schematics

Soft starter installed with fuses, a main contactor and overload protection.


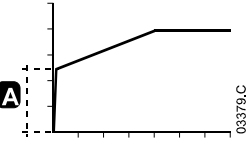
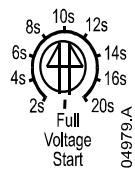
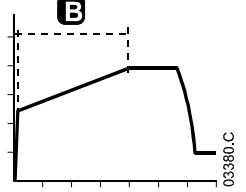
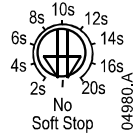
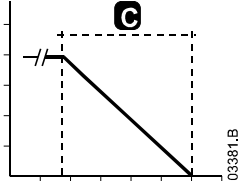


M	Motor (three phase)
K1	Main contactor
13, 14	Main contactor output
23, 24	Run contactor output

4 Adjustments

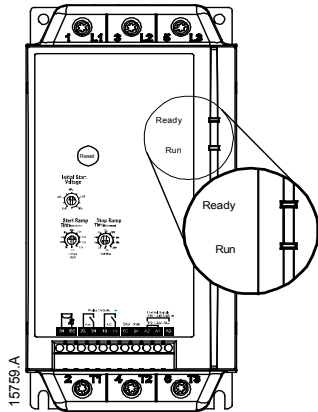


1	Initial Start Voltage
2	Start Ramp Time
3	Stop Ramp Time

1	<p>Initial Start Voltage</p>  <p>Select the initial start voltage (A).</p> <table border="1"> <thead> <tr> <th>Application</th> <th>Initial Start Voltage - Suggested setting</th> </tr> </thead> <tbody> <tr> <td>Centrifugal Pump</td> <td>50%</td> </tr> <tr> <td>Submersible Pump</td> <td>60%</td> </tr> <tr> <td>Screw Compressor</td> <td rowspan="4">70%</td> </tr> <tr> <td>Conveyor</td> </tr> <tr> <td>Crusher</td> </tr> <tr> <td>Fan</td> </tr> <tr> <td>Other applications</td> <td></td> </tr> </tbody> </table> 	Application	Initial Start Voltage - Suggested setting	Centrifugal Pump	50%	Submersible Pump	60%	Screw Compressor	70%	Conveyor	Crusher	Fan	Other applications	
Application	Initial Start Voltage - Suggested setting													
Centrifugal Pump	50%													
Submersible Pump	60%													
Screw Compressor	70%													
Conveyor														
Crusher														
Fan														
Other applications														
2	<p>Start Ramp Time</p>  <p>Select the start ramp time (B).</p> <p>The start ramp defines how long the soft starter will take to increase voltage from the initial start voltage to full voltage.</p> <p>The start ramp time does not control the time the motor will take to reach full speed.</p> <ol style="list-style-type: none"> Set the start ramp time to 20 seconds. Set the initial start voltage as required for the application. Attach a current monitoring device to output T1. Start the motor under normal load conditions. Record the time required for the measured current to fall to (or below) the motor's rated full load current (t_i) then stop the motor. Set start ramp time = t_i. <p>NOTE The start ramp time must be long enough for the motor to reach full speed before the soft starter enters bypass mode.</p> 													
3	<p>Stop Ramp Time</p>  <p>Select the soft stop ramp time (C).</p> <p>Soft stop extends the time soft starter takes to reduce voltage to zero.</p> <p>The ramp time does not control the time the motor will take to stop completely.</p> 													

5 Troubleshooting





5.1 Feedback LEDs



LED Status	Ready	Run
Off	No control power	Motor not running
On	Ready	Motor running at full speed
Flash	Starter tripped	Motor starting or stopping

5.2 Trip Codes

The Ready LED will flash a different number of times to indicate the cause of the trip.

Ready LED	Description
 x 1	Power Circuit: Check mains supply (L1, L2, L3), motor circuit (T1, T2, T3), soft starter SCRs and bypass relays.
 x 6	Supply Frequency: Check mains voltage is available and supply frequency is in range.
 x 8	Network Communication Failure (between module and network): Check network connections, settings and configuration.
 x 9	Starter Communication Failure (between starter and module): Remove and refit accessory module.

5.3 Supply Frequency Protection

The soft starter will trip on supply frequency if the frequency rises above 72 Hz or falls below 40 Hz for more than five seconds while the soft starter is running. These trip points are not adjustable.

In pre-start, starting and stopping modes the high and low frequency limits both apply with no time delay.

A supply frequency trip will also occur if:

- all three input phases are lost while the soft starter is running
- all three input phases fall below 120 VAC at start or while the soft starter is running
- the line contactor opens while running

5.4 Reset

Trips can be cleared by pressing the Reset button on the soft starter, sending a Reset command from the serial communications network, or by switching the control inputs.

To clear a trip via the control inputs, the soft starter requires a closed to open transition on the stop input (O2).

- In three-wire control, use the external stop button to momentarily open the stop input (open A1-O2).
- In two-wire control, if the soft starter tripped with a start signal present, remove the start signal (open A1 to O1, O2).

The Reset button is located on the front of the unit, above the adjustment switches.

The soft starter will trip again immediately if the cause of the trip still exists.

6 Accessories

6.1 Finger Guard Kit

Finger guards may be specified for personnel safety. Finger guards fit over the soft starter terminals to prevent accidental contact with live terminals. Finger guards provide IP20 protection when used with cable of diameter 22 mm or greater.

6.2 Remote Operator

The Remote Operator can control and monitor the soft starter's performance. Functionality includes:

- Operational control (Start, Stop, Reset, Quick stop)
- Starter status monitoring (Ready, Starting, Running, Stopping, Tripped)
- Trip code display

6.3 Communication Interfaces

The soft starters support network communication via easy-to-install communications interfaces. Each soft starter can support one communications interface at a time.

Available protocols:

Ethernet (Profinet, Modbus TCP, Ethernet/IP), Profibus, DeviceNet, Modbus RTU, and USB.

**NOTE**

Ethernet communication modules are not suitable for use with soft starters using 380/440 VAC control voltage.

6.4 PC Software

The software allows comprehensive management of soft starters. It provides the following functionality:

- Operation of soft starter networks containing up to 254 individual soft starters
- Operational control (Start, Stop, Reset, Quick stop)
- Starter status monitoring (Ready, Starting, Running, Stopping, Tripped)

To use the software with the soft starter, the soft starter must be fitted with a USB Module, Modbus Module or a Remote Operator.

7 Specifications

7.1 General Technical Data

Mains Supply

Mains voltage (L1, L2, L3)	
V4	3 x 200 VAC ~ 440 VAC (+ 10% / - 15%)
V6	3 x 200 VAC ~ 575 VAC (+ 10% / - 15%)
Mains frequency (at start)	45 Hz to 66 Hz
Rated insulation voltage	600 VAC
Form designation	Bypassed semiconductor motor starter form 1

Control voltage (01, 02)

xxx-xx-C1	110-240 VAC (+ 10% / - 15%)
.....	or 380-440 VAC (+ 10% / - 15%)
xxx-xx-C2	24 VAC/VDC (\pm 20%)
Current consumption (during run)	< 100 mA
Current consumption (inrush)	
xxx-xx-C1	10 A
xxx-xx-C2	2 A

Inputs

Start (terminal 01)	Normally open
.....	150 k Ω @ 300 VAC and 5.6 k Ω @ 24 VAC/VDC
Stop (terminal 02)	Normally closed
.....	150 k Ω @ 300 VAC and 5.6 k Ω @ 24 VAC/VDC

Outputs

Main contactor (terminals 13, 14)	Normally open
.....	6 A, 30 VDC / 6 A, 250 VAC resistive
Run relay (terminals 23, 24)	Normally open
.....	6 A, 30 VDC / 6 A, 250 VAC resistive

Environmental

Degree of Protection 018 to 100	IP20
Degree of Protection 140 to 200	IP00
Operating temperature	- 10 °C to + 60 °C
Storage temperature	-25 °C~+ 60 °C (to +70 °C for less than 24 hours)
Humidity	5%~95% Relative Humidity
Pollution degree	Pollution Degree 3
Vibration	IEC 60068 Test Fc Sinusoidal
.....	4 Hz to 13.2 Hz: \pm 1 mm displacement
.....	13.2 Hz to 200 Hz: \pm 0.7 g

EMC Emission

Equipment class (EMC)	Class B
Conducted radio frequency emission	0.15 MHz to 0.5 MHz: < 56-46 dB (μ V)
.....	0.5 MHz to 5 MHz: < 46 dB (μ V)
.....	5 MHz to 30 MHz: < 50 dB (μ V)
Radiated radio frequency emission	30 MHz to 230 MHz: < 30 dB (μ V/m)
.....	230 MHz to 1000 MHz: < 37 dB (μ V/m)

EMC Immunity

Electrostatic discharge	4 kV contact discharge, 8 kV air discharge
Radio frequency electromagnetic field	0.15 MHz to 1000 MHz: 140 dB (μ V)
Rated impulse withstand voltage (Fast transients 5/50 ns)	2 kV line to earth, 1 kV line to line
Voltage dip and short time interruption	100 ms (at 40% nominal voltage)
Harmonics and distortion	IEC61000-2-4 (Class 3), EN/IEC61800-3

Short Circuit

Rated short-circuit current 018 to 048	5 kA ¹
Rated short-circuit current 060 to 200	10 kA ¹

¹ These short circuit ratings are with fuses used as given in the table under *Semiconductor Fuses* on page 15.

Heat Dissipation

During Start	3 watts / ampere
During Run	10 watts typical

Operational Life

018~100	1,000,000 operations
140~200	30,000 operations

Certification

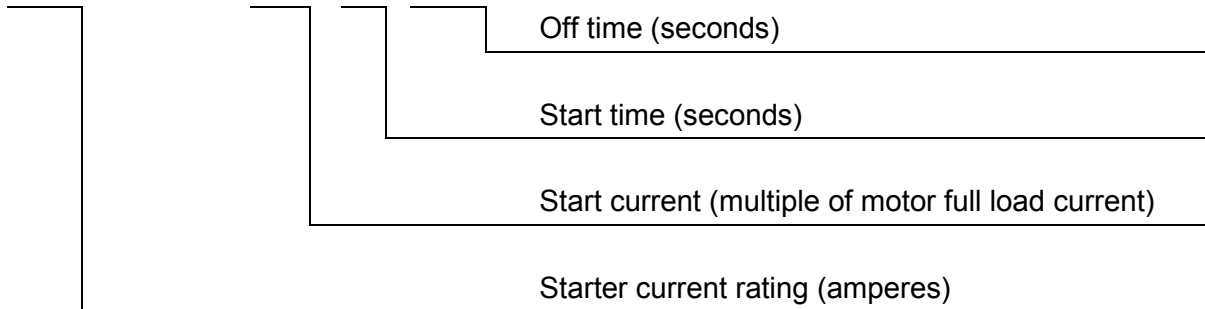
For a list of certifications, refer to the inside cover of this manual.

7.2 Current Ratings

Contact your local supplier for ratings under operating conditions not covered by these ratings charts.

AC53b format

80 A : AC-53b 3.5 - 15 : 345



Ratings

	AC53b 4-6:354 < 1000 metres		AC53b 4-20:340 < 1000 metres	
	40 °C	50 °C	40 °C	50 °C
018	18 A	17 A	17 A	15 A
034	34 A	32 A	30 A	28 A
042	42 A	40 A	36 A	33 A
048	48 A	44 A	40 A	36 A
060	60 A	55 A	49 A	45 A
	AC53b 4-6:594 < 1000 metres		AC53b 4-20 580 < 1000 metres	
	40 °C	50 °C	40 °C	50 °C
075	75 A	68 A	65 A	59 A
085	85 A	78 A	73 A	67 A
100	100 A	100 A	96 A	87 A
140	140 A	133 A	120 A	110 A
170	170 A	157 A	142 A	130 A
200	200 A	186 A	165 A	152 A

7.3 Semiconductor Fuses

Semiconductor fuses can be used with soft starters to reduce the potential for damage to SCRs from transient overload currents and for Type 2 coordination. The soft starters have been tested to achieve Type 2 coordination with semiconductor fuses. Suitable Bussmann and Ferraz/Mersen semiconductor fuses are detailed below.

Model	SCR I ² t (A ² s)	Ferraz/Mersen Fuse European/IEC Style (North American Style)	Bussmann Fuse Square Body (170M)	Bussmann Fuse British Style (BS88)
018	1150	6.6URD30xxxA0063 (A070URD30xxx0063)	170M-1314	63 FE
034	8000	6.6URD30xxxA0125 (A070URD30xxx0125)	170M-1317	160 FEE
042	10500	6.6URD30xxxA0160 (A070URD30xxx0160)	170M-1318	160 FEE
048	15000	6.6URD30xxxA0160 (A070URD30xxx0160)	170M-1318	180 FM
060	18000	6.6URD30xxxA0160 (A070URD30xxx0160)	170M-1319	180 FM
075	51200	6.6URD30xxxA0250 (A070URD30xxx0250)	170M-1321	250 FM
085	80000	6.6URD30xxxA0315 (A070URD30xxx0315)	170M-1321	250 FM
100	97000	6.6URD30xxxA0315 (A070URD30xxx0315)	170M-1321	250 FM
140	168000	6.6URD31xxxA0450 (A070URD31xxx0450)	170M-1322	500 FMM
170	245000	6.6URD31xxxA0450 (A070URD31xxx0450)	170M-3022	500 FMM
200	320000	6.6URD31xxxA0450 (A070URD31xxx0450)	170M-3022	500 FMM

xxx = Blade Type. Contact Ferraz/Mersen for options.



EC DECLARATION OF CONFORMITY

We, the undersigned,

Representative: **LS ELECTRIC Co., Ltd.**
Address: **LS Tower, 127, LS-ro, Dongan-gu,
Anyang-si, Gyeonggi-do,
Korea**

Manufacturer: **LS ELECTRIC Co., Ltd.**
Address: **56, Samseong 4-gil, Mokcheon-eup,
Dongnam-gu, Cheonan-si, Chungcheongnam-do,
Korea**

Certify and declare under our sole responsibility that the following apparatus:

Type of Equipment: **Softstarter**

Model Name: **SSCe / SSCi / SSMe / SSMi series**

Trade Mark: **LS ELECTRIC Co., Ltd.**

The **SSCe/SSCi/SSMe/SSMi** soft starters conform to the relevant Union harmonisation legislation EN 60947-4-2 2012. These soft starters have been type-tested by an independent Notified Body. This equipment is designed, manufactured and fully tested in Christchurch, New Zealand.

This equipment conforms to the European Economic Community Low Voltage Directive 2014/35/EU (Electrical Safety) and EMC Directive 2014/30/EU.

박창근 2021.1.7 (Signature/Date)

Mr. Chang Keun Park / Senior Manager
(Full name / Position)

UL Mark



The UL mark applies to products in the United States and Canada. This mark indicates that UL has tested and evaluated the products and determined that the products satisfy the UL standards for product safety. If a product received UL certification, this means that all components inside the product had been certified for UL standards as well.

CE mark



The CE mark indicates that the products carrying this mark comply with European safety and environmental regulations. European standards include the Machinery Directive for machine manufacturers, the Low Voltage Directive for electronics manufacturers and the EMC guidelines for safe noise control.



www.ls-electric.com

LS ELECTRIC Co., Ltd.

■ Headquarter

LS-ro 127(Hogye-dong) Dongan-gu, Anyang-si, Gyeonggi-Do, 14119, Korea

■ Seoul Office

LS Yongsan Tower, 92, Hangang-daero, Yongsan-gu, Seoul, 04386, Korea

Tel: 82-2-2034-4033, 4888, 4703 Fax: 82-2-2034-4588

E-mail: automation@ls-electric.com

■ Overseas Subsidiaries

• LS ELECTRIC Japan Co., Ltd. (Tokyo, Japan)

Tel: 81-3-6268-8241 E-Mail: jschuna@lselectric.biz

• LS ELECTRIC (Dalian) Co., Ltd. (Dalian, China)

Tel: 86-411-8730-6495 E-Mail: jiheo@lselectric.com.cn

• LS ELECTRIC (Wuxi) Co., Ltd. (Wuxi, China)

Tel: 86-510-6851-6666 E-Mail: sblee@lselectric.co.kr

• LS ELECTRIC Vietnam Co., Ltd.

Tel: 84-93-631-4099 E-Mail: jhchoi4@lselectric.biz (Hanoi)

Tel: 84-28-3823-7890 E-Mail: sjbaik@lselectric.biz (Hochiminh)

• LS ELECTRIC Middle East FZE (Dubai, U.A.E.)

Tel: 971-4-886-5360 E-Mail: salesme@lselectric.biz

• LS ELECTRIC Europe B.V. (Hoofddorp, Netherlands)

Tel: 31-20-654-1424 E-Mail: europartner@lselectric.biz

• LS ELECTRIC America Inc. (Chicago, USA)

Tel: 1-800-891-2941 E-Mail: sales.us@lselectricamerica.com

■ Overseas Branches

• LS ELECTRIC Tokyo Office (Japan)

Tel: 81-3-6268-8241 E-Mail: jschuna@lselectric.biz

• LS ELECTRIC Beijing Office (China)

Tel: 86-10-5095-1631 E-Mail: khpaek@lselectric.com.cn

• LS ELECTRIC Shanghai Office (China)

Tel: 86-21-5237-9977 E-Mail: tsjun@lselectric.com.cn

• LS ELECTRIC Guangzhou Office (China)

Tel: 86-20-3818-2883 E-Mail: chenxs@lselectric.com.cn

• LS ELECTRIC Chengdu Office (China)

Tel: 86-28-8670-3201 E-Mail: yangcf@lselectric.com.cn

• LS ELECTRIC Qingdao Office (China)

Tel: 86-532-8501-2065 E-Mail: wangzy@lselectric.com.cn

• LS ELECTRIC Nanjing Office (China)

Tel: 86-25-8467-0005 E-Mail: ylong@lselectric.com.cn

• LS ELECTRIC Bangkok Office (Thailand)

Tel: 66-90-950-9683 E-Mail: sjleet@lselectric.biz

• LS ELECTRIC Jakarta Office (Indonesia)

Tel: 62-21-2933-7614 E-Mail: dioh@lselectric.biz

• LS ELECTRIC Moscow Office (Russia)

Tel: 7-499-682-6130 E-Mail: jdpark1@lselectric.biz

• LS ELECTRIC America Western Office (Irvine, USA)

Tel: 1-949-333-3140 E-Mail: vwun@lselectricamerica.com

Disclaimer of Liability

LS ELECTRIC has reviewed the information in this publication to ensure consistency with the hardware and software described. However, LS ELECTRIC cannot guarantee full consistency, nor be responsible for any damages or compensation, since variance cannot be precluded entirely. Please check again the version of this publication before you use the product.

© LS ELECTRIC Co., Ltd 2020 All Right Reserved.

LSLV-SSCe / 2021.04

